



BOSCHERT

Das Original!



?

News

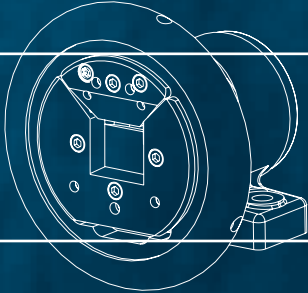


Content



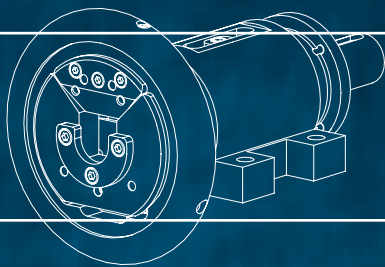
The Manufacturer

Safety Chucks



Sliding-Chucks

Pneumatic Chucks



Safety & Assembly
Test Certificate

Brakes

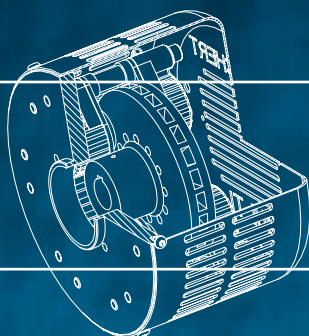
Clutches

Options

Accessoire

Special

Measure & Tolerance



Contact



Helmut Turowski
Sales manager

Tel.: +49 (0) 7621 - 9593 - 36
E-mail: h.turowski@boschert.de



Silvia Schwarzwälder
Sales Safety Chucks

Tel.: +49 (0) 7621 - 9593 - 26
E-mail: s.schwarzwaelder@boschert.de



Sabrina Schleith
Sales Safety Chucks

Tel.: +49 (0) 7621 - 9593 - 74
E-mail: s.schleith@boschert.de



Antoine Pelayo
Designer

Tel.: +49 (0) 7621 - 9593 - 37
E-mail: a.pelayo@boschert.de

Mattenstrasse 1
D-79541 Loerrach-Hauingen

infokl@boschert.de
www.boschert.de

Tel.: +49 (0) 7621 / 9593 0
Fax: +49 (0) 7621 / 5518 4

certificate
no. **DP10114**
dated 18.11.2010

DGUV Test Certificate

Name and address of the holder of the certificate: (customer): Boschert GmbH & Co. KG
Mattenstraße 1
D-79541 Lörrach-Hauingen

Name and address of the Manufacturer: see above

Product designation: Automatic Chucks

Type: 14-20 (Mini)/19-25/22-30/30-40/40-50/50-80

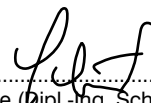
Testing based on: Geräte- und Produktsicherheitsgesetz 01/2004
GS-DP-01 Grundsätze für die Prüfung und Zertifizierung von Druck- und Papierverarbeitungsmaschinen, Anlage 1.2 – Mechanik

The type tested complies with the test basis specified above.
The holder of the certificate is entitled to affix the DGUV Test mark shown overleaf to the products complying with the type tested, including the specification given under the heading 'remarks'

The present certificate including the right to affix the DGUV Test mark is valid until: **17.11.2015**

Further provisions concerning the validity, the extension of the validity and other conditions are laid down in the Rules of Procedure for Testing and Certification of September 2010.




Signature (Dipl.-Ing. Schwind)

Postal address: Postfach • D-65173 Wiesbaden • Office: Rheinstr. 6-8 • D-65185 Wiesbaden
Phone: +49 (0) 611/131-219 • Fax: +49 (0) 611/131-155 • E-Mail: fadp.dp@bgetem.de • Pruefstelle@BGETEM.DE
612.17-Vg/Ho • Test report: A 09128 • Produktschlüsselnummer: 900.2001

DGUV Test mark



1) no. of certificate

Where additional details are given on the certificate, the DGUV Test mark must be supplemented by additional wording reflecting said details. In such cases, the mark may look slightly different from the image shown here.

certificate
no. **DP10115**
dated 18.11.2010

DGUV Test Certificate

Name and address of the holder of the certificate: (customer): Boschert GmbH & Co. KG
Mattenstraße 1
D-79541 Lörrach-Hauingen

Name and address of the Manufacturer: see above

Product designation: Automatic Chucks

Type: A40/A50/A80

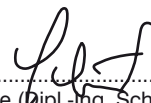
Testing based on: 2006/42/EG Machinery Directive 06/2006
EN 1010-1 Safety of machinery – Safety requirements for the design and construction of printing and paper converting machines, Part 1: common requirements 11/2004
GS-DP-01 Grundsätze für die Prüfung und Zertifizierung von Druck- und Papierverarbeitungsmaschinen, Anlage 1.2 – Mechanik

The type tested complies with the test basis specified above.
The holder of the certificate is entitled to affix the DGUV Test mark shown overleaf to the products complying with the type tested, including the specification given under the heading 'remarks'

The present certificate including the right to affix the DGUV Test mark is valid until: **17.11.2015**

Further provisions concerning the validity, the extension of the validity and other conditions are laid down in the Rules of Procedure for Testing and Certification of September 2010.




Signature (Dipl.-Ing. Schwind)

Postal address: Postfach • D-65173 Wiesbaden • Office: Rheinstr. 6-8 • D-65185 Wiesbaden
Phone: +49 (0) 611/131-219 • Fax: +49 (0) 611/131-155 • E-Mail: fadp.dp@bgetem.de • Pruefstelle@BGETEM.DE
612.17-Vg/Ho • Test report: A 09128 • Produktschlüsselnummer: 900.2001

DGUV Test mark



1) no. of certificate

Where additional details are given on the certificate, the DGUV Test mark must be supplemented by additional wording reflecting said details. In such cases, the mark may look slightly different from the image shown here.



certificate
no. **DP 08143**
dated 31.10.2009

GS Test Certificate

Name and address of the holder of the certificate: **Boschert GmbH & Co. KG**
Mattenstraße 1
(customer) D-79541 Lörrach

Name and address of the Manufacturer: siehe oben

Product designation: **Pneumatic-Chuck**

Type: P 40,P 50

Testing based on: 2006/42/EG Machinery Directive 06/2006
EN 1010-1 Safety of machinery - Safety requirements for the design and construction of printing and paper converting machines, Part 1: common requirements 11/2004


Remarks: This GS Test Certificate replaces the GS Test Certificate DP 08143 dated 12.06.2008.

The type tested meets the requirements specified in article 7 para. 1 sentence 2 of the German Equipment and Product Safety Act. The holder of the certificate is entitled to affix the GS mark shown overleaf to the products complying with the type tested. At that, the holder of the certificate shall observe the conditions specified overleaf.

The present certificate including the right to affix the GS mark will become invalid at the latest on: **11.06.2013**

Further provisions concerning the validity, the extension of the validity and other conditions are laid down in the Rules of Procedure for Testing and Certification of September 2008.



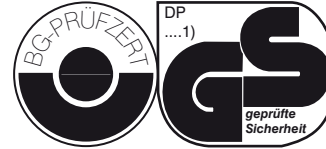

Signature (Dipl.-Ing. Schwind)

Postal address: Postfach • D-65173 Wiesbaden • Office: Rheinstr. 6-8 • D-65185 Wiesbaden
Phone: +49 (0) 611/131-219 • Fax: +49 (0) 611/131-155 • E-Mail: fadp@bgdp.de • Pruefstelle@BGDP.DE
612.17-Eb/Ho • Test report: A 07218 • Produktschlüsselnummer: 009.200515

GS mark



standard design



Approved design for a height of 20 mm or less

1)no. of certificate

1. The holder of the certificate shall comply with the conditions to be observed in the production of the product specified overleaf in order to ensure conformity with the tested type.
 2. The Testing and Certification body of Wahr shall, in regular intervals, carry out control measures for monitoring the production and the correct application of the GS mark.
 3. The person responsible for the production has been obliged to observe the conditions according to 1. and to accept the control measures.
 4. The Testing and Certification Body shall withdraw the allocation of the GS mark from the holder of the certificate if the requirements according to article 7 para. 1 sentence 2 of the German Equipment and Product Safety Act are modified or the conditions according to 1. are not met.
 5. The GS mark shall only be applied and it shall only be used in advertising, if the conditions according to article 7 para. 1, sentence 1 of the German Equipment and Product Safety Act are met.
-

The Manufacturer

1.10 The Manufacturer.....1.10 - 1.12

Safety Chucks

2.0 Overview Safety chucks2.0

2.00 Boschert-Chuck Mini2.00

Boschert-Chuck foot mounted chuck..... 2.01

Boschert-Chuck flange mounted chuck..... 2.02

Boschert-Chuck options 2.03

2.10 Boschert-Chuck 19-25.....2.10

Boschert-Chuck foot mounted chuck..... 2.11

Boschert-Chuck flange mounted chuck..... 2.12

Boschert-Chuck options 2.13

2.20 Boschert-Chuck 22-30.....2.20

Boschert-Chuck foot mounted chuck..... 2.21

Boschert-Chuck flange mounted chuck..... 2.22

Boschert-Chuck options 2.23

2.30 Boschert-Chuck 30-40.....2.30

Boschert-Chuck foot mounted chuck..... 2.31

Boschert-Chuck flange mounted chuck..... 2.32

Boschert-Chuck options 2.33

2.40 Boschert-Chuck 40-50.....2.40

Boschert-Chuck foot mounted chuck..... 2.41

Boschert-Chuck flange mounted chuck..... 2.42

Boschert-Chuck options 2.43

2.50 Boschert-Chuck 50-80.....2.50

Boschert-Chuck foot mounted chuck..... 2.51

Boschert-Chuck flange mounted chuck..... 2.52

Boschert-Chuck options 2.53

2.54 Construction Boschert-Chuck2.54

Construction Chuck type C..... 2.54

Construction Chuck type VT..... 2.55

2.60 Info wearing-parts.....2.60

Info wearing-parts 2.61

Safety Chucks

2.70	Boschert-Chuck 80-120	2.70
	Boschert-Chuck foot mounted chuck.....	2.71
	Boschert-Chuck flange mounted chuck.....	2.72
	Boschert-Chuck options	2.73
2.80	Boschert-Chuck 120-180	2.80
	Boschert-Chuck foot mounted chuck.....	2.81
	Boschert-Chuck flange mounted chuck.....	2.82
	Boschert-Chuck options	2.83
2.90	Boschert-Chuck 170-230	2.90
	Boschert-Chuck foot mounted chuck.....	2.91
	Boschert-Chuck flange mounted chuck.....	2.92
	Boschert-Chuck options	2.93

Sliding-Chucks

3.0	Overview Sliding-Chucks	3.0
3.00	Boschert-Sliding-Chuck	3.00
	Boschert-Sliding-Chuck foot mounted	3.01
	Boschert-Sliding-Chuck flange mounted	3.02
	Dimension sheet Sliding-Chuck foot mounted.....	3.03 - 3.04
	Dimension sheet Sliding-Chuck flange mounted.....	3.05 - 3.06
	Construction Sliding-Chuck.....	3.07
3.10	Boschert-Sliding-Chuck with axial fixed drive	3.10
	Foot mounted chuck / flange mounted chuck	3.10
	Construction Sliding-Chuck with axial fixed drive	3.11
3.20	Boschert-Sliding-Chuck with motorized adjustment	3.20
	Foot mounted chuck.....	3.20
	Flange mounted chuck.....	3.21
	Construction Sliding-Chuck with motorized adjustment.....	3.22
3.30	Boschert-Sliding-Chuck for motorized adjustment foot mounted chuck	3.30
	Foot mounted chuck.....	3.30
	Flange mounted chuck.....	3.31
	Construction Sliding-Chuck for motorized adjustment	3.32
	Boschert-Sliding-Chuck options.....	3.80 - 3.81
	Dimensions axial locking in sliding chuck.....	3.82
	Driver discs.....	3.83 - 3.84
	Comment to operation of chucks	3.90
	Fixing positions Sliding-Chuck	3.91

Pneumatic Safety Chucks

4.00	Overview pneumatic Safety Chucks	4.00
4.20	Boschert-Chuck A40	4.20
	Boschert-Chuck foot mounted.....	4.21
	Boschert-Chuck flange mounted.....	4.22
	Boschert-Chuck options	4.23
4.30	Boschert-Chuck A50	4.30
	Boschert-Chuck foot mounted.....	4.31
	Boschert-Chuck flange mounted.....	4.32
	Boschert-Chuck options	4.33
4.40	Boschert-Chuck A80	4.40
	Boschert-Chuck foot mounted.....	4.41
	Boschert-Chuck flange mounted.....	4.42
	Boschert-Chuck options	4.43
4.44	Construction Chuck type A	4.44
4.60	Boschert-Chuck P40	4.60
	Boschert-Chuck foot mounted.....	4.61
	Boschert-Chuck flange mounted.....	4.62
	Boschert-Chuck options	4.63
4.70	Boschert-Chuck P50	4.70
	Boschert-Chuck foot mounted.....	4.71
	Boschert-Chuck flange mounted.....	4.72
	Boschert-Chuck options	4.73
4.74	Construction Chuck type P	4.74

Safety & Installation

5.00	Assembly Instruction	5.00 - 5.02
	Users manual	5.03 - 5.05
	Info wearing-parts	5.06
	Maintenance inspection suggestions	5.07
5.10	Safety information	5.10 - 5.12
5.20	Trouble shooting	5.20 - 5.21
	Test certificate	attachment

Brakes

6.00	Brake schedule	6.00
6.10	Single disc brake type ESB mini	6.10
	ESB mini manual / ESB mini pneumatic	6.11
	ESB mini and membrane cylinder I	6.12
	ESB mini wearing-parts	6.13
	ESB Mini performance diagrams.....	6.14
6.20	Single disc brake type ESB	6.20
	ESB manual / ESB pneumatic	6.21
	ESB and membrane cylinder I / II.....	6.22
	Overall dimension ESB with Sliding-, A- and P-Chuck.....	6.23
	ESB performance diagrams type 19-25/22-30/30-40.....	6.24
	ESB performance diagrams type 40-50	6.25
	ESB manual wearing-parts	6.26
	ESB pneumatic wearing-parts	6.27
	ESB membrane I wearing-parts.....	6.28
	ESB membrane II wearing-parts.....	6.29
6.40	Double disc brake type DSB	6.40
	DSB manual / DSB pneumatic.....	6.41
	DSB membrane cylinder I / DSB membrane cylinder II.....	6.42
	Overall dimension DSB with Sliding-, A- and P-chuck	6.43
	DSB performance diagrams type 30-40/40-50/50-80.....	6.44
	DSB manual wearing-parts	6.45
	DSB pneumatic wearing-parts.....	6.46
	DSB membrane cylinder I wearing-parts.....	6.47
	DSB membrane cylinder II wearing-parts.....	6.48
6.70	MULTI type 500 / 1500 / 3000	6.70
	MULTI	6.71
	Overall dimension MULTI with Sliding-, A- and P-Chuck.....	6.72
	Multi performance diagrams type 500 / 1500 / 3000.....	6.73
	MULTI wearing-parts	6.74

Clutches

7.0	Clutch schedule	7.0
7.00	Clutch type mini	7.00
	Clutch mini manual / pneumatic	7.01
	Clutch mini and membrane cylinder I	7.02
	Clutch mini performance diagrams	7.03
	Clutch mini manual wearing-parts	7.04
	Clutch mini pneumatic wearing-parts	7.05
	Clutch mini membrane I wearing-parts	7.06
7.20	Clutch type 22-30 to 40-50	7.20
	Clutch manual / pneumatic	7.21
	Clutch with membrane cylinder I	7.22
	Clutch performance diagrams	7.23
	Clutch manual wearing-parts	7.24
	Clutch pneumatic wearing-parts	7.25
	Clutch pneumatic wearing-parts	7.26

Options

8.00	Overview Options	8.00
	Foot mounted chucks for 90° mounting	8.01
	Extended Chucks type 30 - 40 flange and foot mounted	8.10
	Extended Chucks type 40 - 50 flange and foot mounted	8.11
	Extended opening angle +/- 30°	8.20
	Handwheel lock	8.30 - 8.31
	Chuck with automatic and continuous airshaft inflation	8.41
	Safety Chuck with hydraulic opening / closing	8.50
	Monitoring: chuck opening positioning	8.60
	Chuck with handwheel open/close recognition	8.61

Accessories

9.00 Aluminium Cones	
Aluminium Cones model I - VII	9.00
Aluminium Cones model VIII - XIII	9.01
9.10 Overview Slide axial / radial	9.10
9.20 Axial / radial slide	
Axial Slide small active.....	9.20
Axial Slide small passive.....	9.21
Axial Slide big active	9.30
Axial Slide big passive	9.31
Axial Slide small with motor adjustment.....	9.40
Axial Slide big with motor adjustment	9.41
Radial Slide small active	9.60
Radial Slide big active.....	9.61
9.80 Tension Control Easy Wind	9.80

Examples for special solutions

10.00 Overview special solutions	10.00
Twin STO Chucks.....	10.01
Chuck with ESB brake and intermediate gearbox	10.02
Spring-loaded brake	10.03
Installation of Boschert-Chucks in existing winding unit.....	10.04

Measures & Tolerances

11.00 Winding Beam Dimensions	
Length Tolerances.....	11.00
Journal C / VT1 / VT2	11.10
Journal VT6	11.11
Journal VT7	11.12
11.20 Dimension Sheet VT-inserts	11.20
11.30 Connecting dimensions Mini - 50-80	11.30

Boschert

60 Years of partnership with our customers

Customer service, reliability, quality and flexibility are the foundation of our company for more than 60 years. As a customer you become a part of our team from the beginning. You have our complete attention to fulfill your requirements. We listen to you. We act, innovate, and react quickly.

Rest assured you have found the best source of knowledge for safety chucks. You can trust us to solve the technical problems of your application. You can expect our technicians and engineers to provide you with the best and safest solution for your application. We have decades of service at your command.

It is our goal to offer all our customers, all over the world, the best solution possible. This is the secret to our success for over half a century. We welcome you as a customer and invite you to join our team. We are the standard of the industry. We are the most renowned safety chuck manufacturer through out the world.

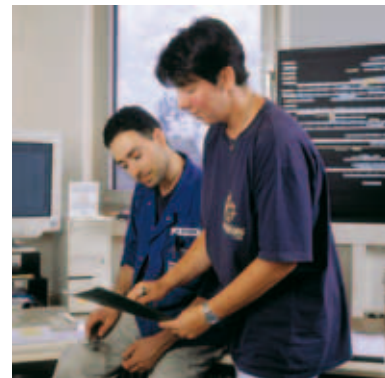
We are always available for you.





Fast, reliable and professional customer service

New orders are scheduled with the production department and a shipment date is established.



Our new computer aided design software helps to speed up solutions for customers special requirements.

Our parts are manufactured with the most modern equipment and technology available today.



Constant precise quality is gained with CNC controlled machines.



Prefabricated sub assemblies allow parts to be machined to customers specification providing better flexibility of delivery time.

Rigid quality control during production.

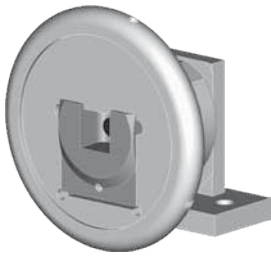


Final assembly of Boschert Safety Chucks.

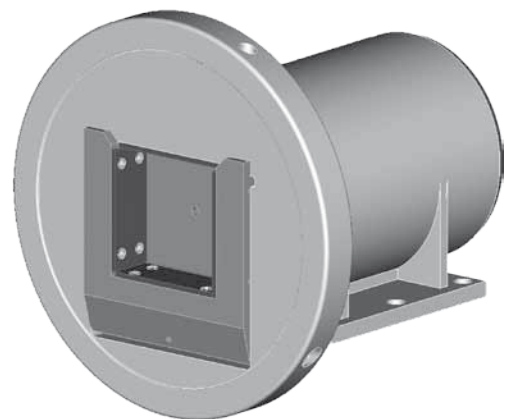
The final step is the application of safety labels. From here the shipment of the Safety Chuck joins a world of Boschert Safety Chucks.



2.0 Overview Safety chucks



<i>Model</i>	<i>max. beam weight / kg</i>	<i>max. torque / Nm</i>	<i>Square bar / mm</i>	<i>Standard square bar / mm</i>	<i>Type C</i>	<i>Type VT</i>	<i>Info</i>
Mini	150	40	14-20	20	x		2.00
19-25	400	120	19-25	25	x		2.10
22-30	800	180	22-30	30	x	x	2.20
30-40	1600	350	30-40	40	x	x	2.30
40-50	2800	1100	40-50	50	x	x	2.40
50-80	7000	2350	50-80	80		x	2.50
80-120	12000	10000	80-120	120		x	2.70
120-180	22000	20000	120-180	180		x	2.80
170-230	64000	41000	170-230	230		x	2.90



2.00 Boschert-Chuck Mini



Mini STO

Boschert foot mounted chuck without shaft end

Mini STW

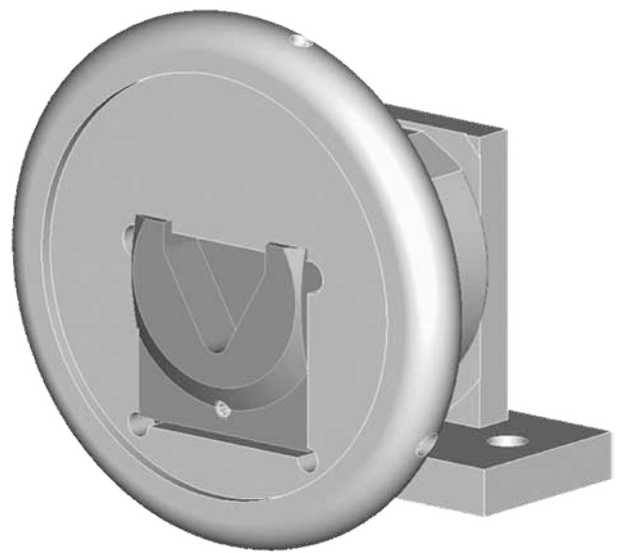
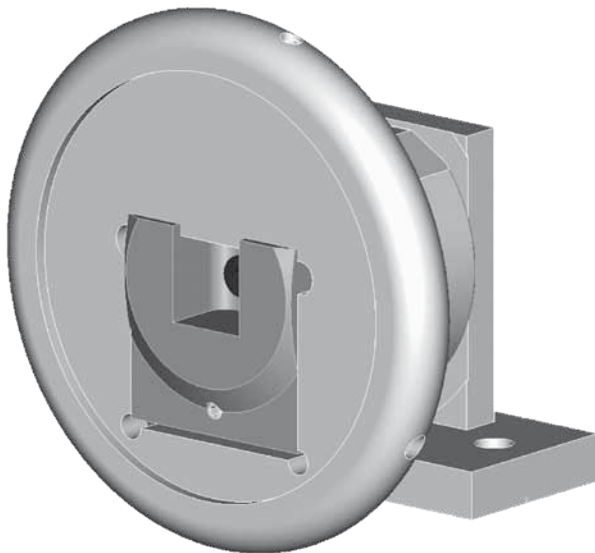
Boschert foot mounted chuck with shaft end

Mini FLO

Boschert flange mounted chuck without shaft end

Mini FLW

Boschert flange mounted chuck with shaft end



Square bar:

□ 14 mm - 20 mm (0.5512" - 0.7874")

Standard square bar:

□ 20 mm (0.7874")

max. beam weight:

□ 150 kg □ (330 lbs)

max. torque:

↻ 40 Nm (29.5 ft/lb)

max. rpm:

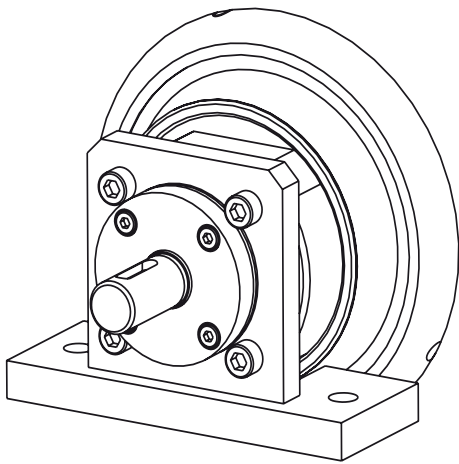
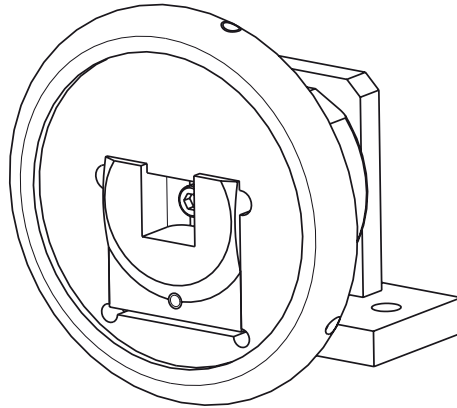
1350 min⁻¹

		Info
Type:	C	2.54
Journal shaft type:	square bar / triangle	2.03
Shaft end:	standard	2.03
Add. parts:	brakes	6.00
	clutches	7.00

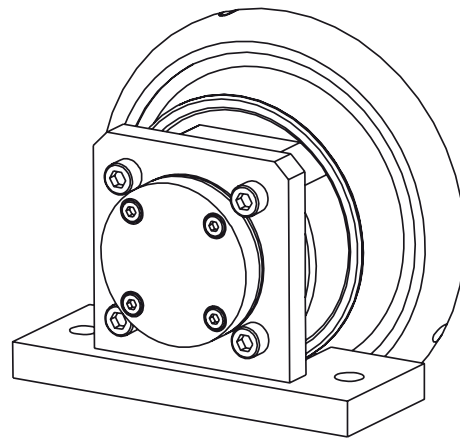
Boschert-Chuck Mini foot mounted



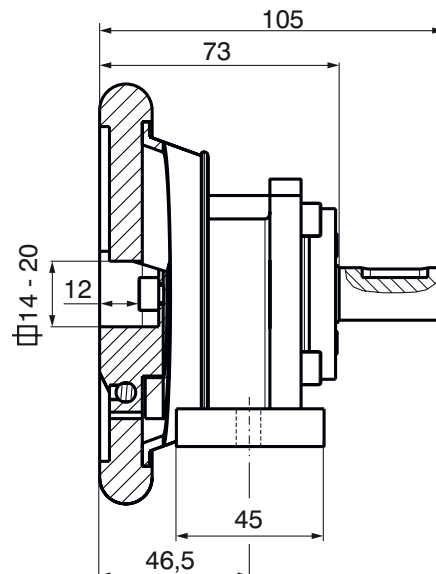
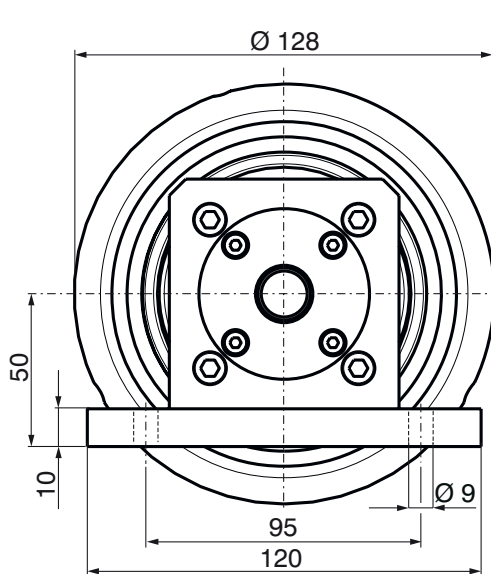
Boschert-Chuck Mini type C



STW Mini
chuck with shaft end



STO Mini
chuck without shaft end



Shaft end details page 2.03

2.01

Mattenstrasse 1
D-79541 Loerrach-Hauingen

infokl@boschert.de
www.boschert.de

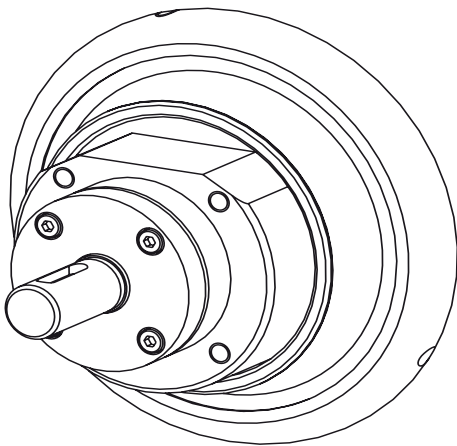
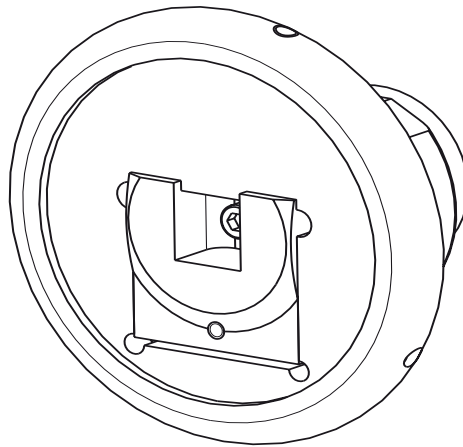
Tel.: +49 (0) 7621 / 9593 0
Fax: +49 (0) 7621 / 5518 4

Changes reserved (a)

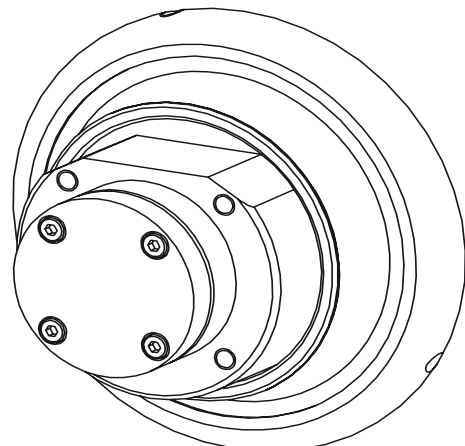
Boschert-Chuck Mini flange mounted



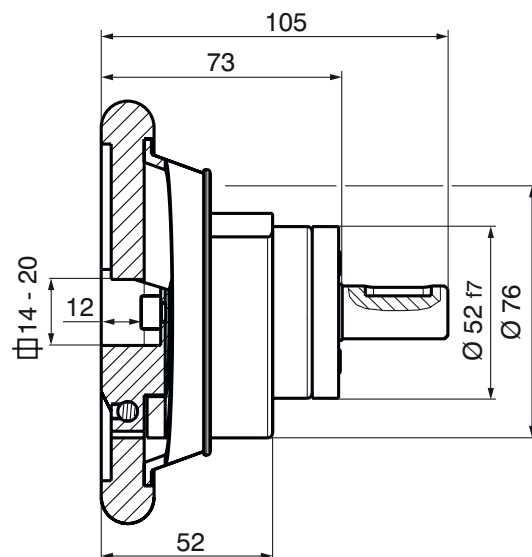
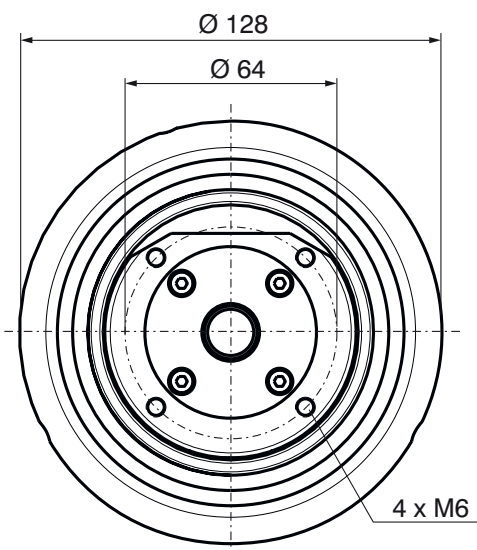
Boschert-Chuck Mini type C



FLW Mini
chuck with shaft end



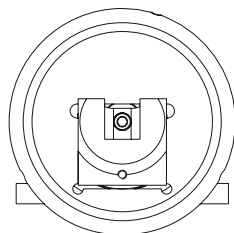
FLO Mini
chuck without shaft end



Shaft end details page 2.03

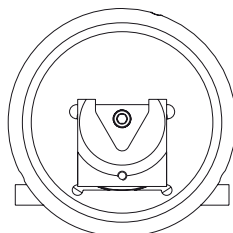
Boschert-Chuck Mini options

Journal shaft type



square bar

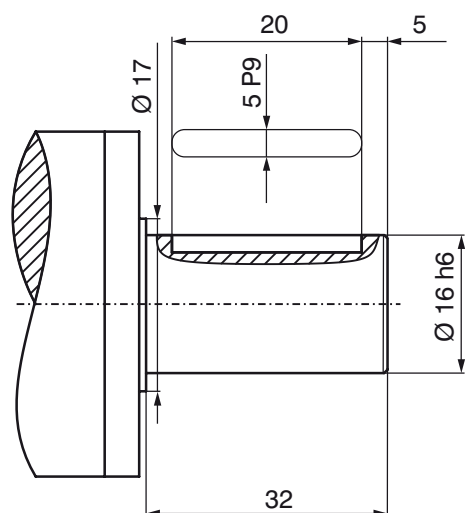
Info: 11.10



triangle

Info: 11.11

Shaft end



Standard shaft end

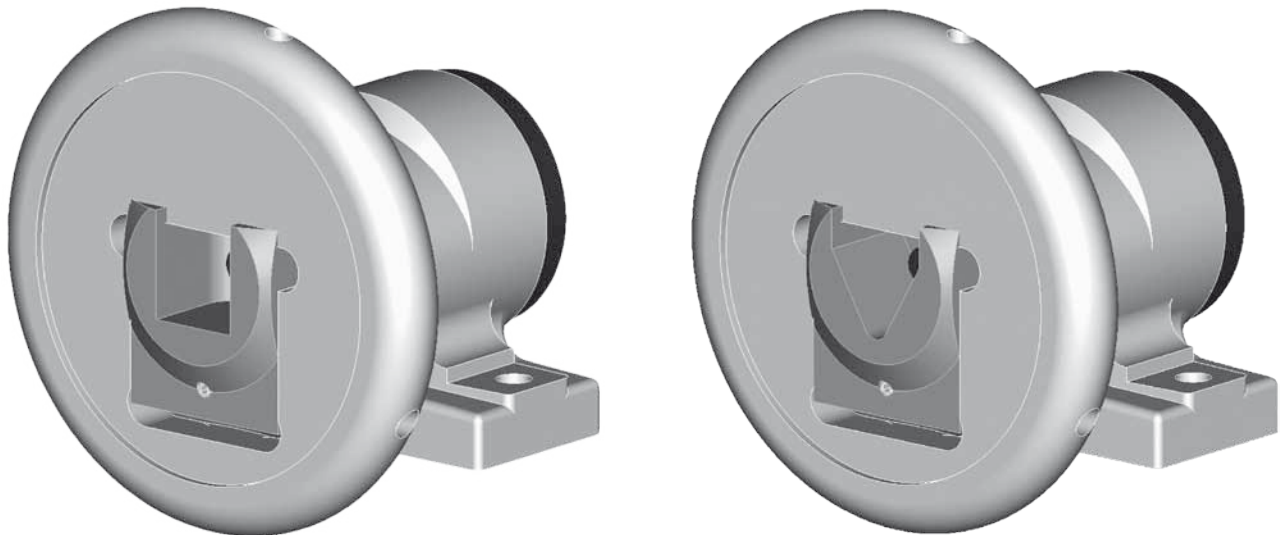
Special shaft ends per customer request

Max. shaft-dia.: Ø 17 mm
(special shaft without stop)

2.10 Boschert-Chuck 19-25



- 19-25 STO** *Boschert* foot mounted chuck without shaft end
19-25 STW *Boschert* foot mounted chuck with shaft end
19-25 FLO *Boschert* flange mounted chuck without shaft end
19-25 FLW *Boschert* flange mounted chuck with shaft end



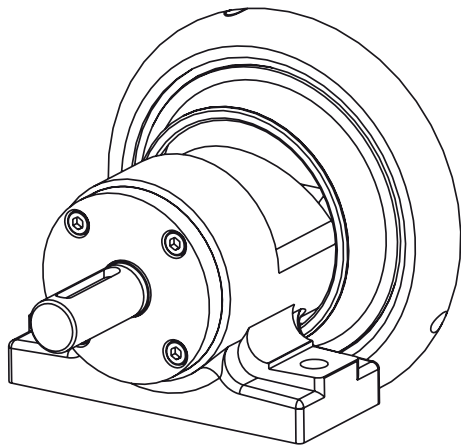
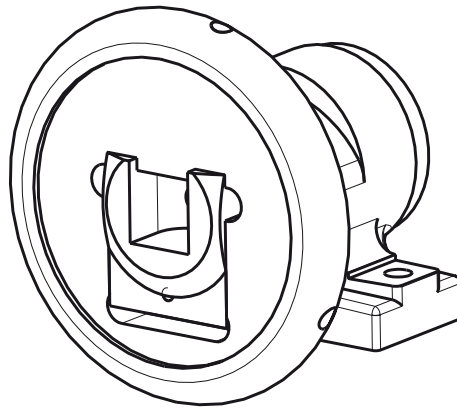
- Square bar:** □ 19 mm - 25 mm (0.748" - 0.9843")
Standard square bar: □ 25 mm (0.9843")
max. beam weight: □ 400 kg □ (880 lbs)
max. torque: ↻ 120 Nm (88.5 ft/lb)
max. rpm: 1350 min⁻¹

		Info
Type:	C	2.54
Journal shaft type:	square bar / triangle	2.13
Shaft end:	standard	2.13
Add. parts:	brakes	6.00
	clutches	7.00

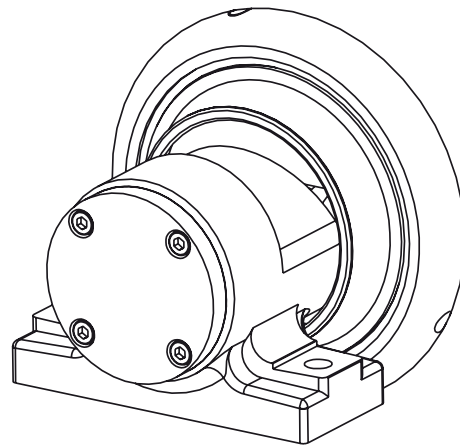
Boschert-Chuck 19-25 foot mounted



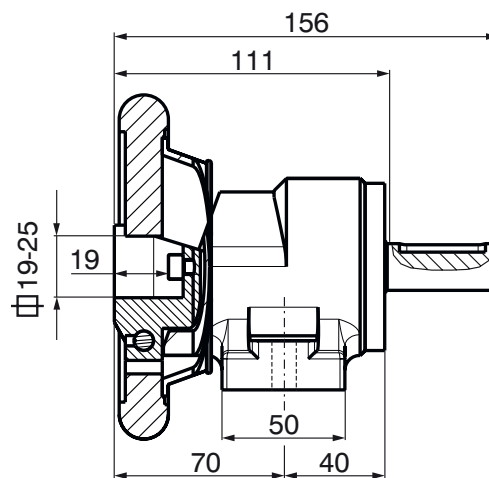
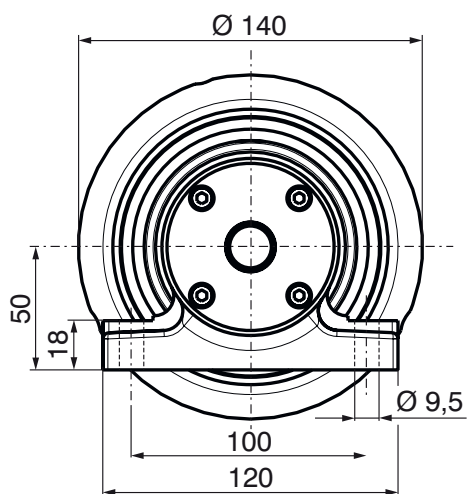
Boschert-Chuck 19-25 type C



STW 19-25
chuck with shaft end



STO 19-25
chuck without shaft end

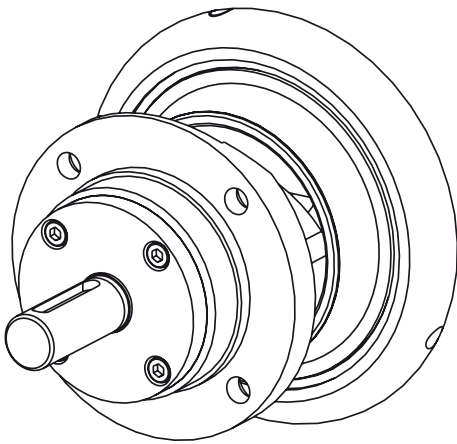
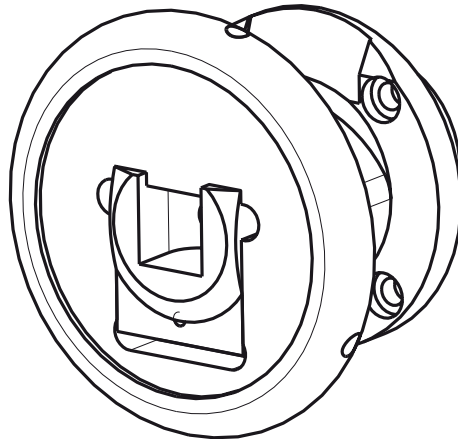


Shaft end details page 2.13

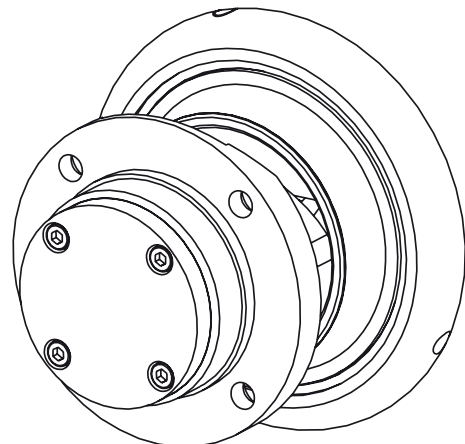
Boschert-Chuck 19-25 flange mounted



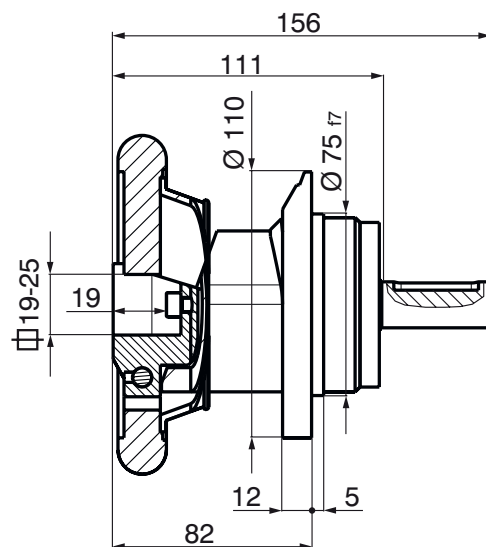
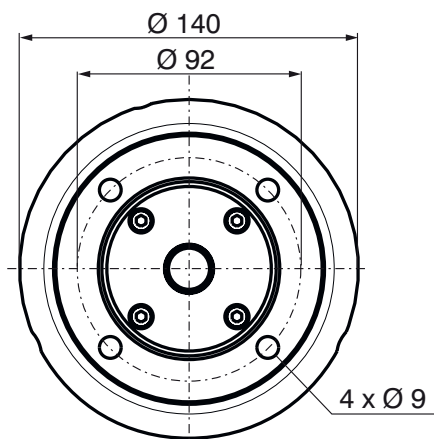
Boschert-Chuck 19-25 type C



FLW 19-25
chuck with shaft end



FLO 19-25
chuck without shaft end

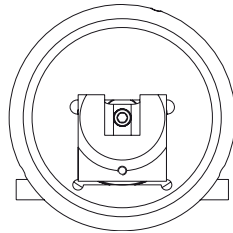


Shaft end details page 2.13

Boschert-Chuck 19-25 options

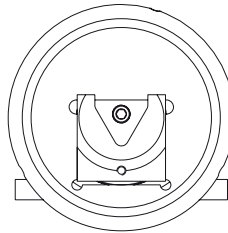


Journal shaft type



square bar

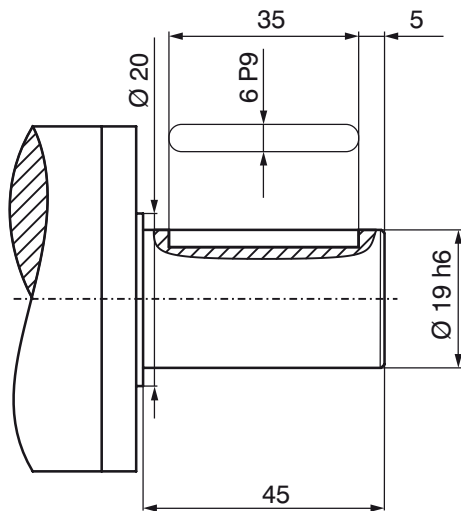
Info: 11.10



triangle

Info: 11.11

Shaft end

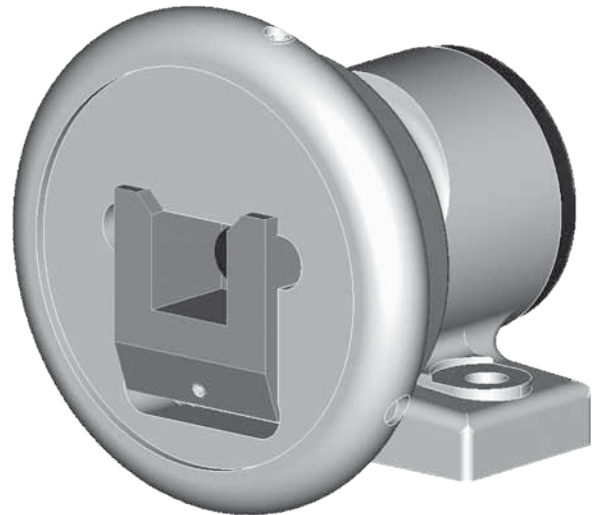
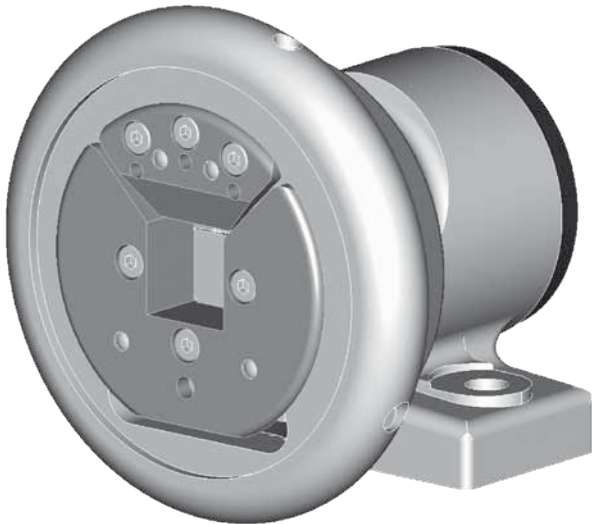


Standard shaft end

Special shaft ends per customer request

Max. shaft-dia.: Ø 25 mm
(special shaft without stop)

- 22-30 STO** *Boschert* foot mounted chuck without shaft end
22-30 STW *Boschert* foot mounted chuck with shaft end
22-30 FLO *Boschert* flange mounted chuck without shaft end
22-30 FLW *Boschert* flange mounted chuck with shaft end



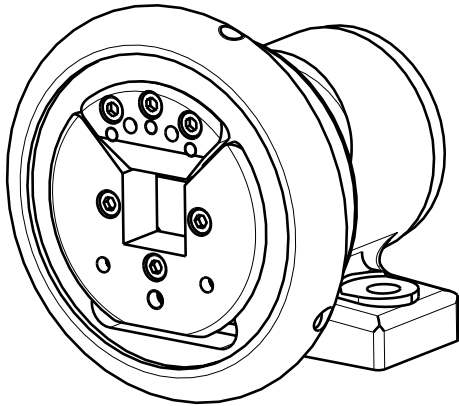
- Square bar:** □ 22 mm - 30 mm (0.8661" - 1.1811")
Standard square bar: □ 30 mm (1.1811")
max. beam weight: □ 800 kg □ (1760 lbs)
max. torque: ↻ 180 Nm (132.8 ft/lb)
max. rpm: 1350 min⁻¹

		Info
Type:	VT	2.55
	C	2.54
Journal shaft type VT:	VT1 / VT2 / VT6 / VT7	2.23
Shaft end:	standard	2.23
Handwheel lock:	HRV I (left/right)	2.23
Special models:	90° mounting	8.01
Add. parts:	brakes	6.00
	clutches	7.00

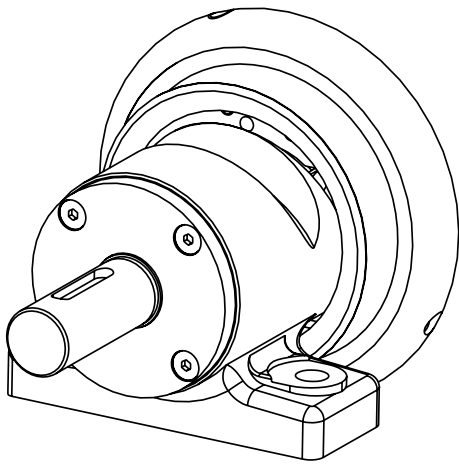
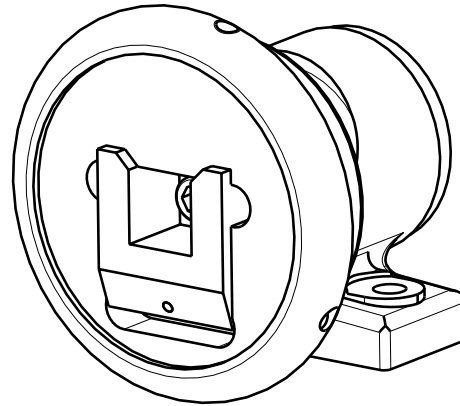
Boschert-Chuck 22-30 foot mounted



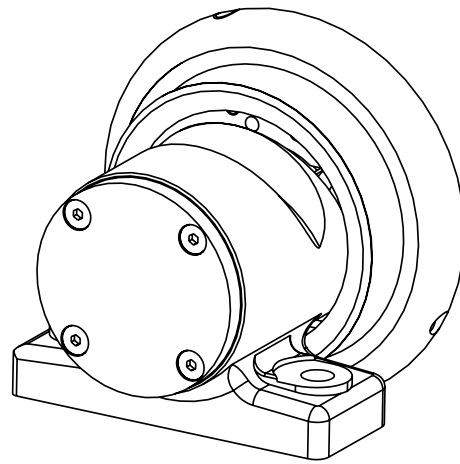
Boschert-Chuck 22-30 type VT



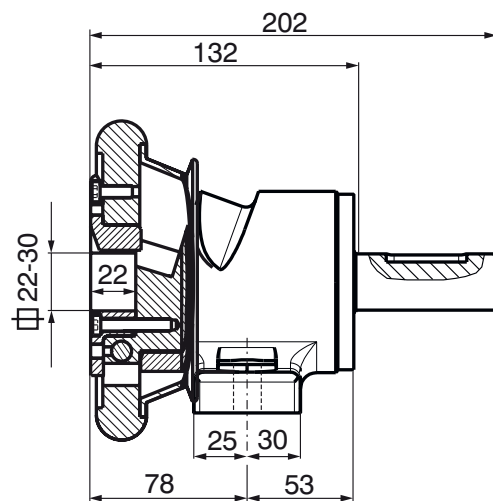
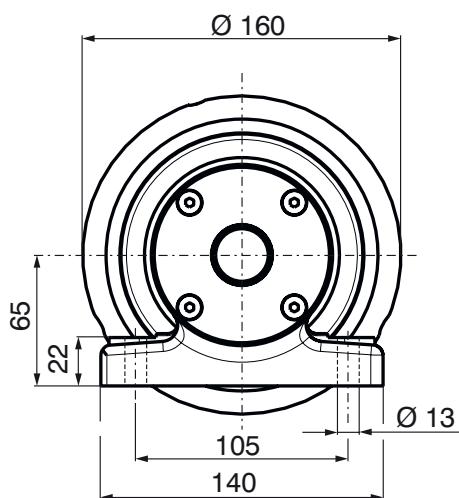
Boschert-Chuck 22-30 type C



STW 22-30
chuck with shaft end



STO 22-30
chuck without shaft end

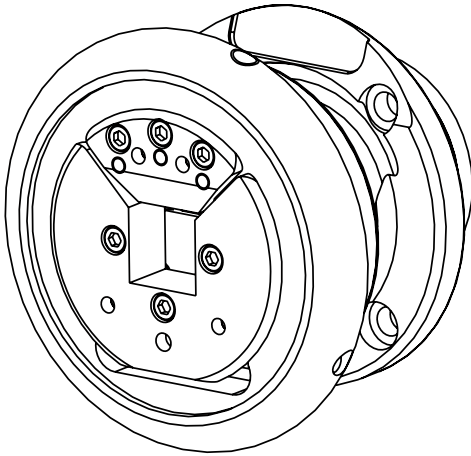


Shaft end details page 2.23

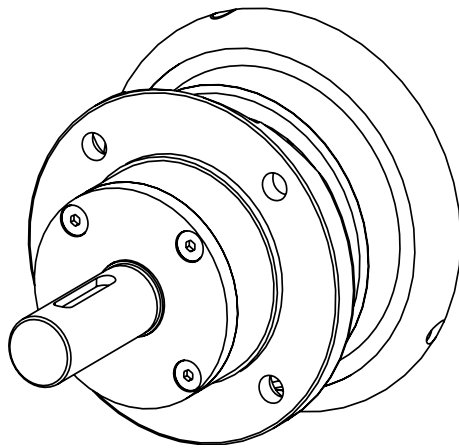
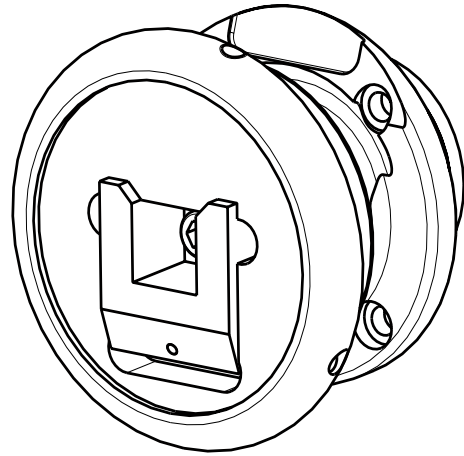
Boschert-Chuck 22-30 flange mounted



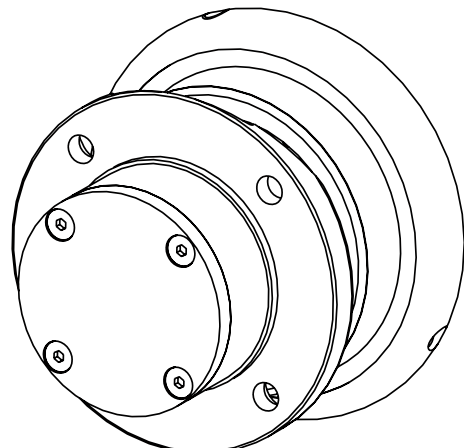
Boschert-Chuck 22-30 type VT



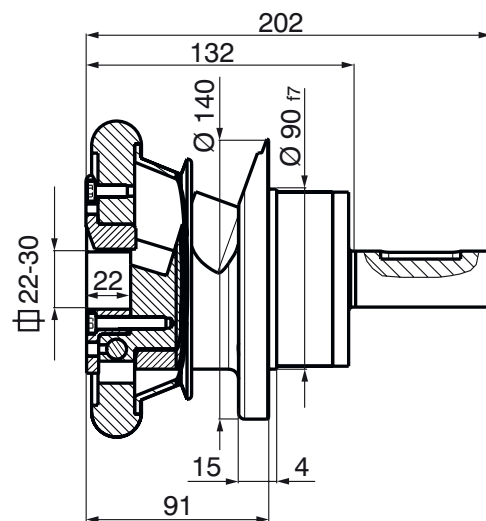
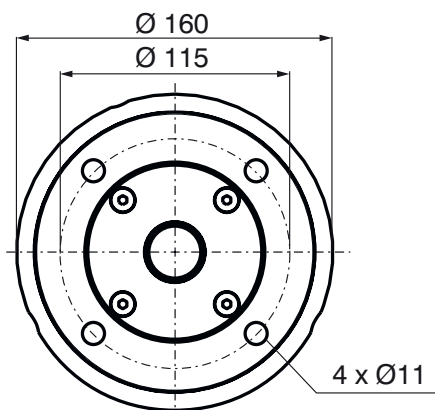
Boschert-Chuck 22-30 type C



FLW 22-30
chuck with shaft end



FLO 22-30
chuck without shaft end

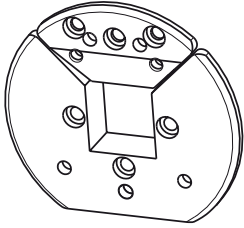


Shaft end details page 2.23

Boschert-Chuck 22-30 options

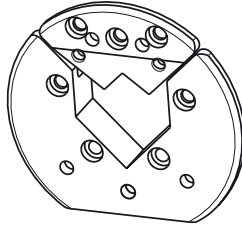


Journal shaft type



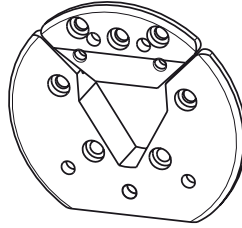
VT 1

Info: 11.10



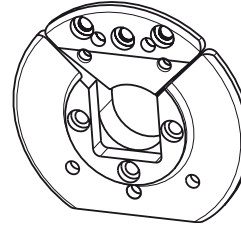
VT 2

Info: 11.10



VT 6

Info: 11.11



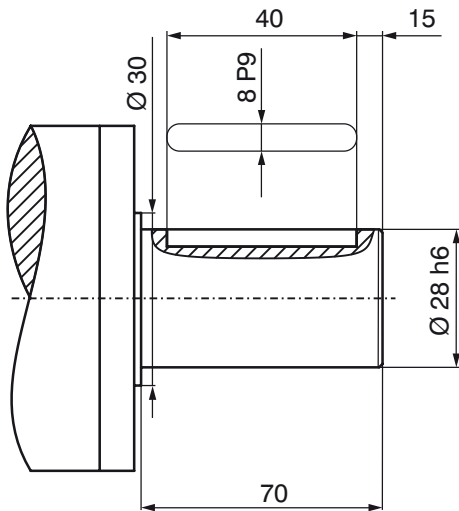
VT 7

Info: 11.12

Note at VT2 and VT7 Chucks:
 max. weight = 0.8 x catalogue value
 max. torque = 0.7 x catalogue value

Info
11.20

Shaft end

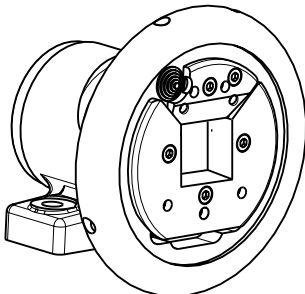


Standard shaft end

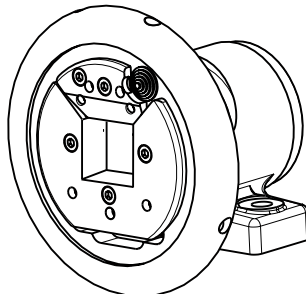
Special shaft ends per customer request

Max. shaft-dia.: Ø 35 mm
 (special shaft without stop)

Handwheel lock



HRV I left



HRV I right

Info
8.30

Info
8.31

Due to safety reasons we recommend handwheel locks on applications in turret winders.

2.30 Boschert-Chuck 30-40



- 30-40 STO** *Boschert* foot mounted chuck without shaft end
30-40 STW *Boschert* foot mounted chuck with shaft end
30-40 FLO *Boschert* flange mounted chuck without shaft end
30-40 FLW *Boschert* flange mounted chuck with shaft end



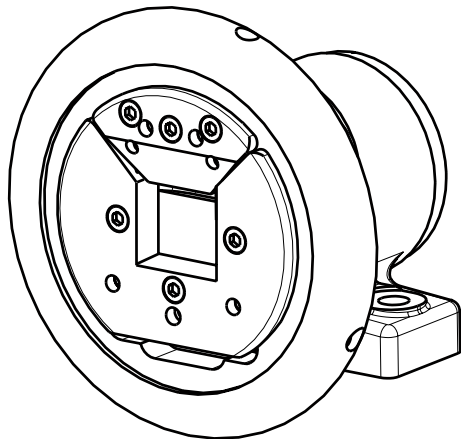
- Square bar:** □ 30 mm - 40 mm (1.1811" - 1.5748")
Standard square bar: □ 40 mm (1.5748")
max. beam weight: □ 1600 kg □ (3530 lbs)
max. torque: ↻ 350 Nm (258.1 ft/lb)
max. rpm: 1350 min⁻¹

		Info
Type:	VT	2.55
	C	2.54
Journal shaft type VT:	VT1 / VT2 / VT6 / VT7	2.33
Shaft end:	standard	2.33
Handwheel lock:	HRV II (left/right)	2.33
Special models:	90° mounting	8.01
	extended chuck	8.10
Add. parts:	brakes	6.00
	clutches	7.00

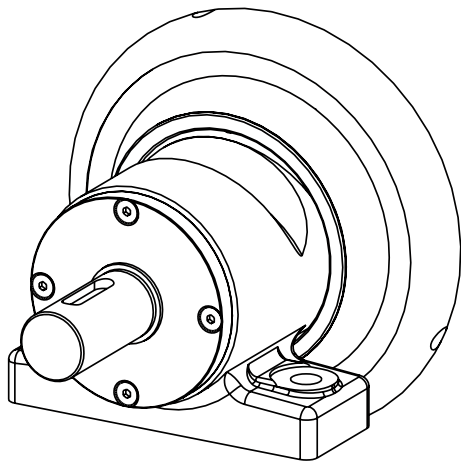
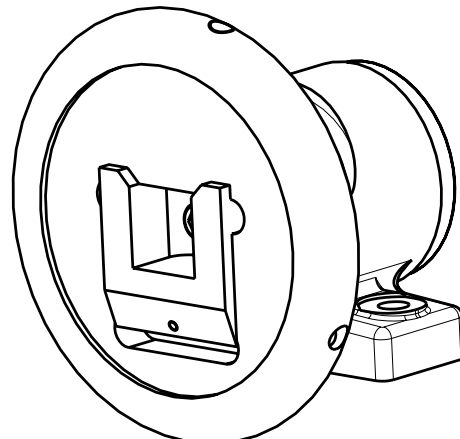
Boschert-Chuck 30-40 foot mounted



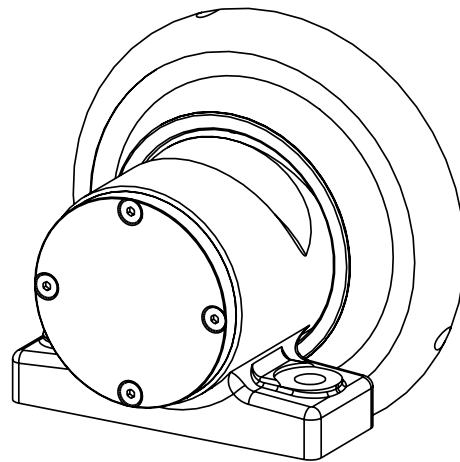
Boschert-Chuck 30-40 type VT



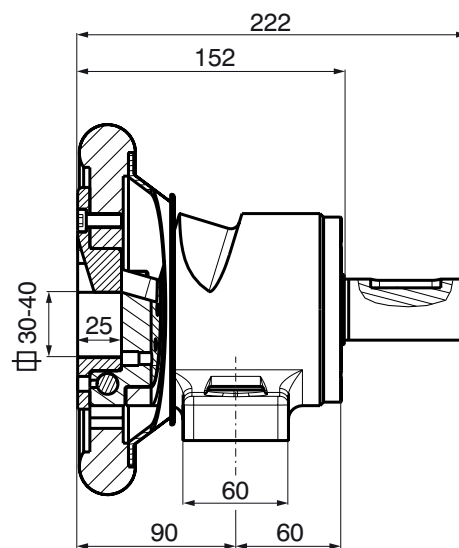
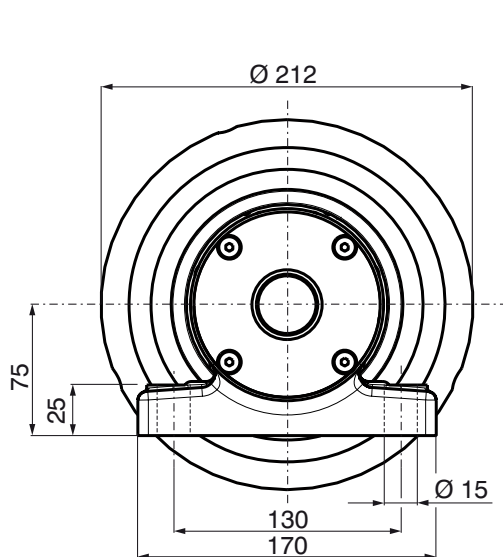
Boschert-Chuck 30-40 type C



STW 30-40
chuck with shaft end



STO 30-40
chuck without shaft end

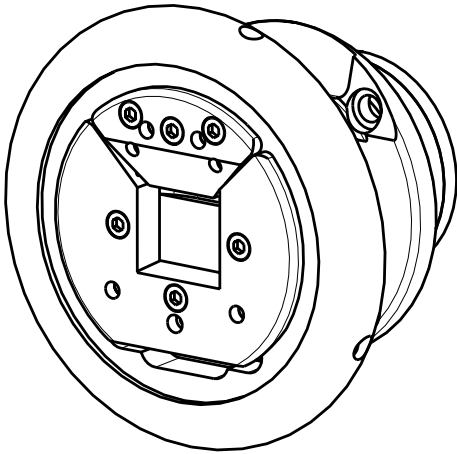


Shaft end details page 2.33

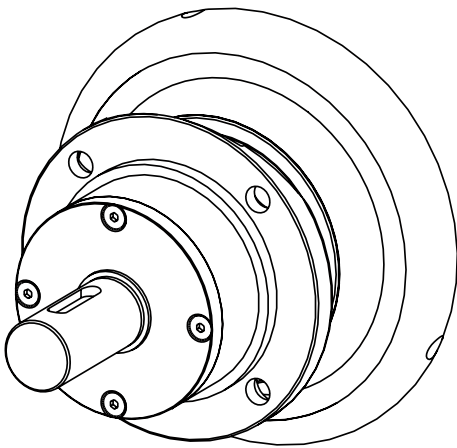
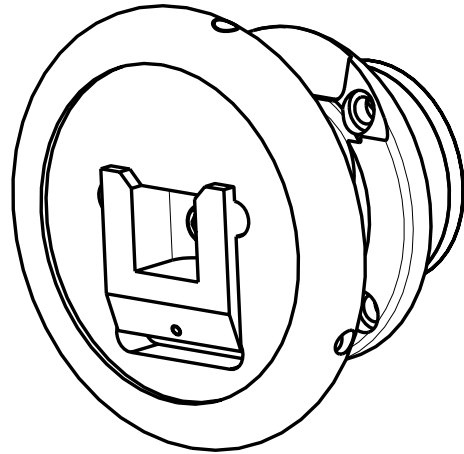
Boschert-Chuck 30-40 flange mounted



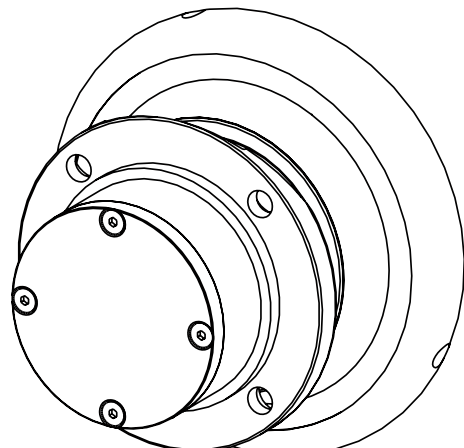
Boschert-Chuck 30-40 type VT



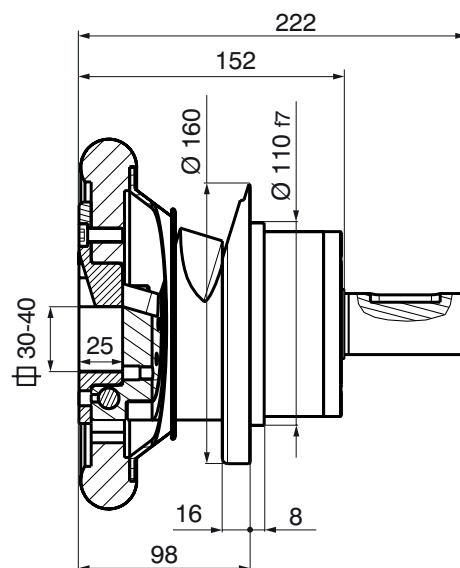
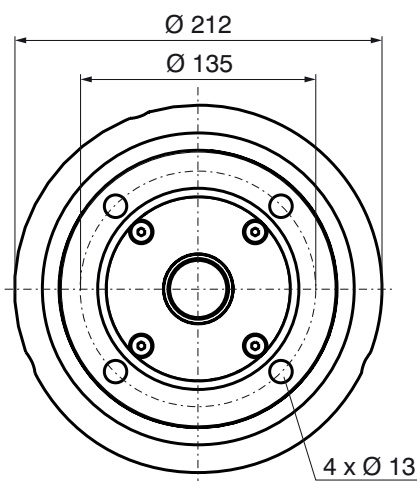
Boschert-Chuck 30-40 type C



FLW 30-40
chuck with shaft end



FLO 30-40
chuck without shaft end

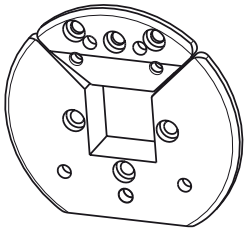


Shaft end details page 2.33

Boschert-Chuck 30-40 options

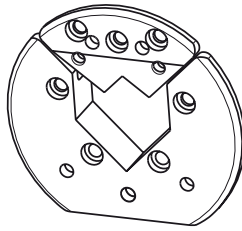


Journal shaft type



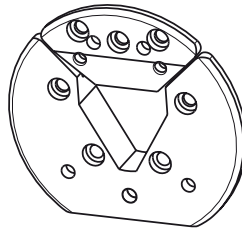
VT 1

Info: 11.10



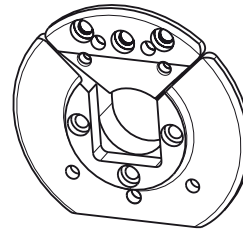
VT 2

Info: 11.10



VT 6

Info: 11.11



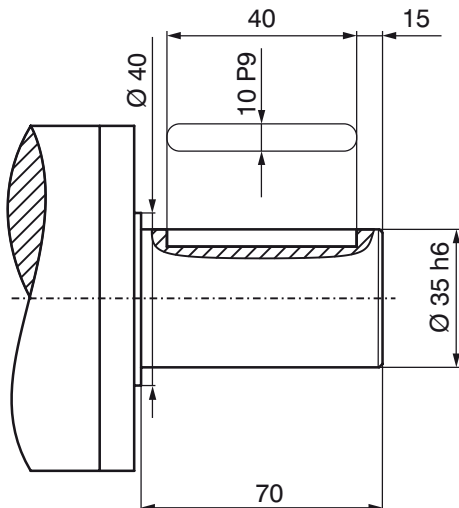
VT 7

Info: 11.12

Note at VT2 and VT7 Chucks:
max. weight = 0.8 x catalogue value
max. torque = 0.7 x catalogue value

Info
11.20

Shaft end

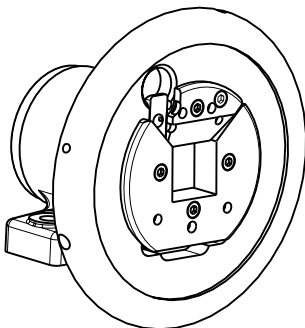


Standard shaft end

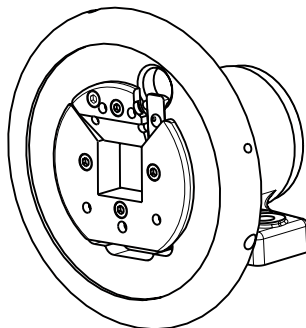
Special shaft ends per customer request

Max. shaft-dia.: Ø 50 mm
(special shaft without stop)

Handwheel lock



HRV II left



HRV II right

Info
8.30

Info
8.31

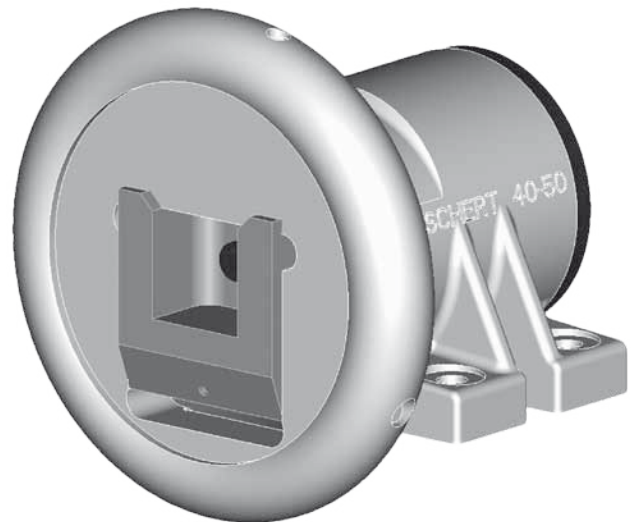
**Due to safety reasons we recommend
handwheel locks on applications in turret winders.**

Handwheel-diameter on chucks with lock type II: Ø 250 mm

2.40 Boschert-Chuck 40-50



- 40-50 STO** *Boschert* foot mounted chuck without shaft end
40-50 STW *Boschert* foot mounted chuck with shaft end
40-50 FLO *Boschert* flange mounted chuck without shaft end
40-50 FLW *Boschert* flange mounted chuck with shaft end



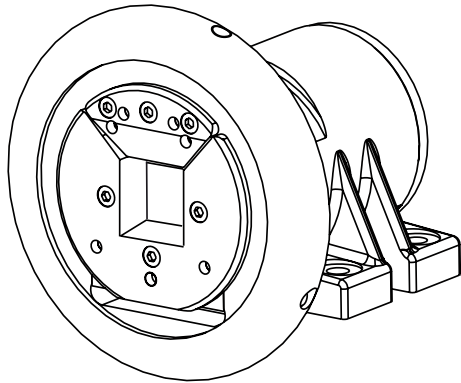
- Square bar:** □ 40 mm - 50 mm (1.5748" - 1.9685")
Standard square bar: □ 50 mm (1.9685")
max. beam weight: □ 2800 kg □ (6170 lbs)
max. torque: ↻ 1100 Nm (800 ft/lb)
max. rpm: 1350 min⁻¹

		Info
Type:	VT	2.55
	C	2.54
Journal shaft type VT:	VT1 / VT2 / VT6 / VT7	2.43
Shaft end:	Standard	2.43
Handwheel lock:	HRV II (left/right)	2.43
Special models:	90° mounting	8.01
	extended chuck	8.11
Add. parts:	brakes	6.00
	clutches	7.00

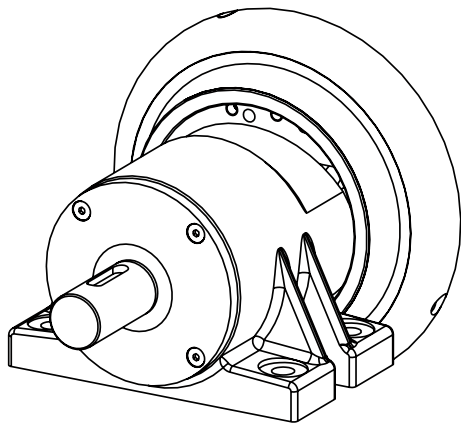
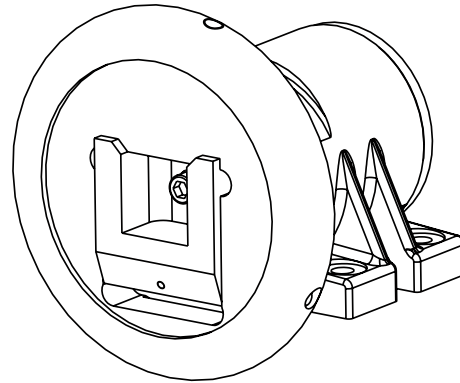
Boschert-Chuck 40-50 foot mounted



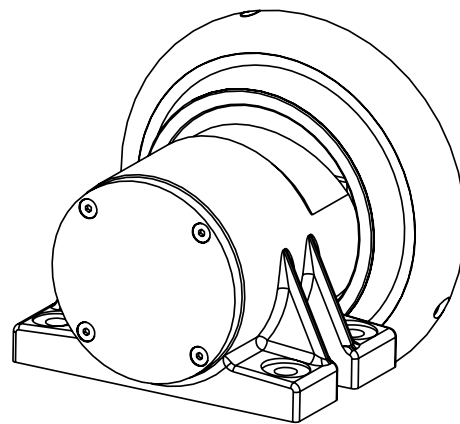
Boschert-Chuck 40-50 type VT



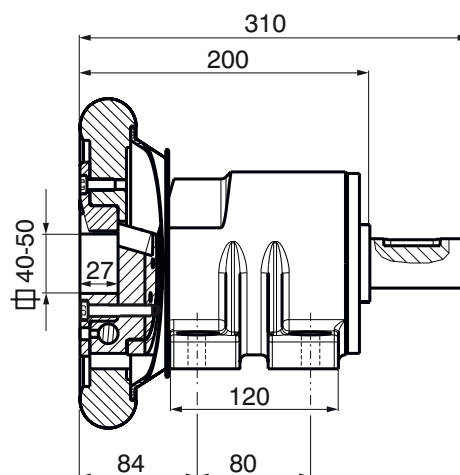
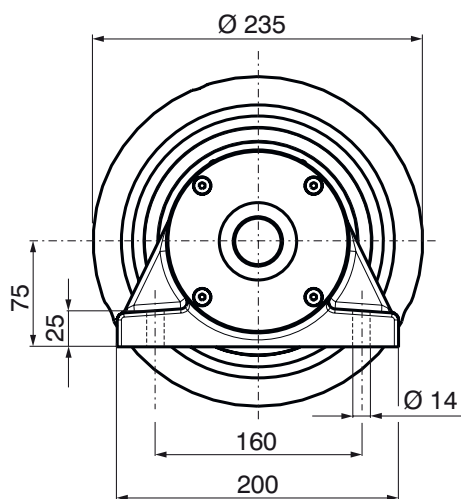
Boschert-Chuck 40-50 type C



STW 40-50
chuck with shaft end



STO 40-50
chuck without shaft end

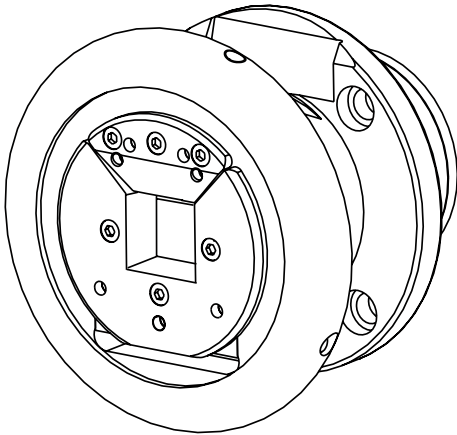


Shaft end details page 2.43

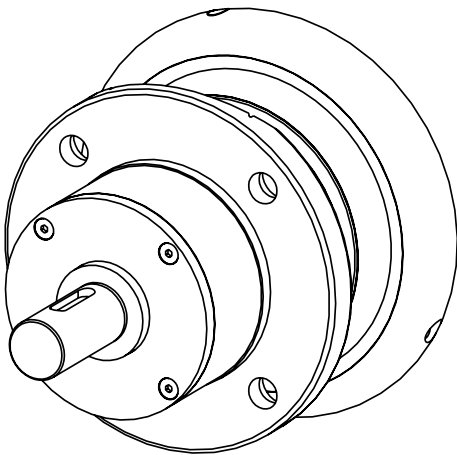
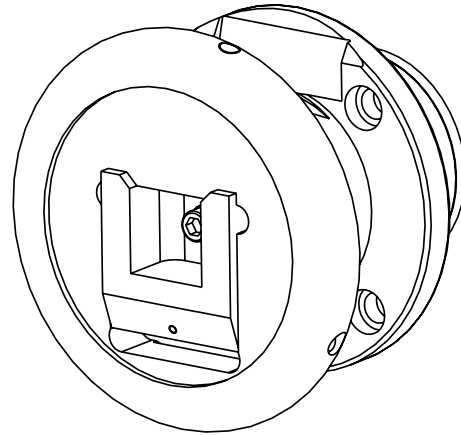
Boschert-Chuck 40-50 flange mounted



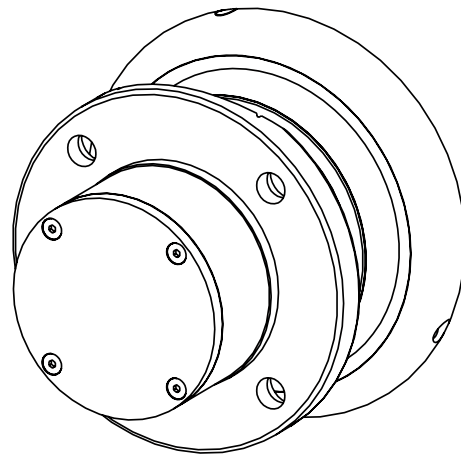
Boschert-Chuck 40-50 type VT



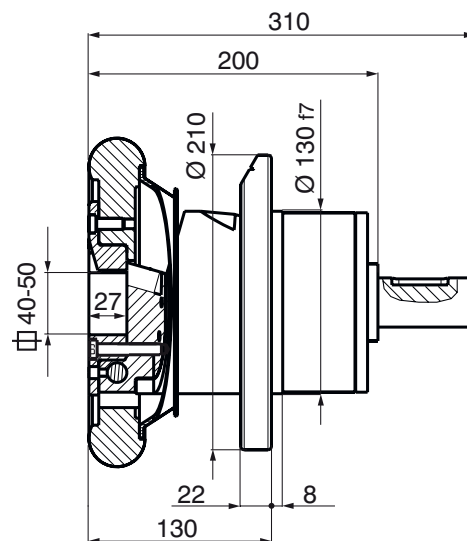
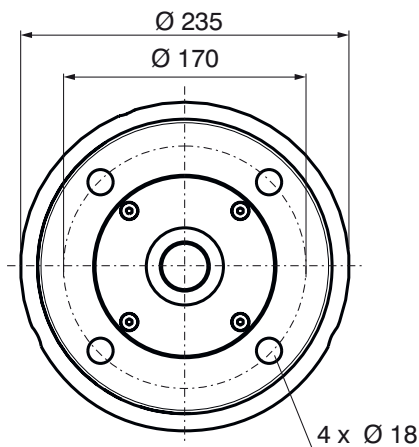
Boschert-Chuck 40-50 type C



FLW 40-50
chuck with shaft end



FLO 40-50
chuck without shaft end

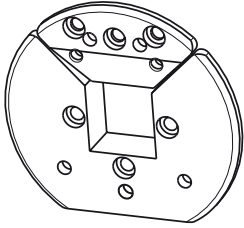


Shaft end details page 2.43

Boschert-Chuck 40-50 options

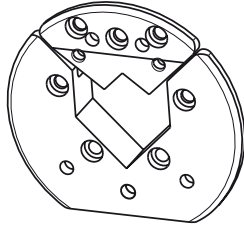


Journal shaft type



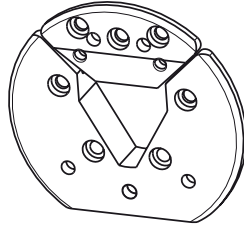
VT 1

Info: 11.10



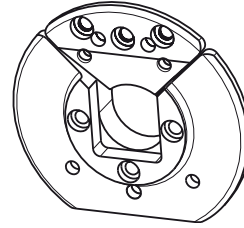
VT 2

Info: 11.10



VT 6

Info: 11.11



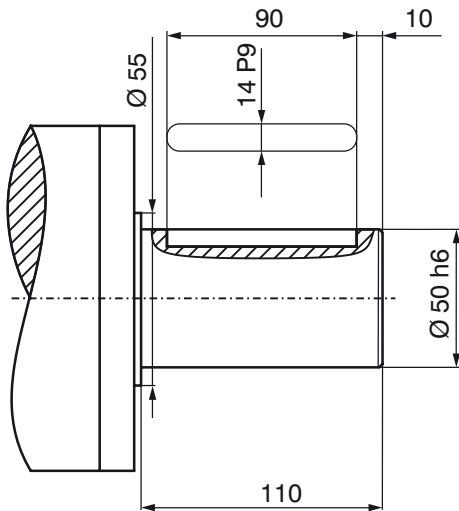
VT 7

Info: 11.12

Note at VT2 and VT7 Chucks:
 max. weight = 0.8 x catalogue value
 max. torque = 0.7 x catalogue value

Info
11.20

Shaft end

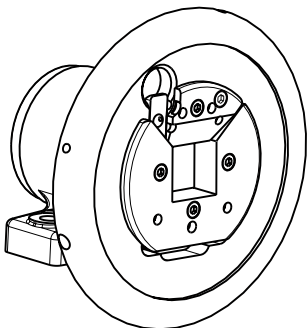


Standard shaft end

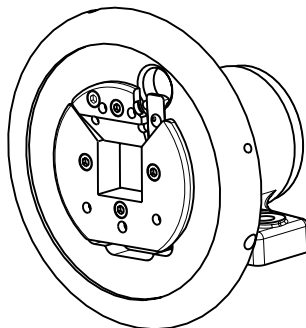
Special shaft ends per customer request

Max. shaft-dia.: Ø 65 mm
 (special shaft without stop)

Handwheel lock



HRV II left



HRV II right

Info
8.30

Info
8.31

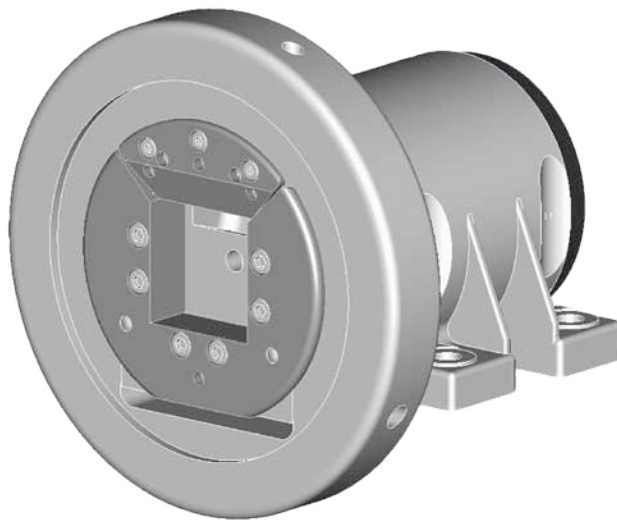
**Due to safety reasons we recommend
 handwheel locks on applications in turret winders.**

Handwheel-diameter on chucks with lock type II: Ø 250 mm

2.50 Boschert-Chuck 50-80



- 50-80 STO** *Boschert* foot mounted chuck without shaft end
50-80 STW *Boschert* foot mounted chuck with shaft end
50-80 FLO *Boschert* flange mounted chuck without shaft end
50-80 FLW *Boschert* flange mounted chuck with shaft end



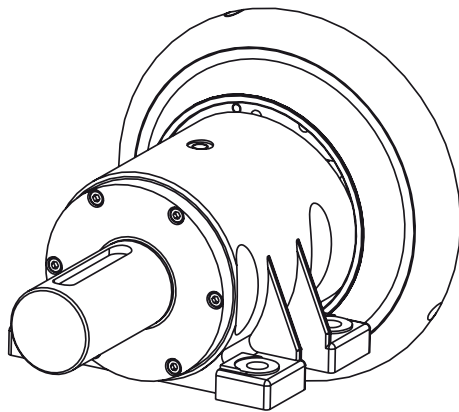
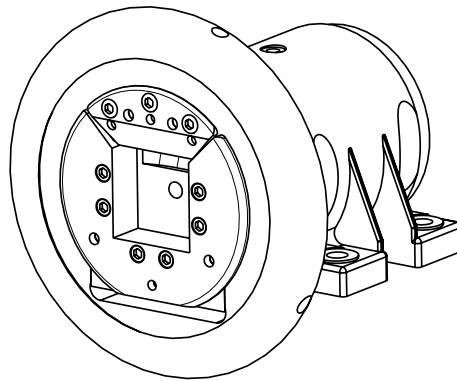
- Square bar:** □ 50 mm - 80 mm (1.9685" - 3.1496")
Standard square bar: □ 80 mm (1.5748")
max. beam weight: □ 7000 kg □ (15430 lbs)
max. torque: ↻ 2350 Nm (1700 ft/lb)

		Info
Typ:	VT	2.55
Journal shaft type VT:	VT1 / VT2 / VT6 / VT7	2.53
Shaft end:	standard	2.53
Handwheel lock:	lock type II (left/right)	2.53
Add. parts:	brakes	6.00
	clutches	7.00

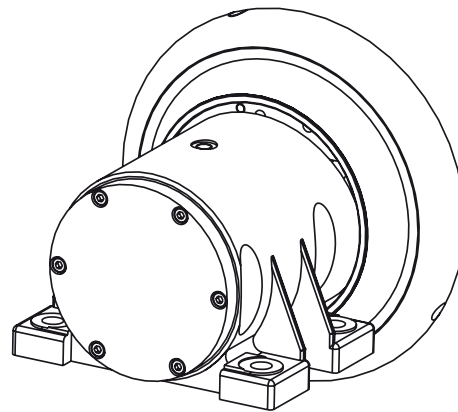
Boschert-Chuck 50-80 foot mounted



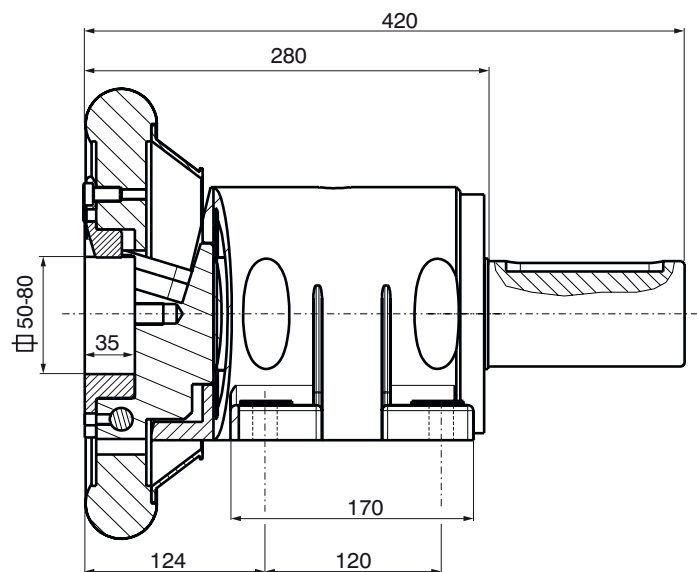
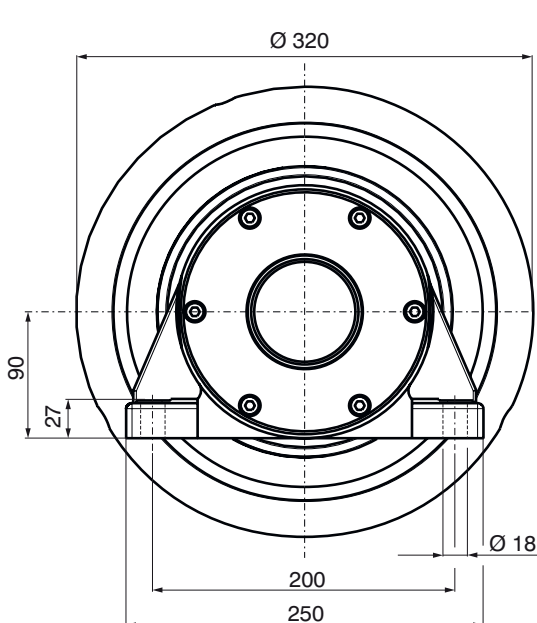
Boschert-Chuck 50-80 type VT



STW 50-80
chuck with shaft end



STO 50-80
chuck without shaft end



Shaft end details page 2.53

2.51

Mattenstrasse 1
D-79541 Loerrach-Hauingen

infokl@boschert.de
www.boschert.de

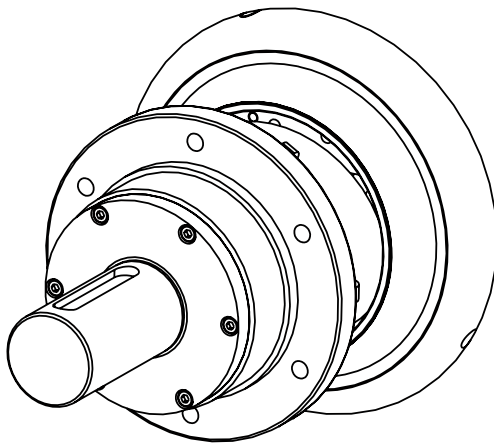
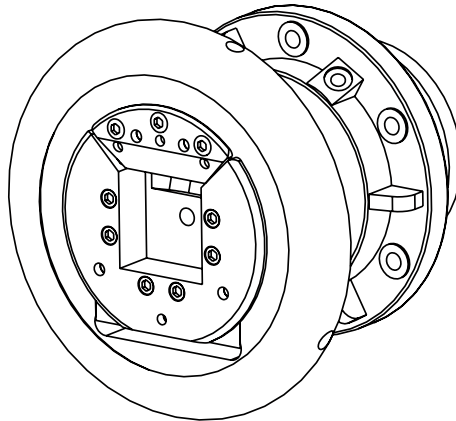
Tel.: +49 (0) 7621 / 9593 0
Fax: +49 (0) 7621 / 5518 4

Changes reserved (a)

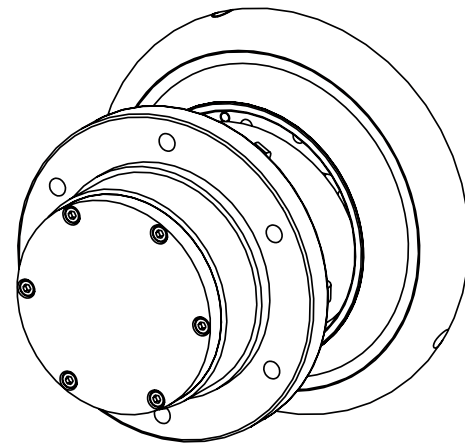
Boschert-Chuck 50-80 flange mounted



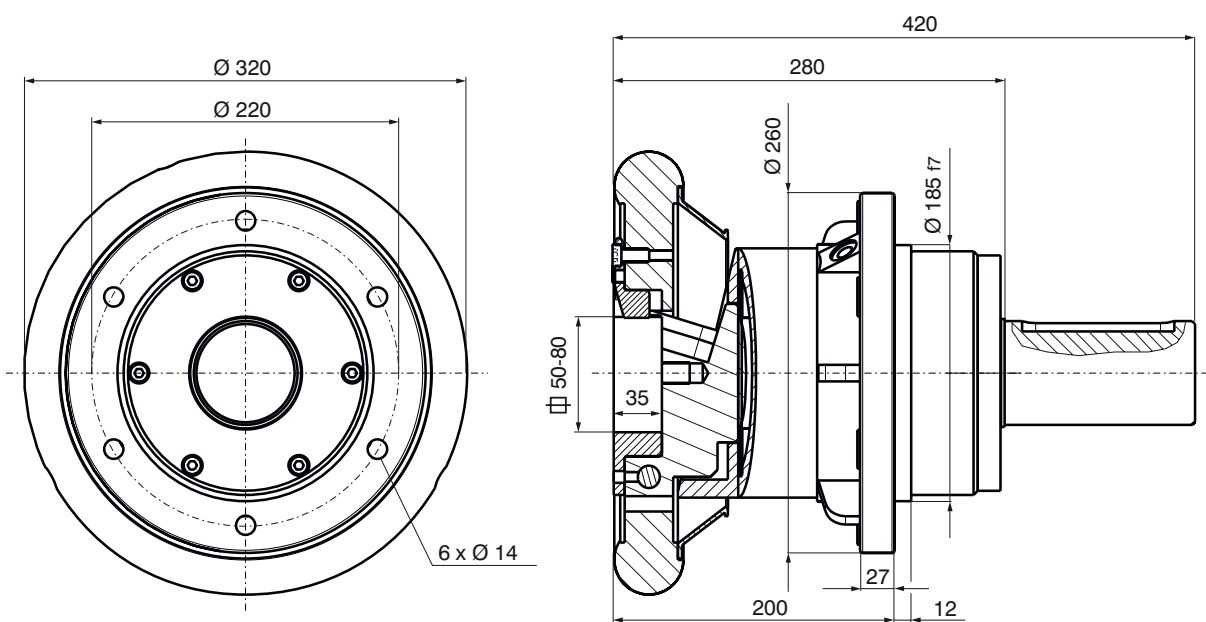
Boschert-Chuck 50-80 type VT



FLW 50-80
chuck with shaft end



FLO 50-80
chuck without shaft end

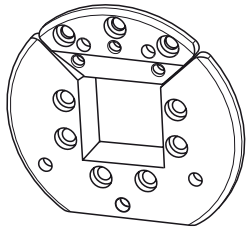


Shaft end details page 2.53

Boschert-Chuck 50-80 options

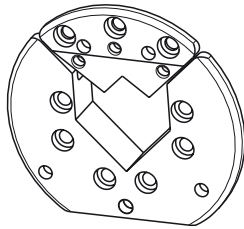


Journal shaft type



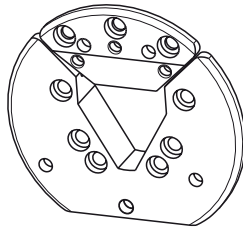
VT 1

Info: 11.10



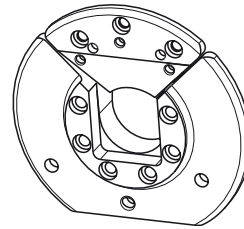
VT 2

Info: 11.10



VT 6

Info: 11.11



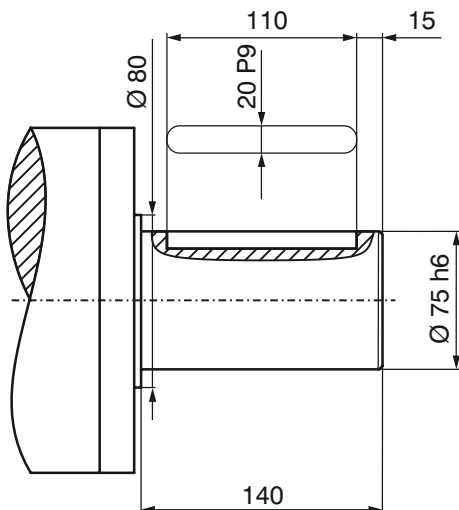
VT 7

Info: 11.12

Note at VT2 and VT7 Chucks:
 max. weight = 0.8 x catalogue value
 max. torque = 0.7 x catalogue value

Info
11.20

Shaft end

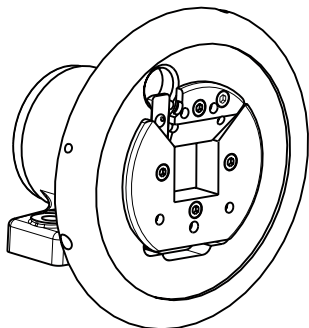


Standard shaft end

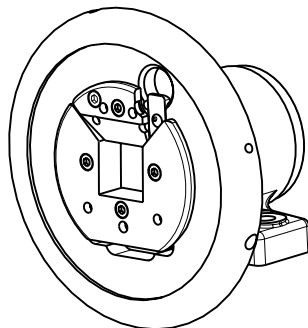
Special shaft ends per customer request

Max. shaft-dia.: Ø 80 mm
 (special shaft without stop)

Handwheel lock



HRV II left



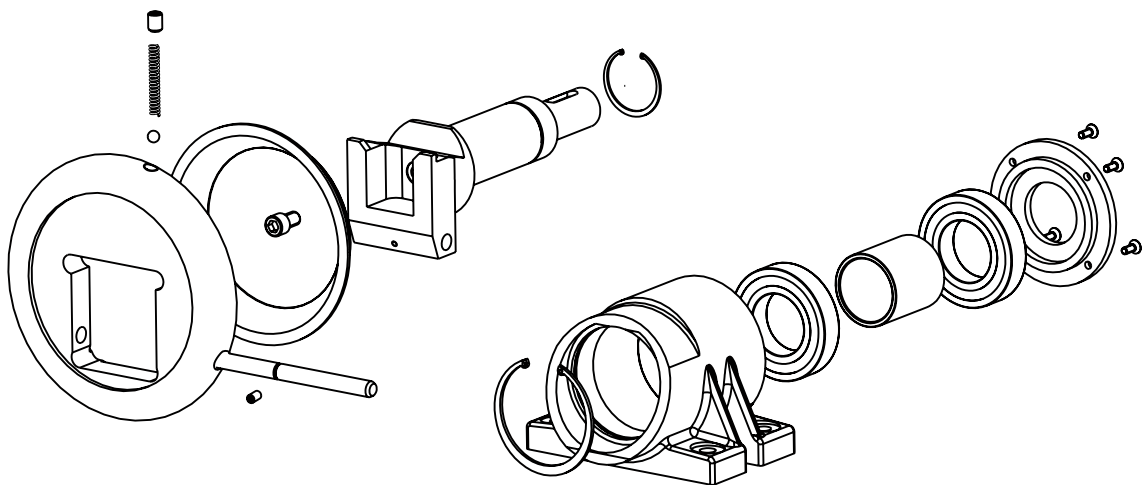
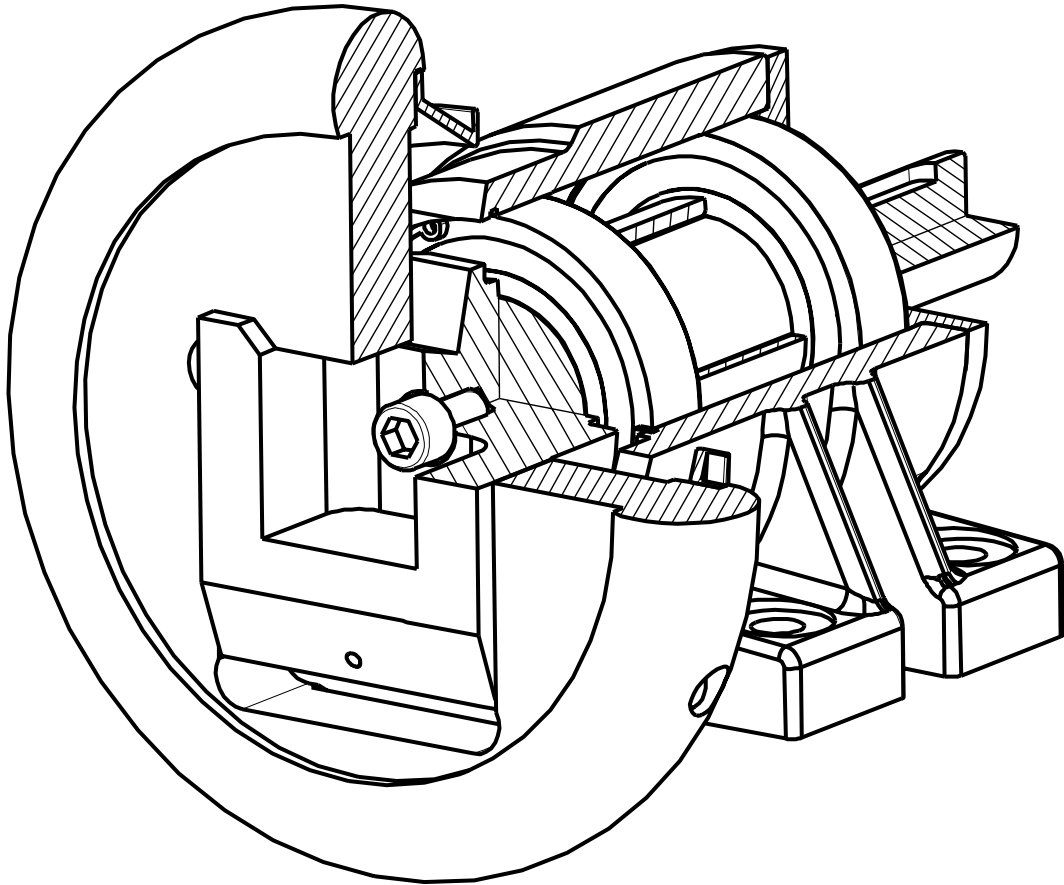
HRV II right

Info
8.30

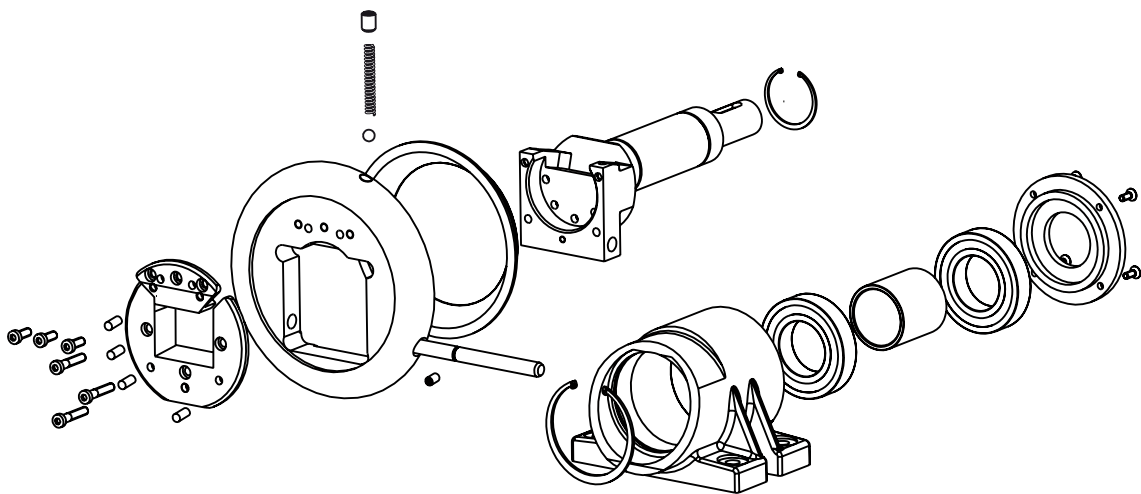
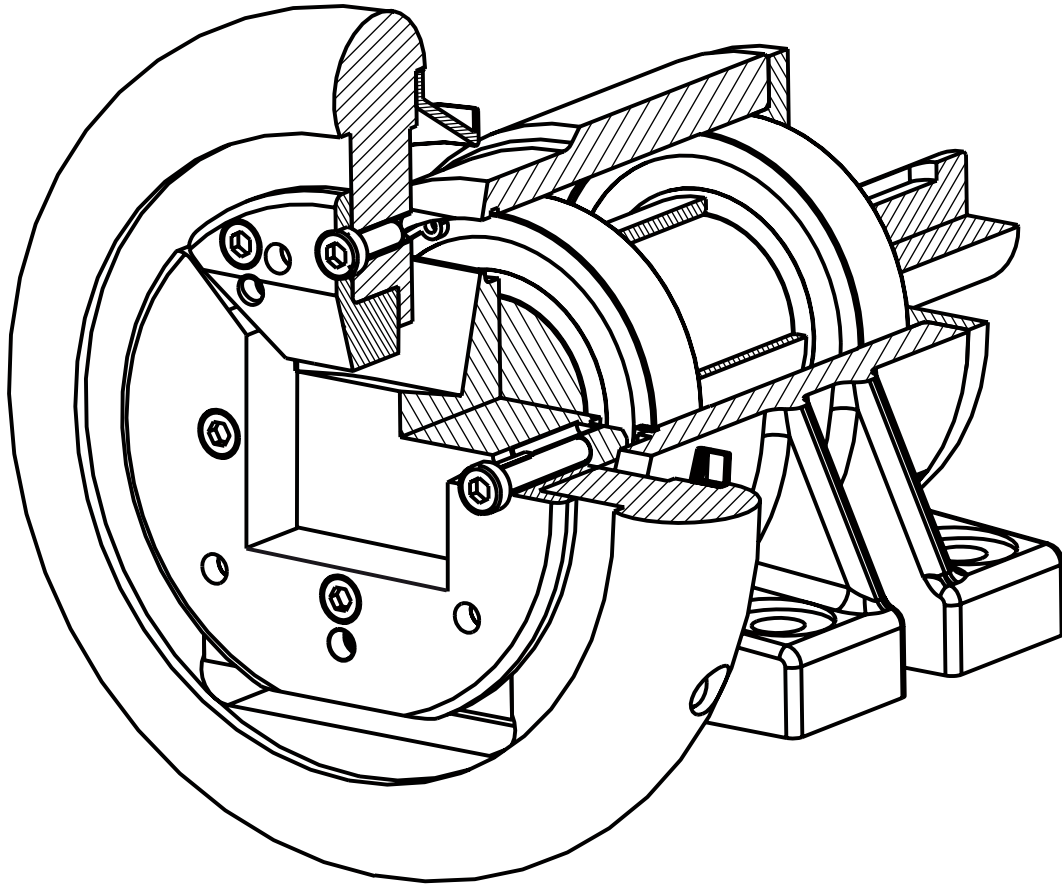
Info
8.31

**Due to safety reasons we recommend
 handwheel locks on applications in turret winders.**

Construction Boschert-Chuck type C



Construction Boschert-Chuck type VT



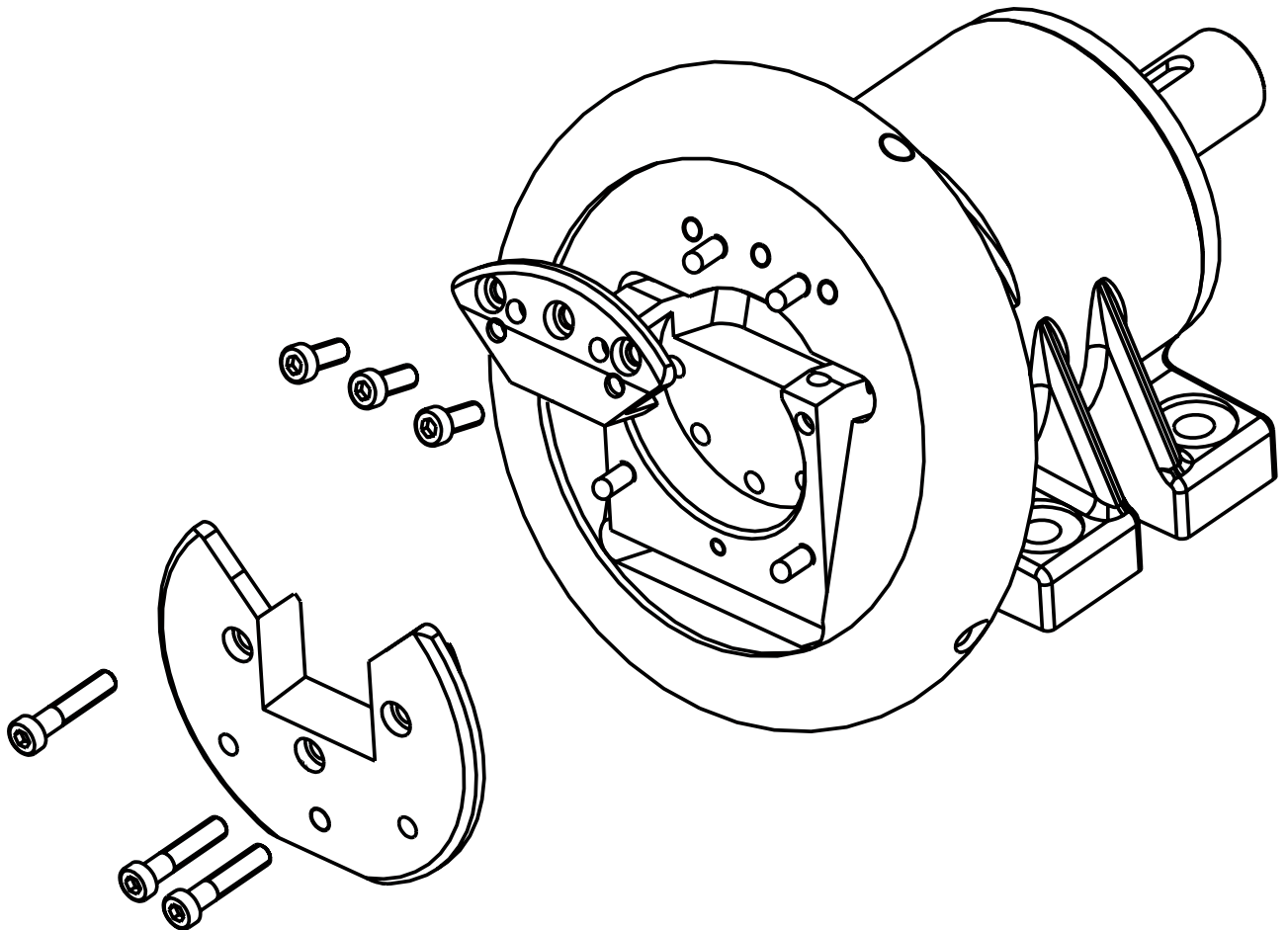
2.55

Mattenstrasse 1
D-79541 Loerrach-Hauingen

infokl@boschert.de
www.boschert.de

Tel.: +49 (0) 7621 / 9593 0
Fax: +49 (0) 7621 / 5518 4

2.60 Info wearing-parts



Attention!

Please consider that C-chucks subsequently cannot be fitted with VT-inserts. However it is possible to convert C-Chucks to VT-Chucks by changing the shafts and handwheels.

For Safety Chucks with special shaft ends we recommend the VT-version!

Info wearing-parts



The demand for higher speed and bigger torque led to the development of the VT-insert. All safety chucks from size 22-30 up to 80-120 can be delivered from BOSCHERT with VT-inserts (wearing-parts). Chucks size from 120-180 up to 170-230 are provided with wear plates.

Important features of the VT-Chucks are:

- changing of VT wearing parts can be carried out in just a few minutes without removing the safety chuck from the machine. This is helpful by reducing down time.
- easy change to other square sizes by replacing the VT wearing parts in the same chuck (except 50-80 VT6).
- VT-parts can be supplied hardened by customers request or in soft condition, to protect the more expensive winding shafts.
- low stock-keeping costs of the VT-parts.
- possibility from one geometry to another (SQ. to VT6 or VT7).

The user of custom shaft ends should consider chucks with VT inserts. This will ensure a fast delivery of spare parts.

The VT-wearing parts are available from stock in most standard sizes, while, the delivery-time for shafts, especially with special shaft end, has to be arranged.

We recommend to put one or more sets of VT-wearing parts on stock to be used in case of an emergency.

Please consider that C-Chucks subsequently cannot be fitted with VT-inserts. However it is possible to convert C-Chucks to VT-Chucks by changing the shafts and handwheels.

Note at VT2 and VT7 Chucks:

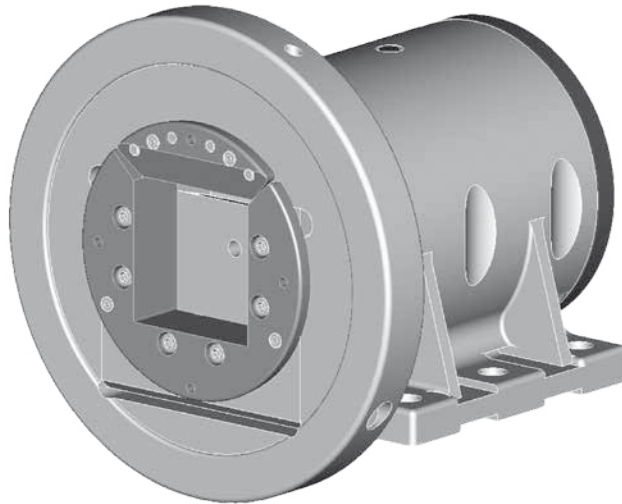
max. weight = 0.8 x catalogue value

max. torque = 0.7 x catalogue value

2.70 Boschert-Chuck 80-120



- 80-120 STO** *Boschert* foot mounted chuck without shaft end
80-120 STW *Boschert* foot mounted chuck with shaft end
80-120 FLO *Boschert* flange mounted chuck without shaft end
80-120 FLW *Boschert* flange mounted chuck with shaft end



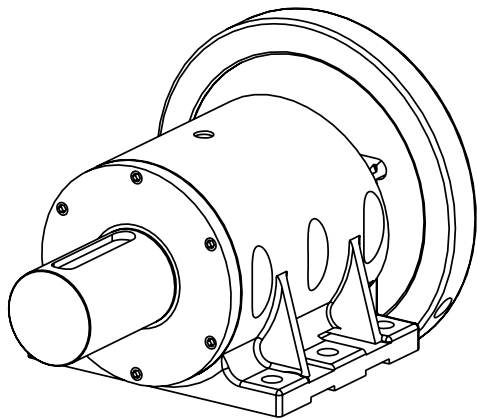
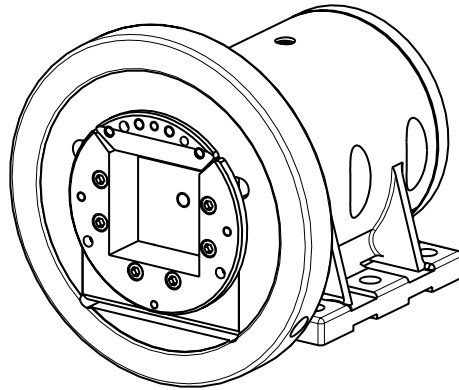
- Square bar:** □ 80 mm - 120 mm (3.1496" - 4.7244")
Standard square bar: □ 120 mm (4.744")
max. beam weight: □ 12000 kg □ (26460 lbs)
max. torque: ↻ 10000 Nm (7230 ft/lb)

		Info
Type:	VT	2.55
Journal shaft type:	VT1 / VT6	2.73
Shaft end:	per customer specification	2.73

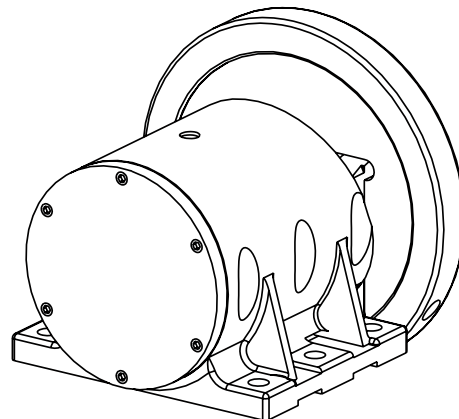
Boschert-Chuck 80-120 foot mounted



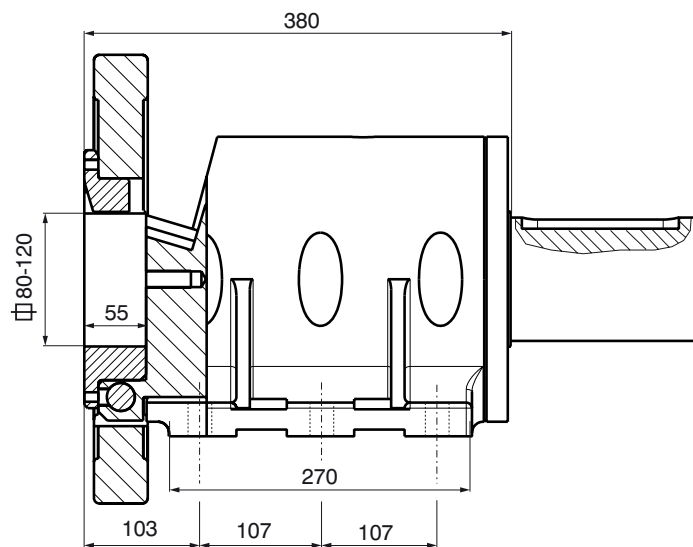
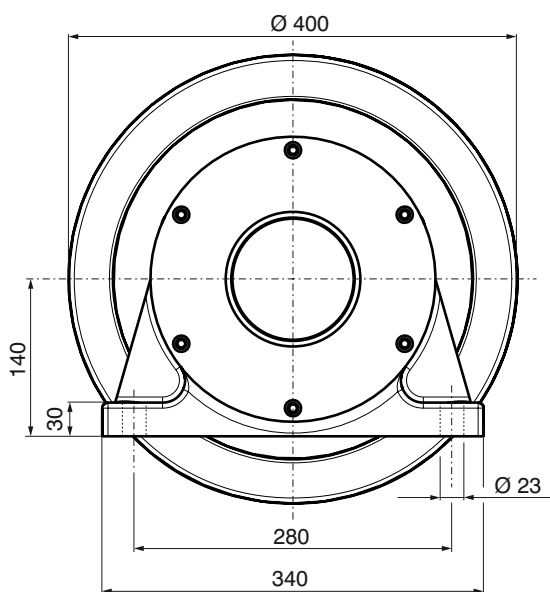
Boschert-Chuck 80-120 type VT



STW 80-120
chuck with shaft end



STO 80-120
chuck without shaft end

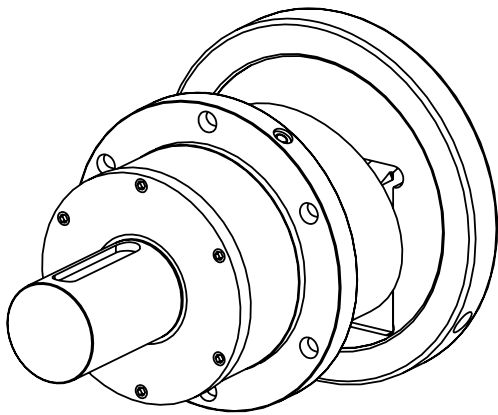
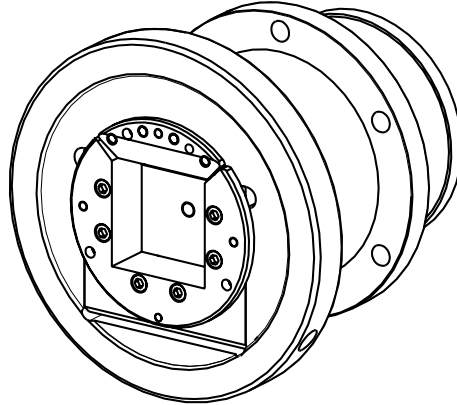


Shaft end details page 2.73

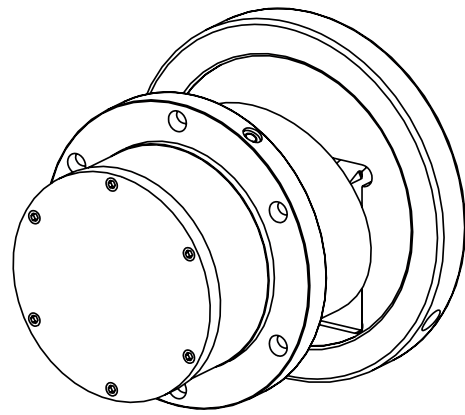
Boschert-Chuck 80-120 flange mounted



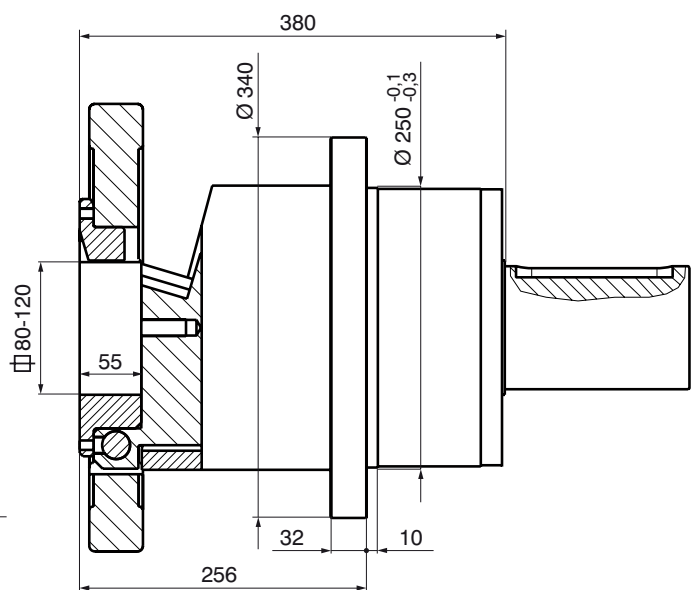
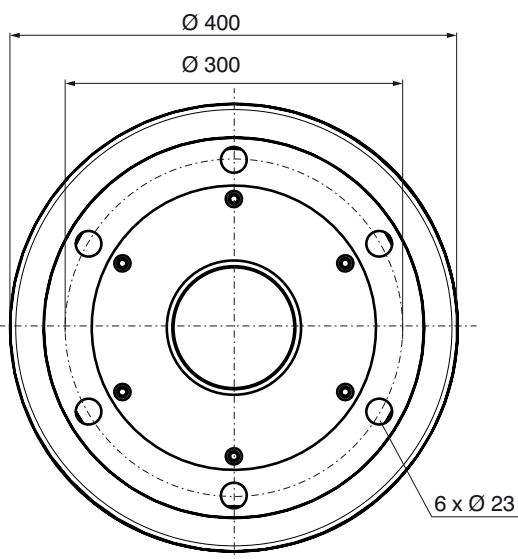
Boschert-Chuck 80-120 type VT



FLW 80-120
chuck with shaft end



FLO 80-120
chuck without shaft end

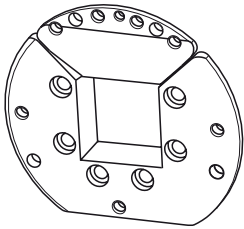


Shaft end details page 2.73

Boschert-Chuck 80-120 options

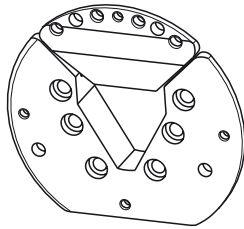


VT-insert



VT 1

Info: 11.10

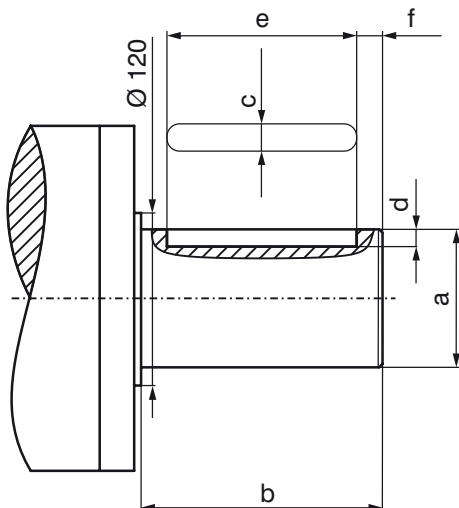


VT 6

Info: 11.11

Info
11.20

Shaft end



Max. shaft-dia.: Ø 120 mm
(special shaft without stop)

Shaft end per customer specification

a =		mm
b =		mm
c =		mm
d =		mm
e =		mm
f =		mm

2.80 Boschert-Chuck 120-180

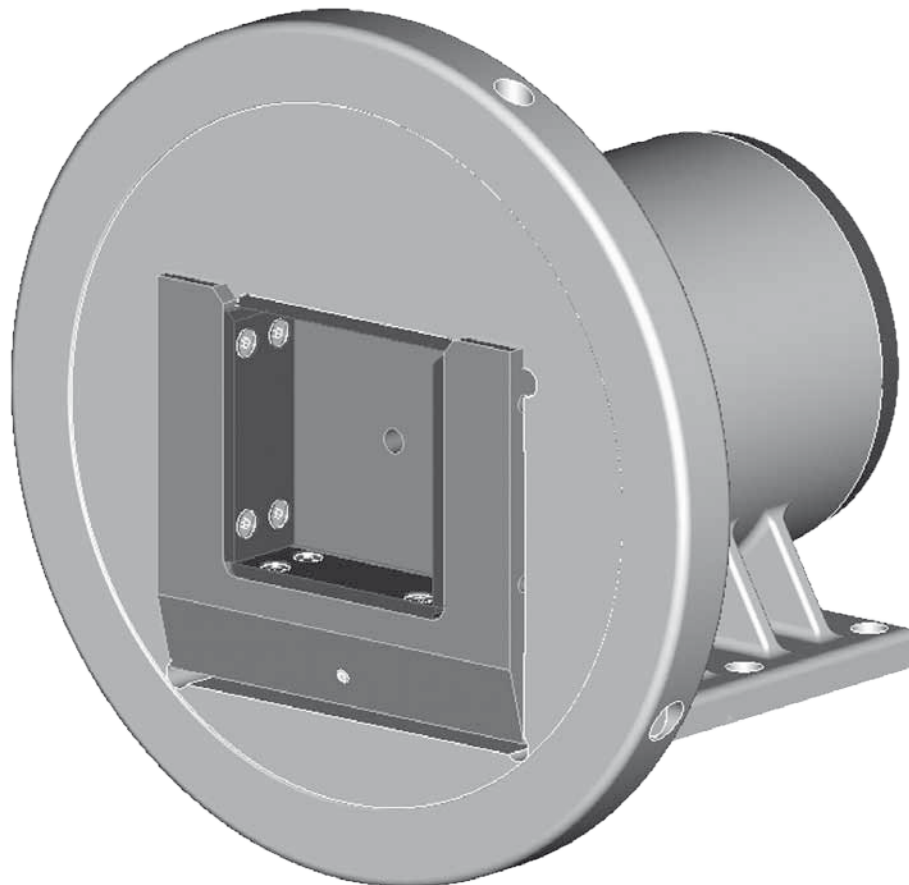


120-180 STO *Boschert* foot mounted chuck without shaft end

120-180 STW *Boschert* foot mounted chuck with shaft end

120-180 FLO *Boschert* flange mounted chuck without shaft end

120-180 FLW *Boschert* flange mounted chuck with shaft end



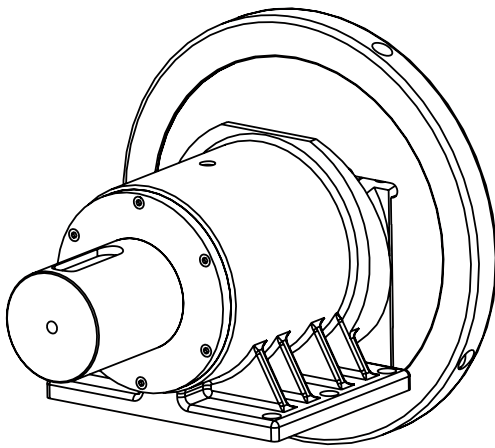
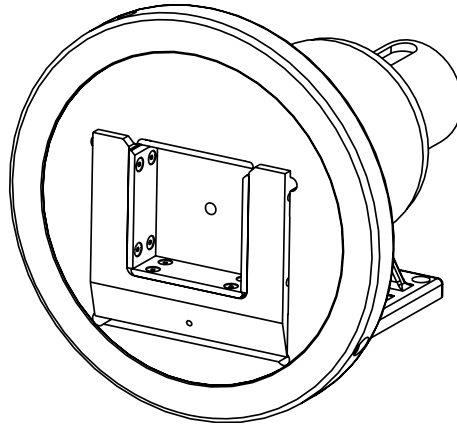
Square bar:	□	120 mm - 180 mm	(4.7244" - 7.0866")
Standard square bar:	□	180 mm	(7.0866")
max. beam weight:	□	22000 kg	(48500 lbs)
max. torque:	↻	20000 Nm	(14468 ft/lb)

		Info
Journal shaft type:	square bar	
Shaft end:	per customer specification	2.83

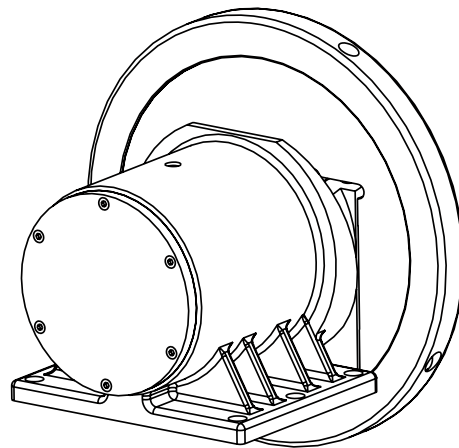
Boschert-Chuck 120-180 foot mounted



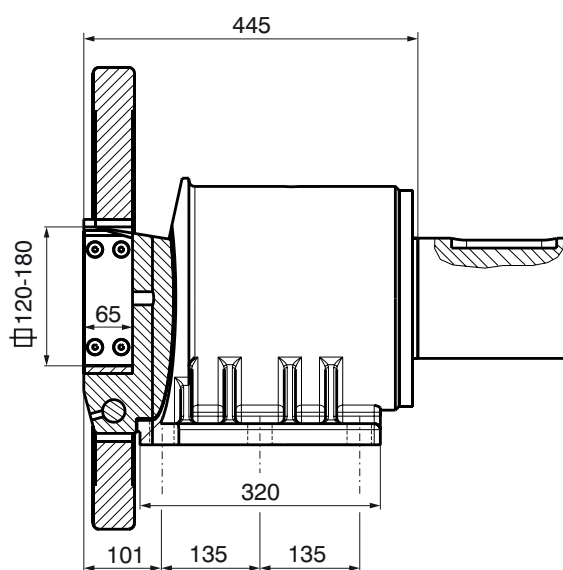
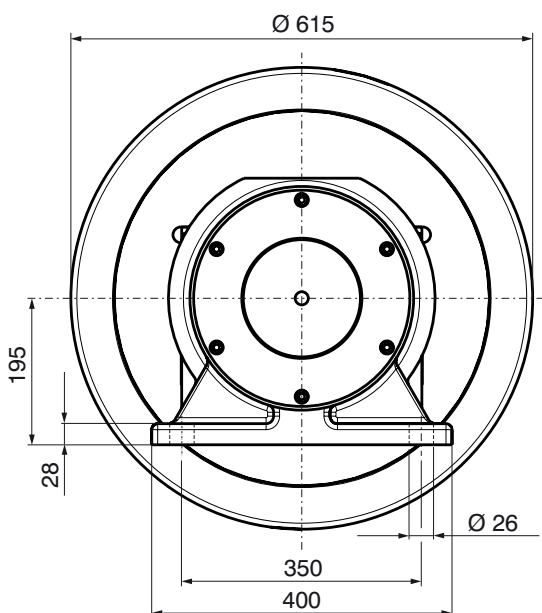
Boschert-Chuck 120-180 with wear plates



STW 120-180
chuck with shaft end



STO 120-180
chuck without shaft end



Shaft end details page 2.83

2.81

Mattenstrasse 1
D-79541 Loerrach-Hauingen

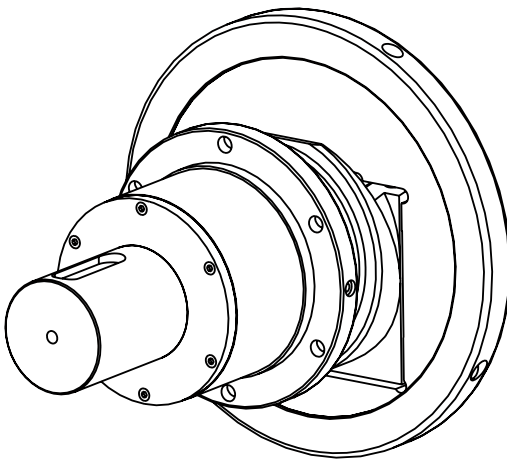
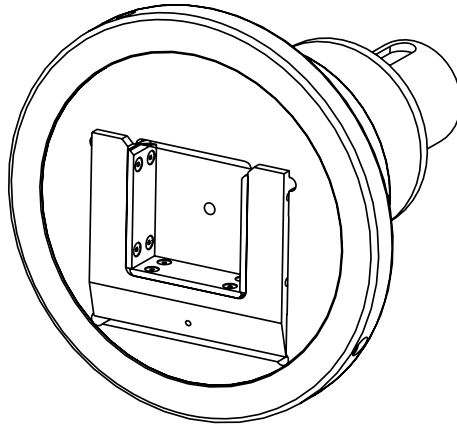
infokl@boschert.de
www.boschert.de

Tel.: +49 (0) 7621 / 9593 0
Fax: +49 (0) 7621 / 5518 4

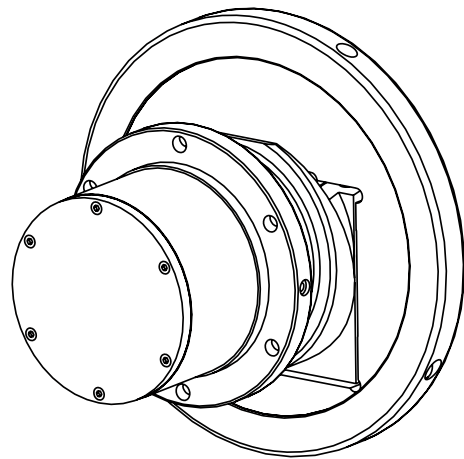
Boschert-Chuck 120-180 flange mounted



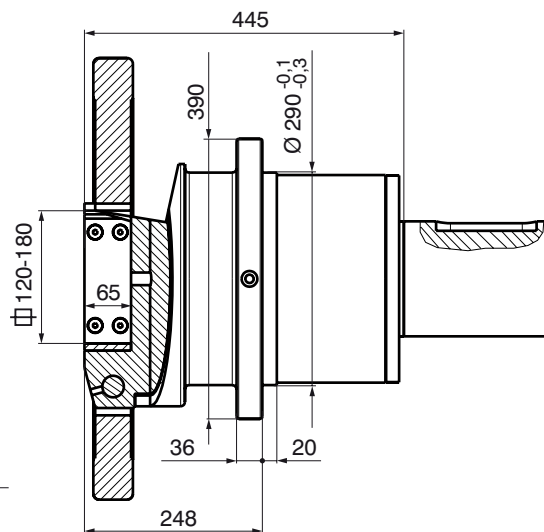
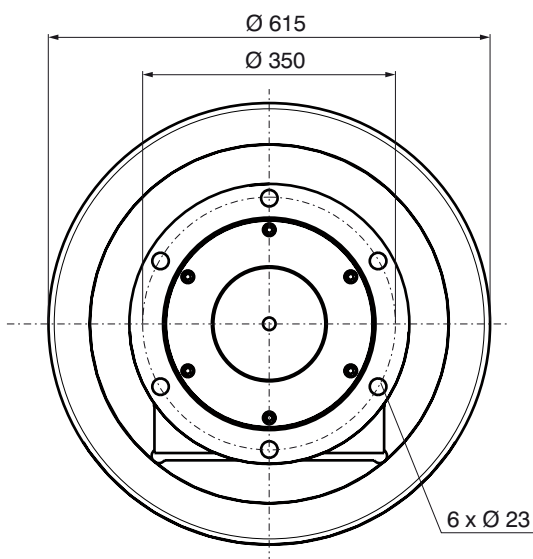
Boschert-Chuck 120-180 with wear plates



FLW 120-180
chuck with shaft end



FLO 120-180
chuck without shaft end

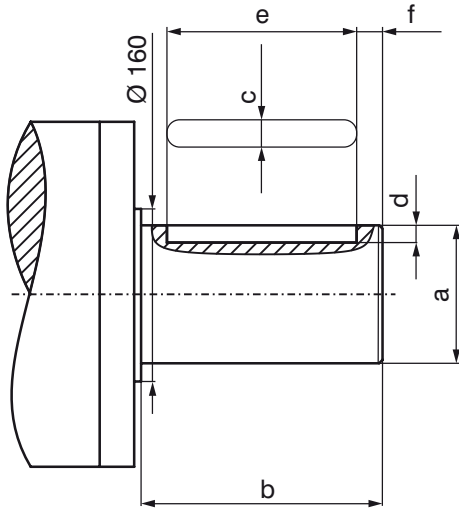


Shaft end details page 2.83

Boschert-Chuck 120-180 options



Shaft end



Max. shaft-dia.: Ø 160 mm
(special shaft without stop)

Shaft end per customer specification

a =		mm
b =		mm
c =		mm
d =		mm
e =		mm
f =		mm

2.90 Boschert-Chuck 170-230

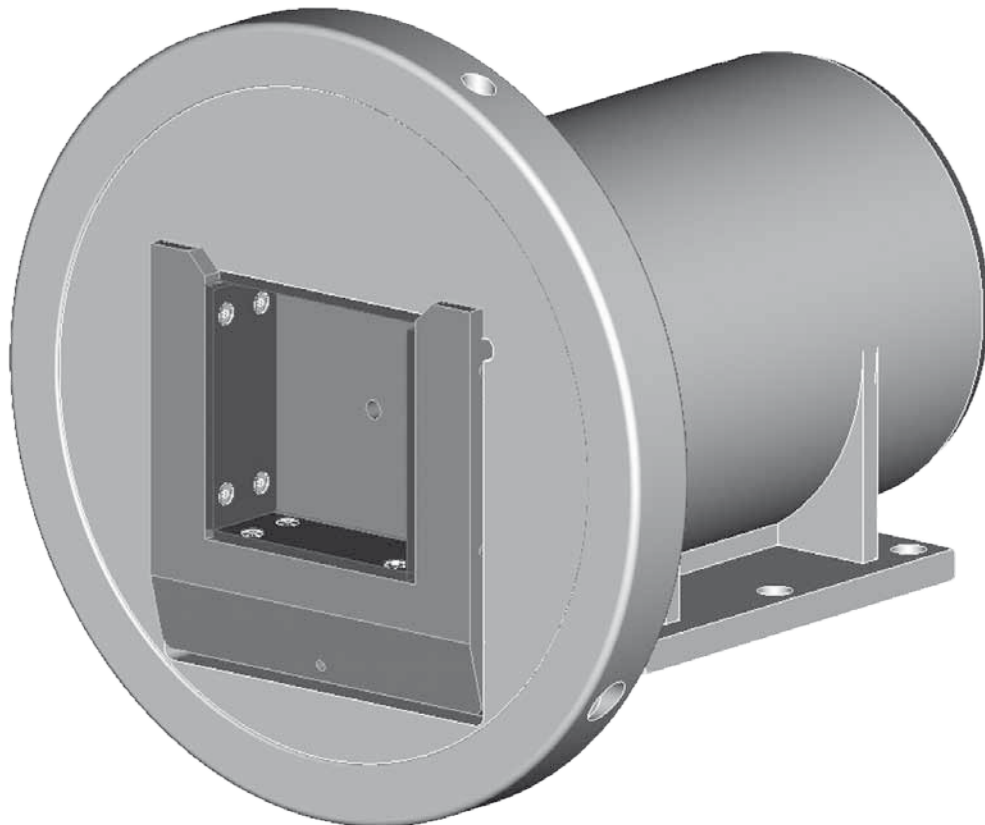


170-230 STO *Boschert* foot mounted chuck without shaft end

170-230 STW *Boschert* foot mounted chuck with shaft end

170-230 FLO *Boschert* flange mounted chuck without shaft end

170-230 FLW *Boschert* flange mounted chuck with shaft end



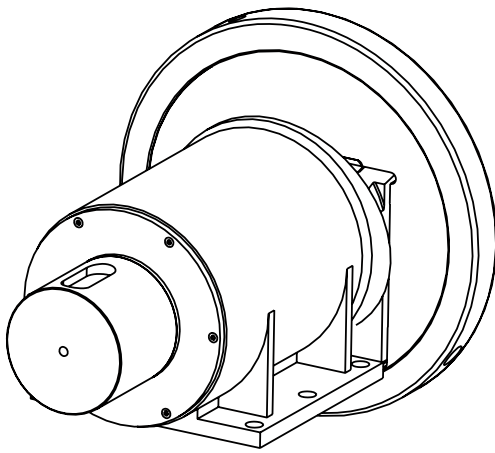
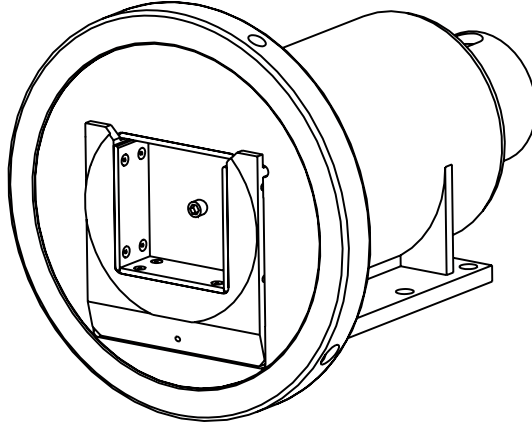
Square bar:	□	170 mm - 230 mm	(6.6929" - 9.0551")
Standard square bar:	□	230 mm	(9.551")
max. beam weight:	□	64000 kg	(141090 lbs)
max. torque:	↻	41000 Nm	(29660 ft/lb)

		Info
Journal shaft type:	square bar	
Shaft end:	per customer specification	2.93

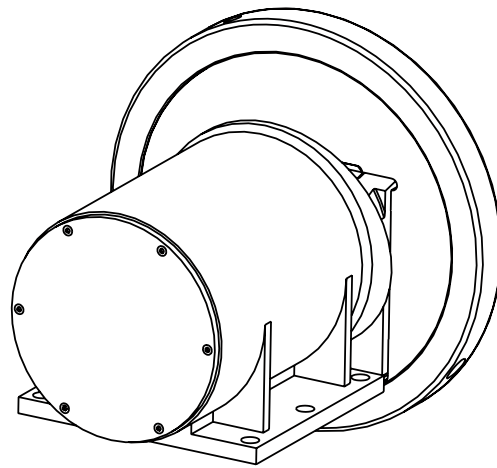
Boschert-Chuck 170-230 foot mounted



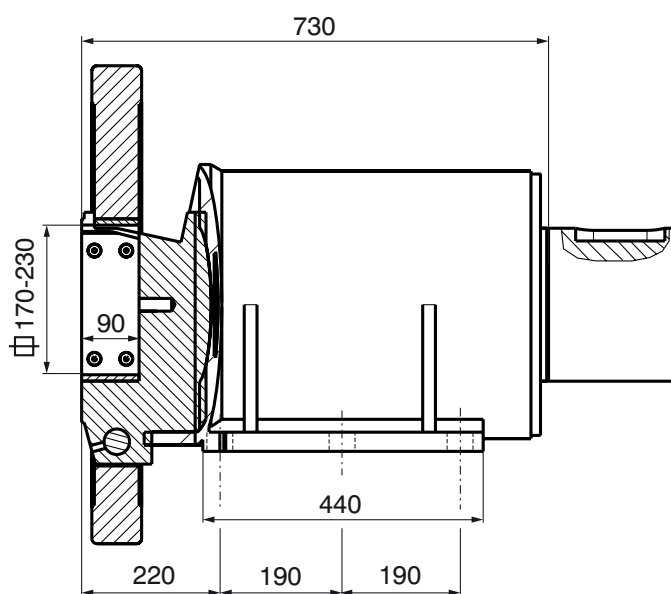
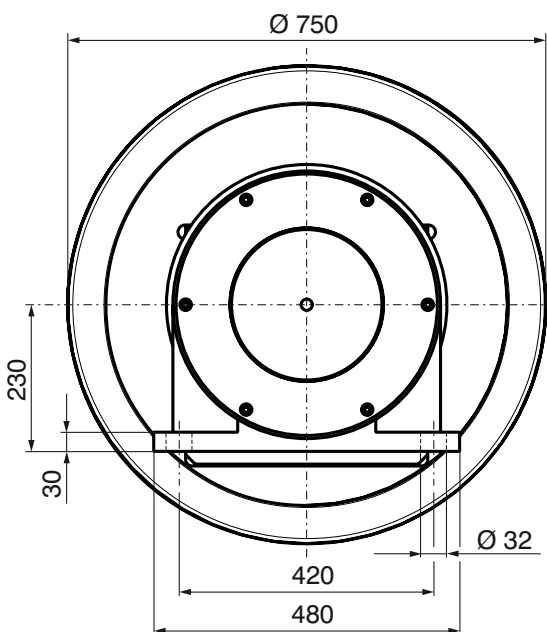
Boschert-Chuck 170-230 with wear plates



STW 170-230
chuck with shaft end



STO 170-230
chuck without shaft end

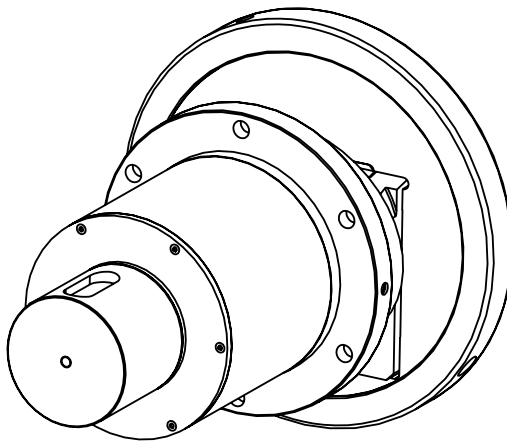
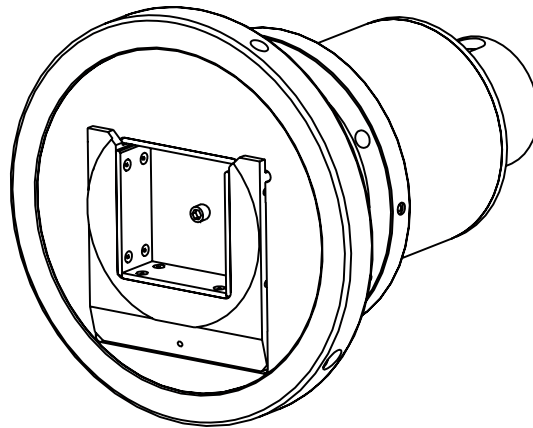


Shaft end details page 2.93

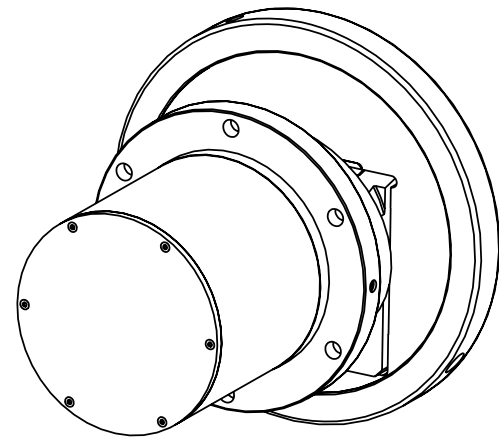
Boschert-Chuck 170-230 flange mounted



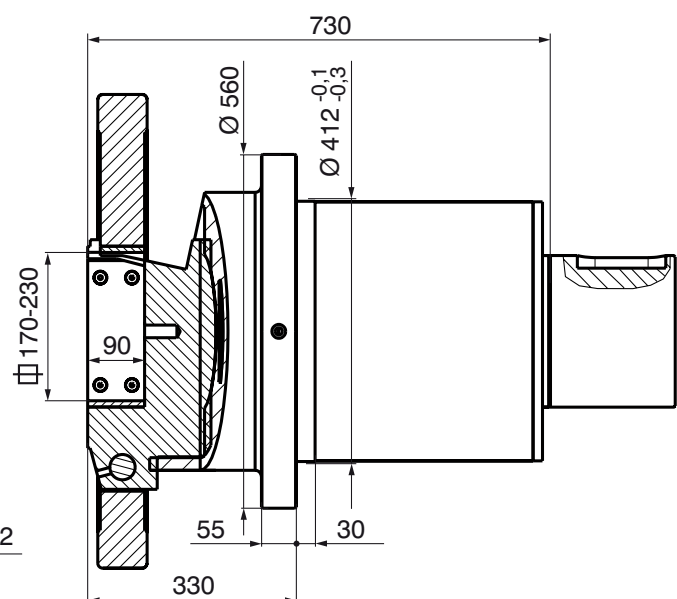
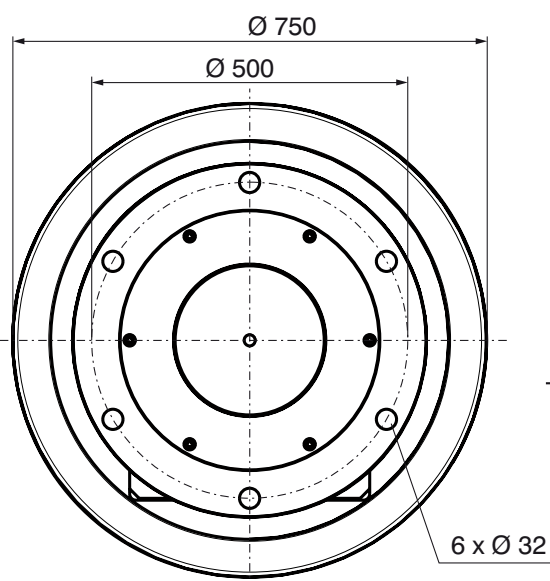
Boschert-Chuck 170-230 with wear plates



FLW 170-230
chuck with shaft end



FLO 170-230
chuck without shaft end



Shaft end details page 2.93

Mattenstrasse 1
D-79541 Loerrach-Hauingen

infokl@boschert.de
www.boschert.de

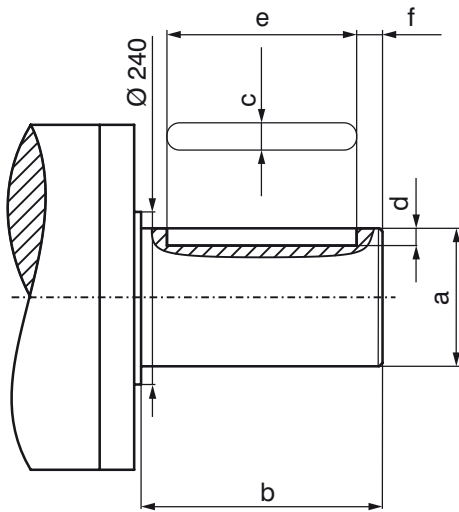
Tel.: +49 (0) 7621 / 9593 0
Fax: +49 (0) 7621 / 5518 4

2.92

Boschert-Chuck 170-230 options



Shaft end

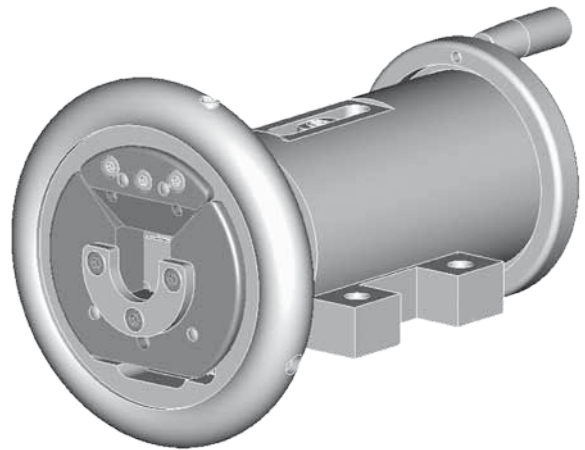
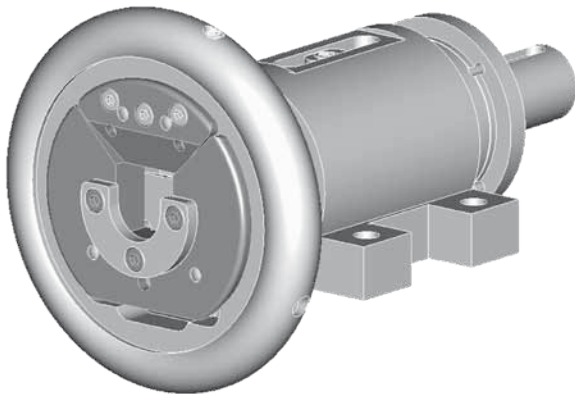


Max. shaft-dia.: $\text{Ø } 240$ mm
(special shaft without stop)

Shaft end per customer specification

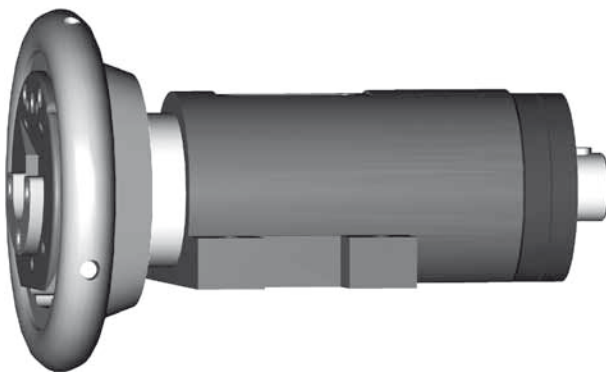
a =		mm
b =		mm
c =		mm
d =		mm
e =		mm
f =		mm

3.0 Overview Sliding-Chucks



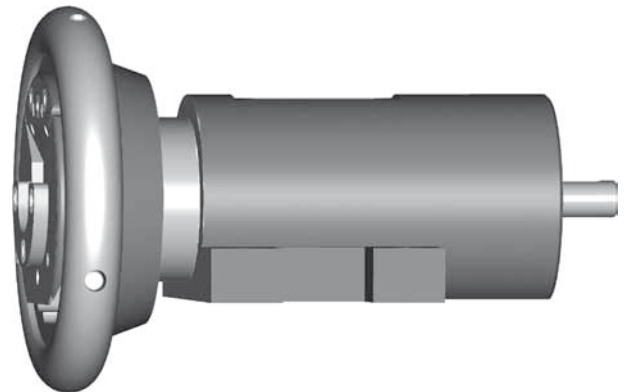
Sliding-Chuck

Info: 3.00



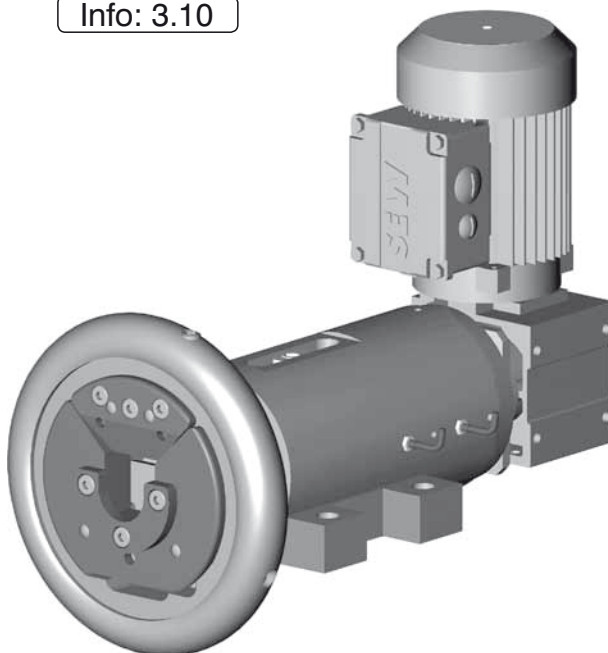
Sliding-Chuck with axial fixed drive

Info: 3.10



Sliding-Chuck for motorized adjustment

Info: 3.30



Sliding-Chuck with motorized adjustment

Info: 3.20

3.00 **Boschert Sliding-Chuck**



22-30 to 40-50 SKO

Boschert foot mounted chuck without shaft end

22-30 to 40-50 SKW

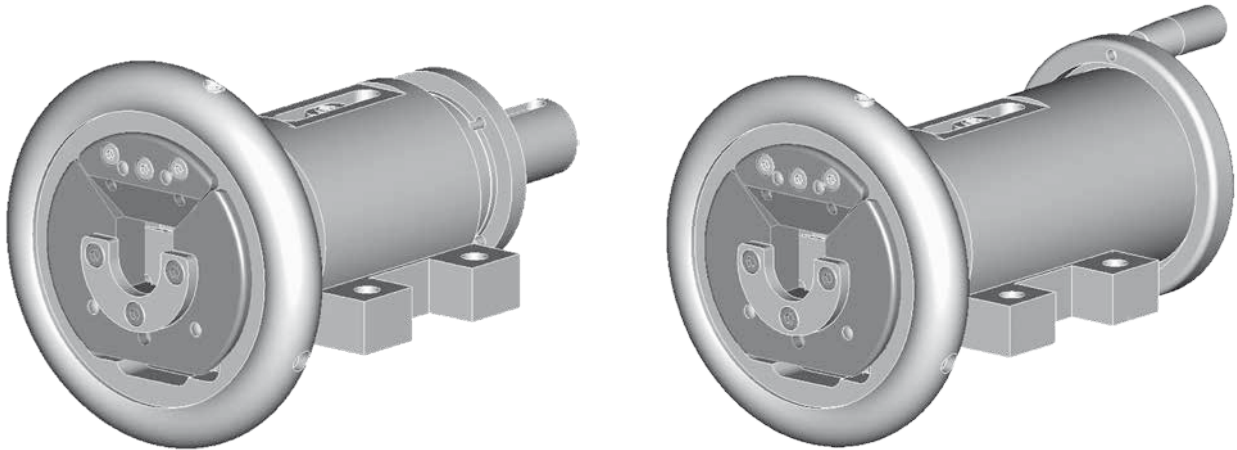
Boschert foot mounted chuck with shaft end

22-30 to 40-50 SKOF

Boschert flange mounted chuck without shaft end

22-30 to 40-50 SKWF

Boschert flange mounted chuck with shaft end



	max. beam weight	max. torque	square bar
22-30	800 kg (1760 lbs)	180 Nm (130 ft/lb)	22 - 30 mm (0.8661" - 1.1811")
30-40	1600 kg (3530 lbs)	350 Nm (250 ft/lb)	30 - 40 mm (1.1811" - 1.5748")
40-50	2800 kg (6170 lbs)	1100 Nm (800 ft/lb)	40 - 50 mm (1.5748" - 1.9685")

		Info
Type:	VT	2.55
Journal shaft type VT:	VT1 / VT2 / VT6 / VT7	3.80
Model:	50 mm adjustment	3.03 - 3.06
	100 mm adjustment	3.03 - 3.06
Shaft end:	Standard	3.03 / 3.05
Handwheel lock:	lock type I (left/right)	3.80
	lock type II (left/right)	3.80
Axial locking:	driver disc	3.81 - 3.84
Options:	axial fixed drive	3.10 - 3.11
	with motorized adjustment	3.20 - 3.22
	for motorized adjustment	3.30 - 3.32
Add. parts:	brakes	6.00
	clutches	7.00

Mattenstrasse 1
D-79541 Loerrach-Hauingen

infokl@boschert.de
www.boschert.de

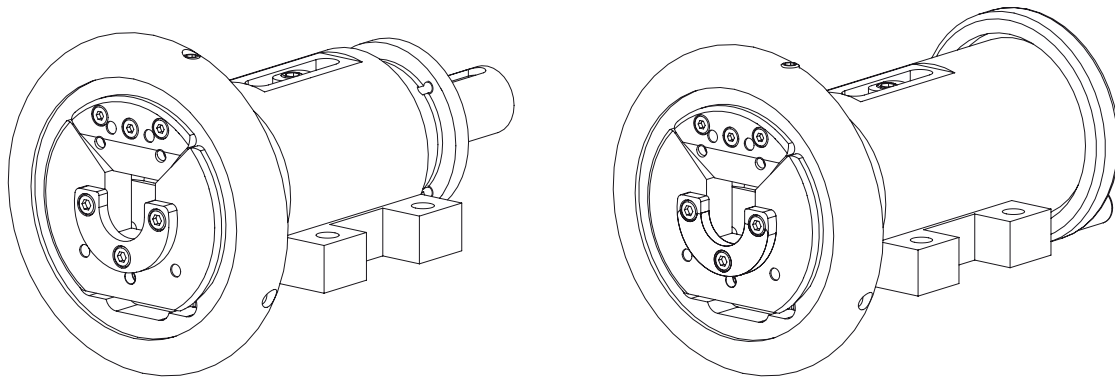
Tel.: +49 (0) 7621 / 9593 0
Fax: +49 (0) 7621 / 5518 4

3.00

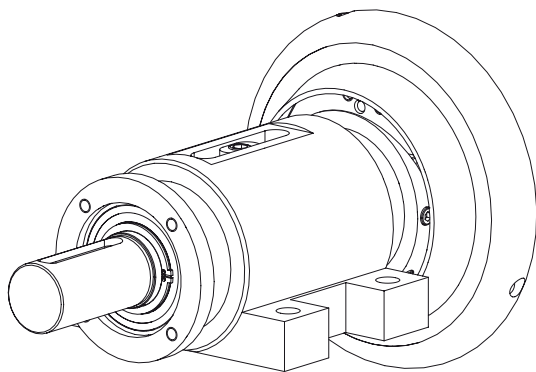
Boschert-Sliding-Chuck foot mounted



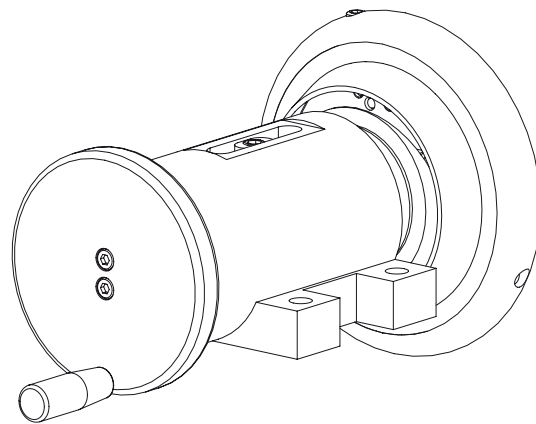
Boschert-Sliding-Chuck type VT



SKW
chuck with shaft end



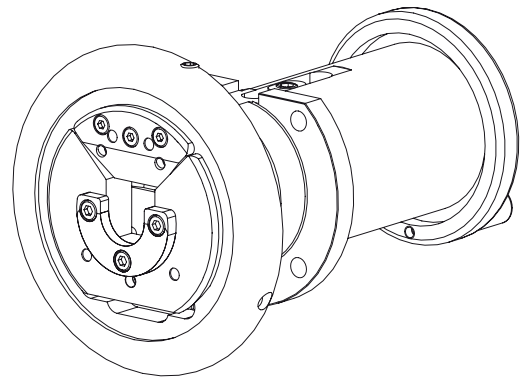
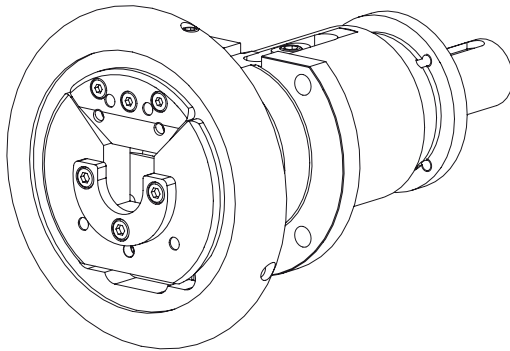
SKO
chuck without shaft end



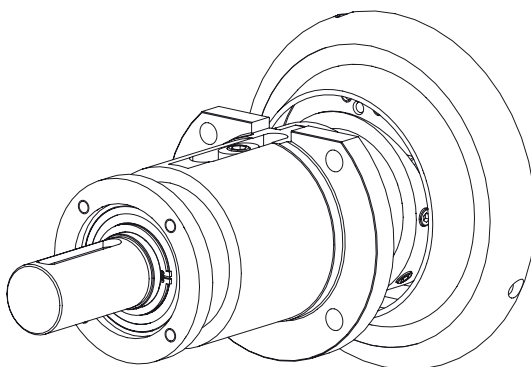
Boschert-Sliding-Chuck flange mounted



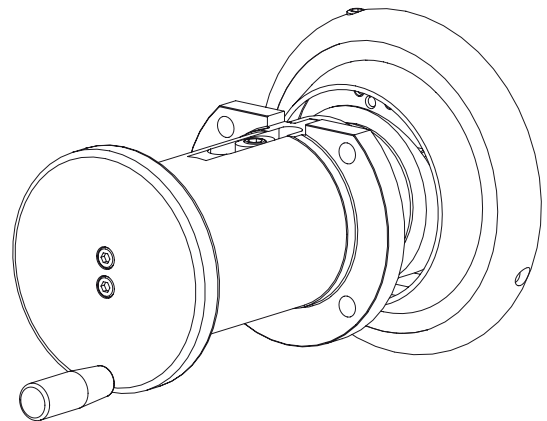
Boschert-Sliding-Chuck type VT



SKWF chuck with shaft end



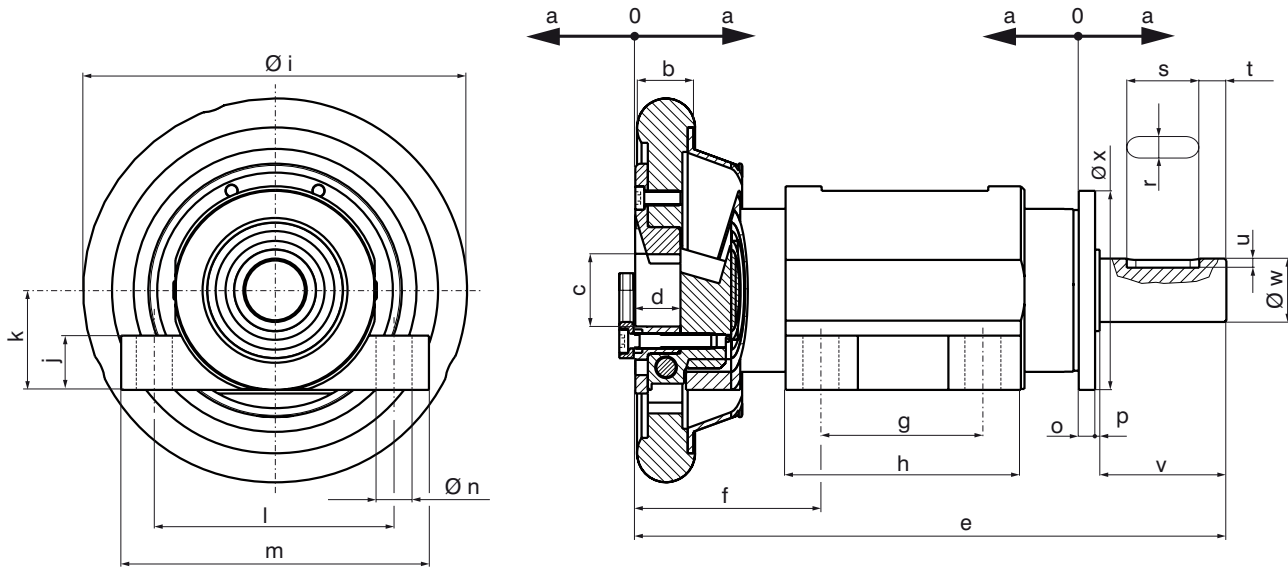
SKOF chuck without shaft end



Boschert-Sliding-Chuck dim. sheet foot mounted chuck



SKW Boschert foot mounted chuck with shaft end



SW = adjustment

Info
3.80

SW	22-30		30-40		40-50	
	50	100	50	100	50	100
a	25	50	25	50	25	50
b	25	25	32	32	40	40
c	22-30	22-30	30-40	30-40	40-50	40-50
d	22	22	25	25	27	27
e	322.5	422.5	338.5	438.5	372.5	427.5
f	100	125	103	128	115	140
g	90	90	90	90	80	80
h	130	130	130	130	130	130
i	160	160	212	212	235	235
j	18	18	30	30	28	28
k	50	50	55	55	75	75
l	110	110	140	140	160	160
m	145	145	168	168	200	200
n	13	13	14	14	14	14
o	12	12	12	12	12	12
p	1.5	1.5	2.5	2.5	2.5	2.5
r P9	8	8	12	12	14	14
s	40	40	70	70	90	90
t	15	15	6	6	10	10
u	4	4	5	5	5.5	5.5
v	70	70	82	82	110	110
w h6	28	28	42	42	50	50
x	87	87	110	110	125	125

	max. beam weight	max. torque	square bar
22-30	800 kg (1760 lbs)	180 Nm (130 ft/lb)	22-30 mm (0.8661" - 1.1811")
30-40	1600 kg (3530 lbs)	350 Nm (250 ft/lb)	30-40 mm (1.1811" - 1.5748")
40-50	2800 kg (6170 lbs)	1100 Nm (800 ft/lb)	40-50 mm (1.5748" - 1.9685")

3.03

Mattenstrasse 1
D-79541 Loerrach-Hauingen

infokl@boschert.de
www.boschert.de

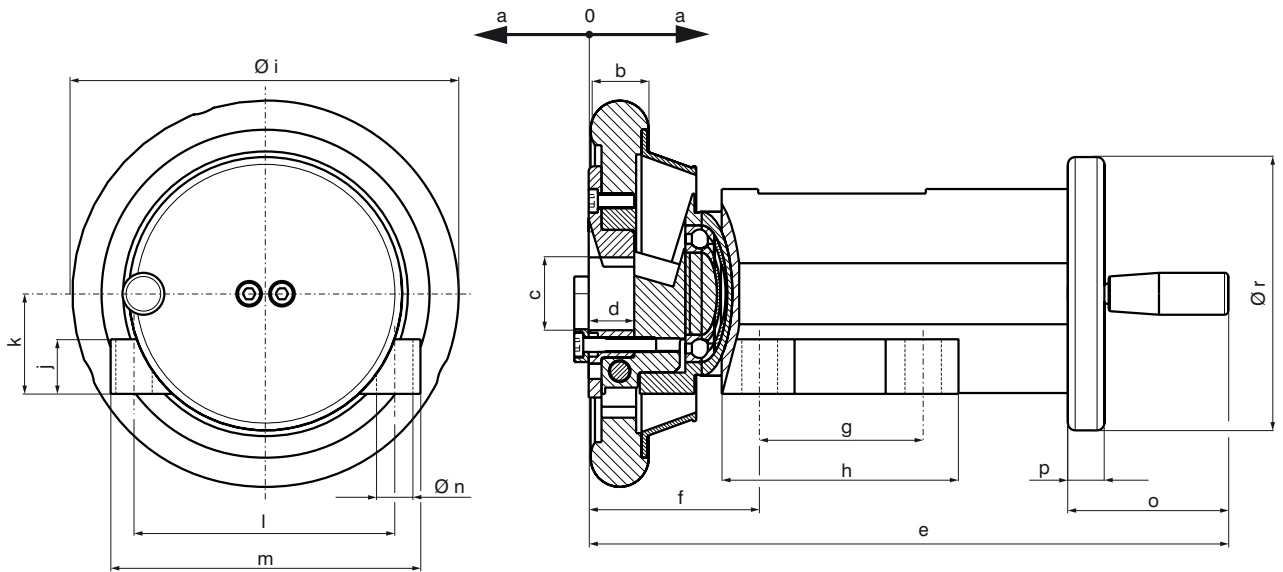
Tel.: +49 (0) 7621 / 9593 0
Fax: +49 (0) 7621 / 5518 4

Changes reserved (b)

Boschert-Sliding-Chuck dim. sheet foot mounted chuck



SKO Boschert foot mounted chuck without shaft end



SW = adjustment

Info
3.80

SW	22-30		30-40		40-50	
	50	100	50	100	50	100
a	25	50	25	50	25	50
b	25	25	32	32	40	40
c	22-30	22-30	30-40	30-40	40-50	40-50
d	22	22	25	25	27	27
e	357.5	433	360.5	435.5	381.5	456.5
f	100	125	103	128	115	140
g	90	90	90	90	80	80
h	130	130	130	130	130	130
i	160	160	212	212	235	235
j	18	18	30	30	28	28
k	50	50	55	55	75	75
l	110	110	140	140	160	160
m	145	145	168	168	200	200
n	13	13	14	14	14	14
o	83.5	84	87.5	87.5	102.5	102.5
p	16	16	20	20	20	20
r	128	128	150	150	168	168

	max. beam weight	max. torque	square bar
22-30	800 kg (1760 lbs)	180 Nm (130 ft/lb)	22-30 mm (0.8661" - 1.1811")
30-40	1600 kg (3530 lbs)	350 Nm (250 ft/lb)	30-40 mm (1.1811" - 1.5748")
40-50	2800 kg (6170 lbs)	1100 Nm (800 ft/lb)	40-50 mm (1.5748" - 1.9685")

Mattenstrasse 1
D-79541 Loerrach-Hauingen

infokl@boschert.de
www.boschert.de

Tel.: +49 (0) 7621 / 9593 0
Fax: +49 (0) 7621 / 5518 4

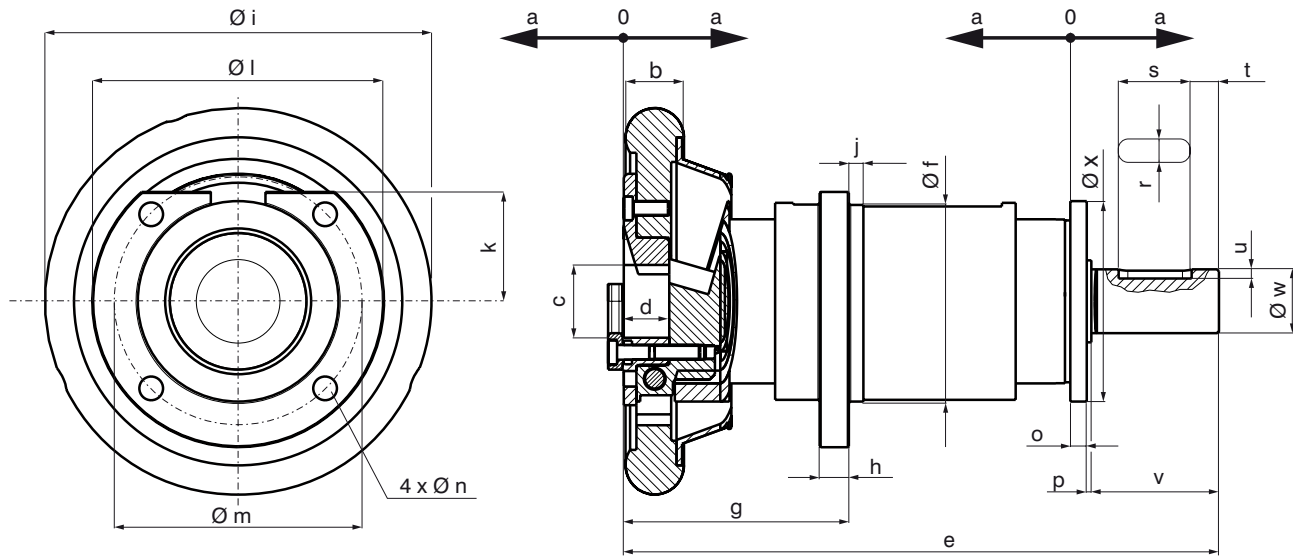
3.04

Boschert-Sliding-Chuck

dim. sheet flange mounted chuck



SKWF Boschert flange mounted chuck with shaft end



SW = adjustment

Info
3.80

SW	22-30		30-40		40-50	
	50	100	50	100	50	100
a	25	50	25	50	25	50
b	25	25	32	32	40	40
c	22-30	22-30	30-40	30-40	40-50	40-50
d	22	22	25	25	27	27
e	322.5	422.5	338.5	438.5	372.5	427.5
f f7	100	100	110	110	140	140
g	116	141	123.5	148.5	136.5	161.5
h	16	16	16	16	22	22
i	160	160	212	212	235	235
j	4	4	8	8	8	8
k	55	55	60	60	77	77
l	145	145	160	160	210	210
m	120	120	135	135	170	170
n	11	11	13	13	18	18
o	12	12	12	12	12	12
p	1.5	1.5	2.5	2.5	2.5	2.5
r P9	8	8	12	12	14	14
s	40	40	70	70	90	90
t	15	15	6	6	10	10
u	4	4	5	5	5.5	5.5
v	70	70	82	82	110	110
w h6	28	28	42	42	50	50
x	87	87	110	110	125	125

	max. beam weight	max. torque	square bar
22-30	800 kg (1760 lbs)	180 Nm (130 ft/lb)	22-30 mm (0.8661" - 1.1811")
30-40	1600 kg (3530 lbs)	350 Nm (250 ft/lb)	30-40 mm (1.1811" - 1.5748")
40-50	2800 kg (6170 lbs)	1100 Nm (800 ft/lb)	40-50 mm (1.5748" - 1.9685")

3.05

Mattenstrasse 1
D-79541 Loerrach-Hauingen

infokl@boschert.de
www.boschert.de

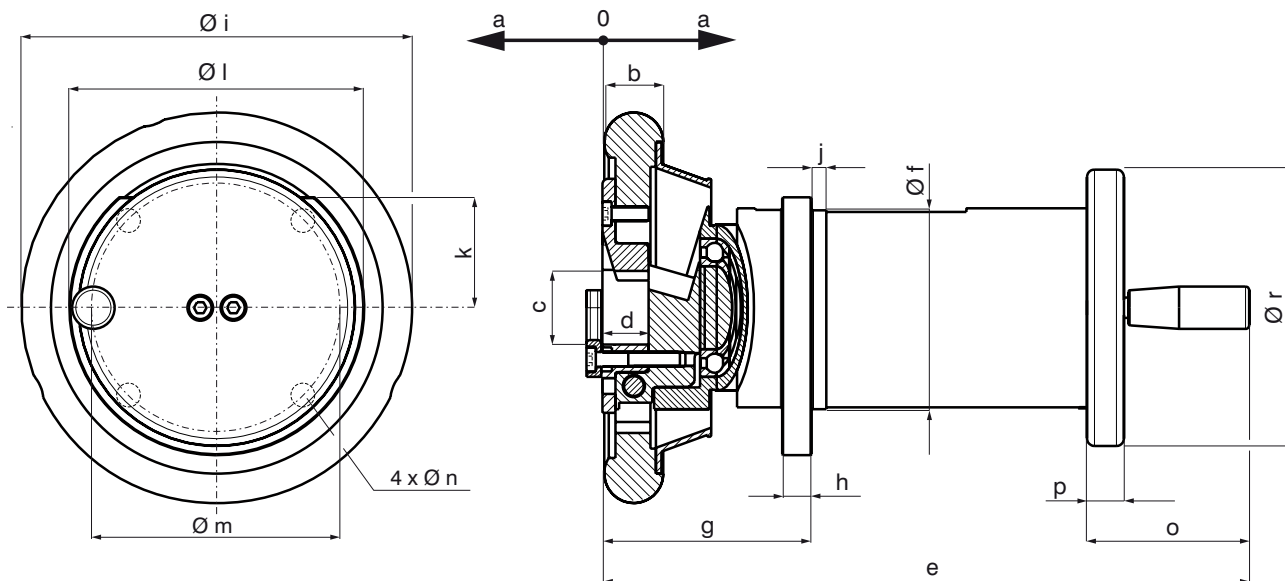
Tel.: +49 (0) 7621 / 9593 0
Fax: +49 (0) 7621 / 5518 4

Changes reserved (c)

Boschert-Sliding-Chuck dim. sheet flange mounted chuck



SKOF Boschert flange mounted chuck without shaft end



SW = adjustment

Info
3.80

SW	22-30		30-40		40-50	
	50	100	50	100	50	100
a	25	50	25	50	25	50
b	25	25	32	32	40	40
c	22-30	22-30	30-40	30-40	40-50	40-50
d	22	22	25	25	27	27
e	357.5	433	360.5	435.5	381.5	456.5
f f7	100	100	110	110	140	140
g	116	141	123.5	148.5	136.5	161.5
h	16	16	16	16	22	22
i	160	160	212	212	235	235
j	4	4	8	8	8	8
k	55	55	60	60	77	77
l	145	145	160	160	210	210
m	120	120	135	135	170	170
n	11	11	13	13	18	18
o	83.5	84	87.5	87.5	102.5	102.5
p	16	16	20	20	20	20
r	128	128	150	150	168	168

	max. beam weight	max. torque	square bar
22-30	800 kg (1760 lbs)	180 Nm (130 ft/lb)	22-30 mm (0.8661" - 1.1811")
30-40	1600 kg (3530 lbs)	350 Nm (250 ft/lb)	30-40 mm (1.1811" - 1.5748")
40-50	2800 kg (6170 lbs)	1100 Nm (800 ft/lb)	40-50 mm (1.5748" - 1.9685")

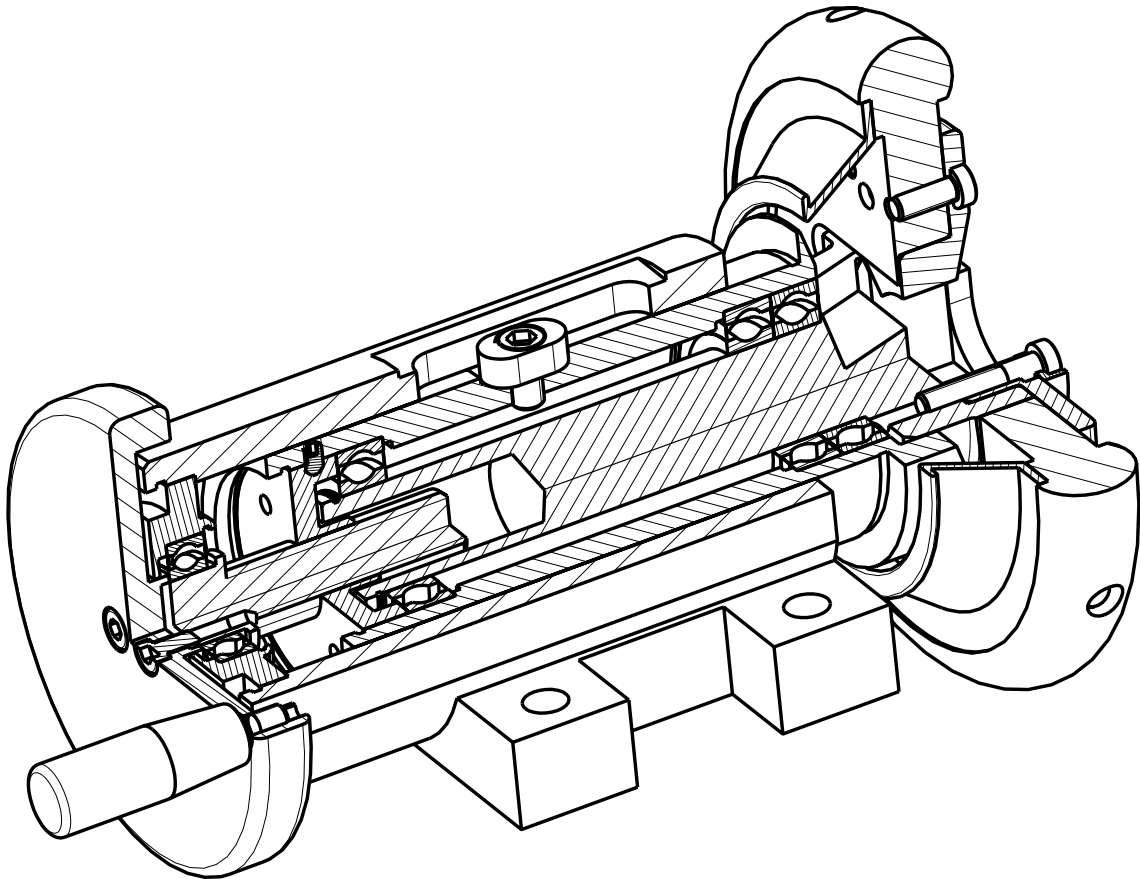
Mattenstrasse 1
D-79541 Loerrach-Hauingen

infokl@boschert.de
www.boschert.de

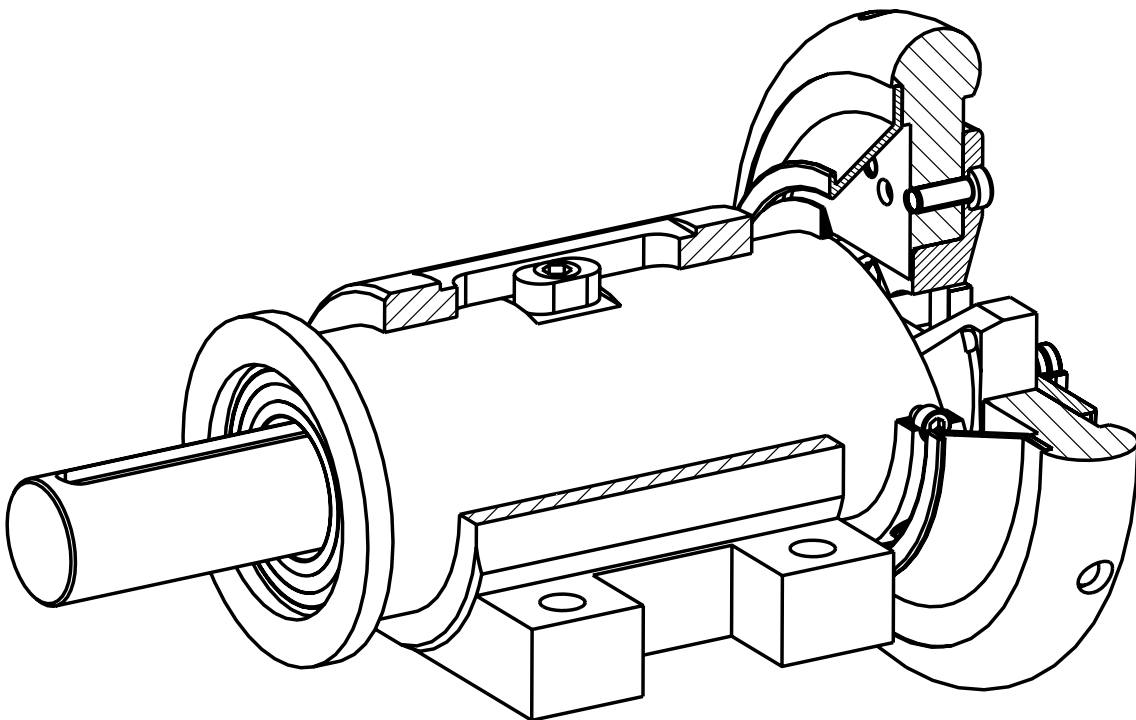
Tel.: +49 (0) 7621 / 9593 0
Fax: +49 (0) 7621 / 5518 4

3.06

Construction Sliding-Chuck

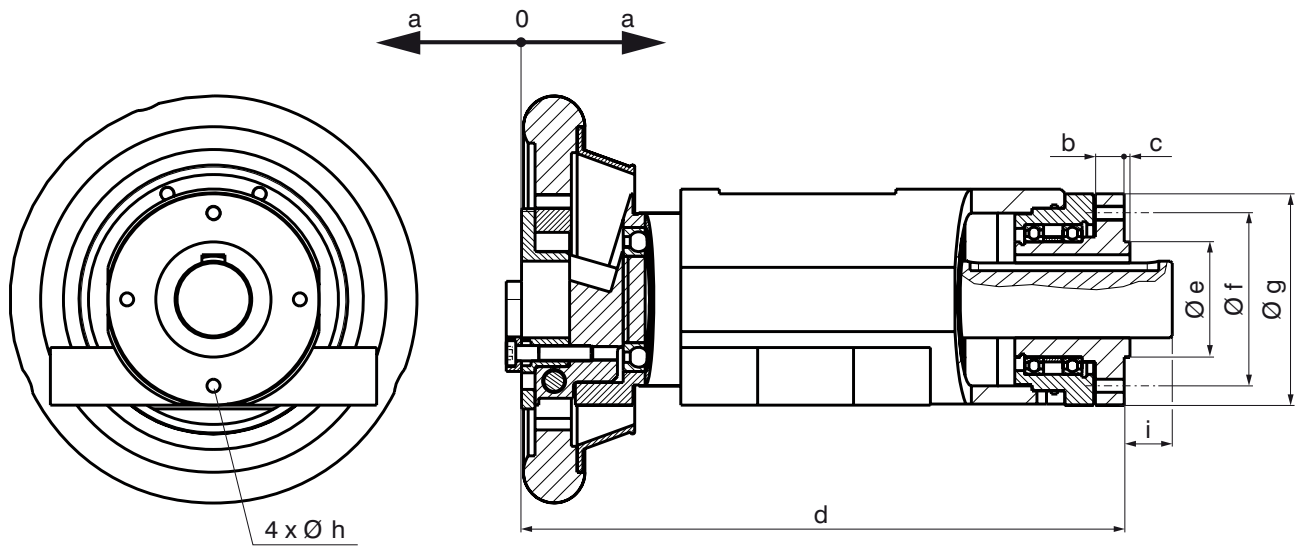


SKO foot mounted chuck without shaft end

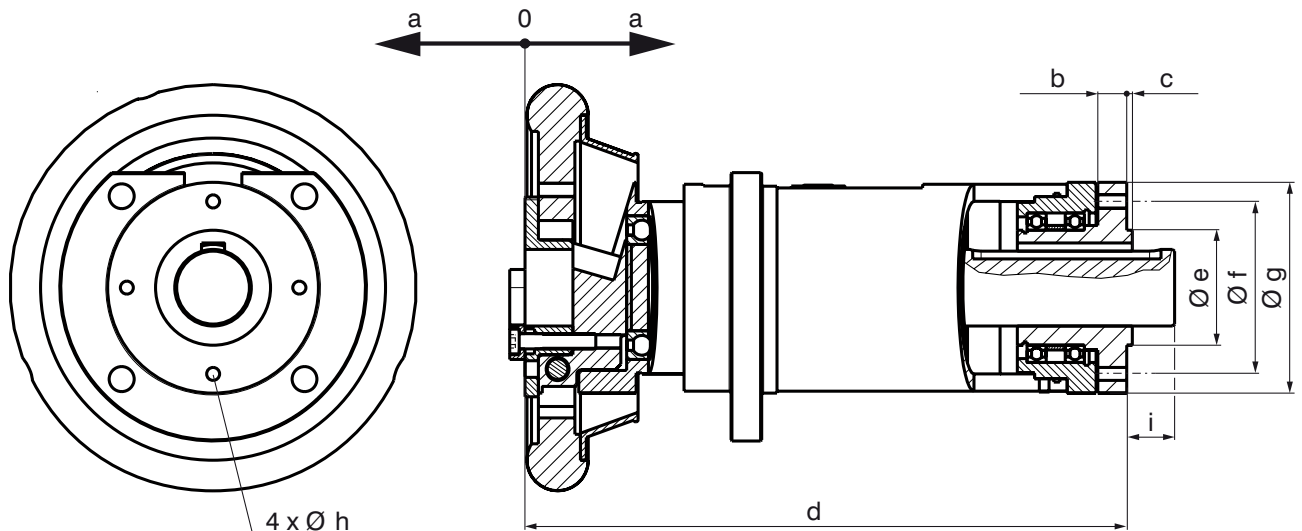


SKW foot mounted chuck with shaft end

Boschert-Sliding-Chuck with axial fixed drive



SKW foot mounted chuck



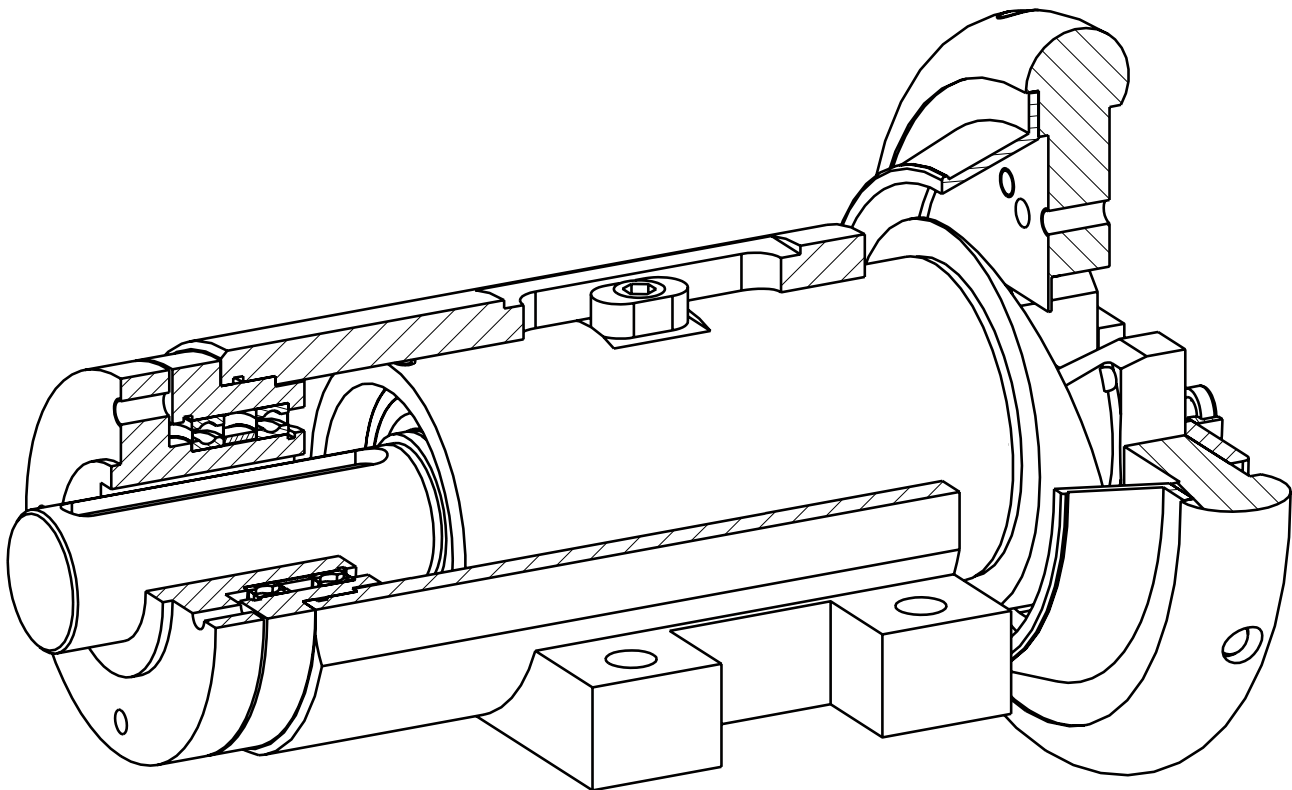
SKWF flange mounted chuck
SW = adjustment

	22-30		30-40		40-50	
SW	50	100	50	100	50	100
a	25	50	25	50	25	50
b	12	12	15	15	15	15
c	3	3	3	3	3	3
d	308	383	314	389	330	405
e h7	50	50	60	60	76	76
f	75	75	90	90	110	110
g	98	98	110	110	138	138
h	M 8	M8	M 8	M 8	M 10	M 10
i	30	50	25	50	31	56

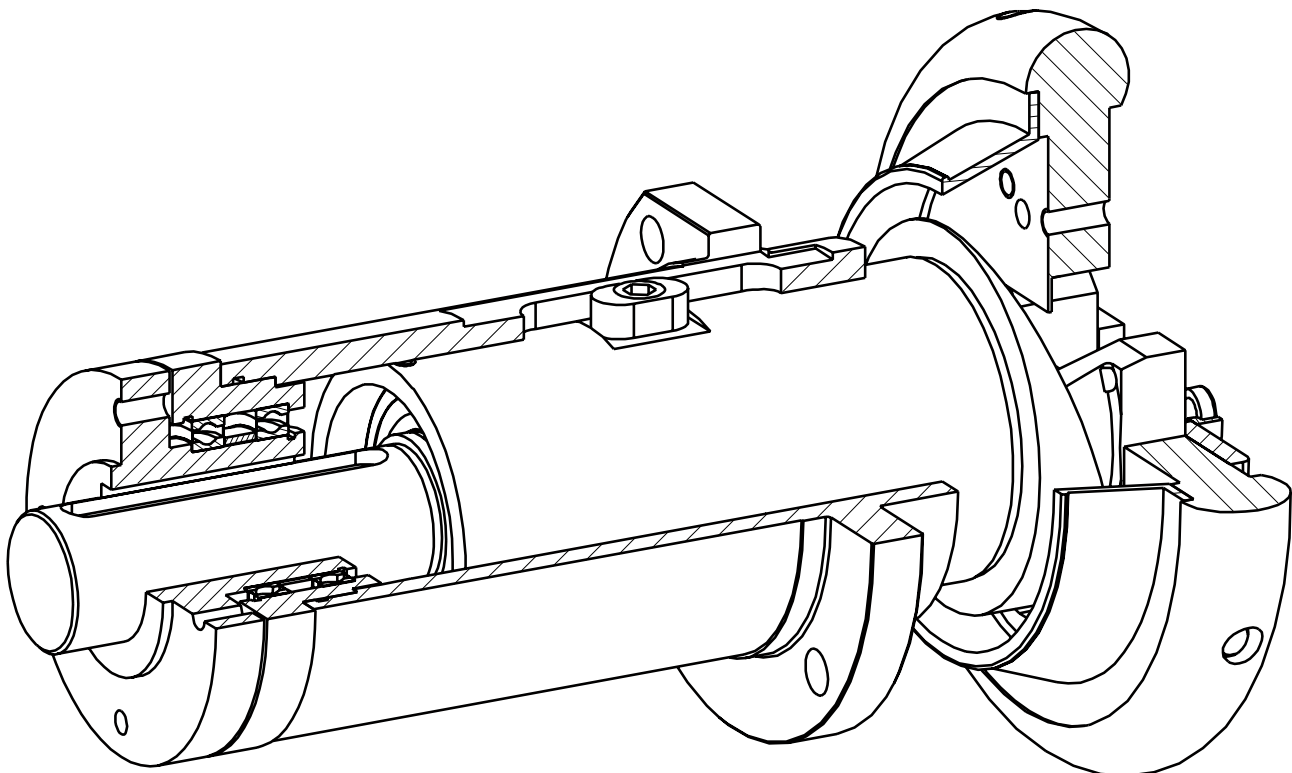
for dimensions not shown please see page 3.04 / 3.06

	max. beam weight	max. torque	square bar
22-30	800 kg (1760 lbs)	180 Nm (130 ft/lb)	22-30 mm (0.8661" - 1.1811")
30-40	1600 kg (3530 lbs)	350 Nm (250 ft/lb)	30-40 mm (1.1811" - 1.5748")
40-50	2800 kg (6170 lbs)	1100 Nm (800 ft/lb)	40-50 mm (1.5748" - 1.9685")

Construction Sliding-Chuck with axial fixed drive

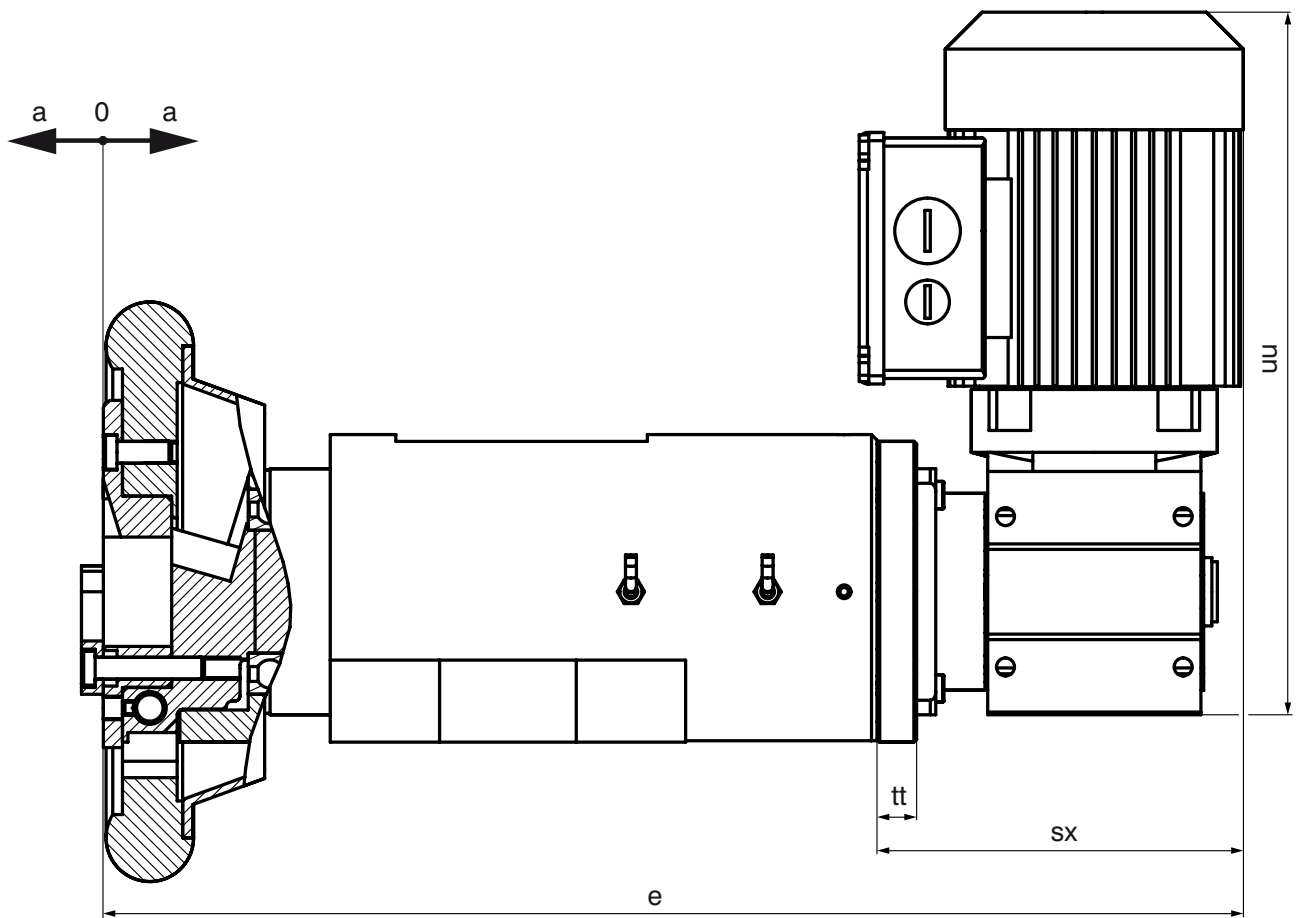


SKW foot mounted chuck



SKWF flange mounted chuck

Boschert-Sliding-Chuck with motorized adjustment



SKO foot mounted chuck

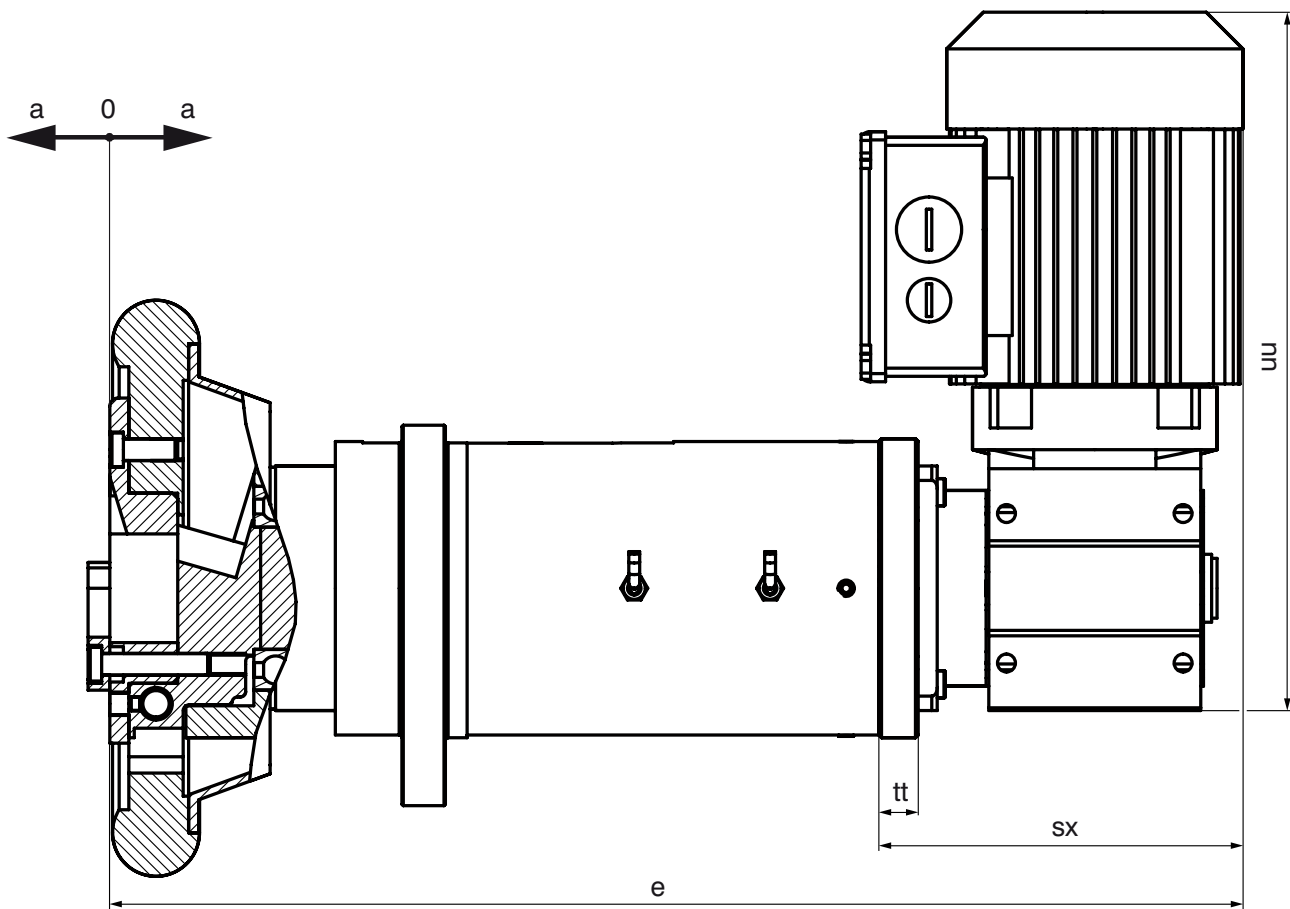
SW = adjustment

	22-30		30-40		40-50	
SW	50	100	50	100	50	100
a	25	50	25	50	25	50
e	412.5	489.5	417	492	425	499
sx	134	134	134	134	134	134
tt	14	14	14.5	14.5	14.5	14.5
uu	267	267	267	267	267	267

for dimensions not shown please see page 3.04

	max. beam weight	max. torque	square bar
22-30	800 kg (1760 lbs)	180 Nm (130 ft/lb)	22-30 mm (0.8661" - 1.1811")
30-40	1600 kg (3530 lbs)	350 Nm (250 ft/lb)	30-40 mm (1.1811" - 1.5748")
40-50	2800 kg (6170 lbs)	1100 Nm (800 ft/lb)	40-50 mm (1.5748" - 1.9685")

Boschert-Sliding-Chuck with motorized adjustment



SKOF flange mounted chuck

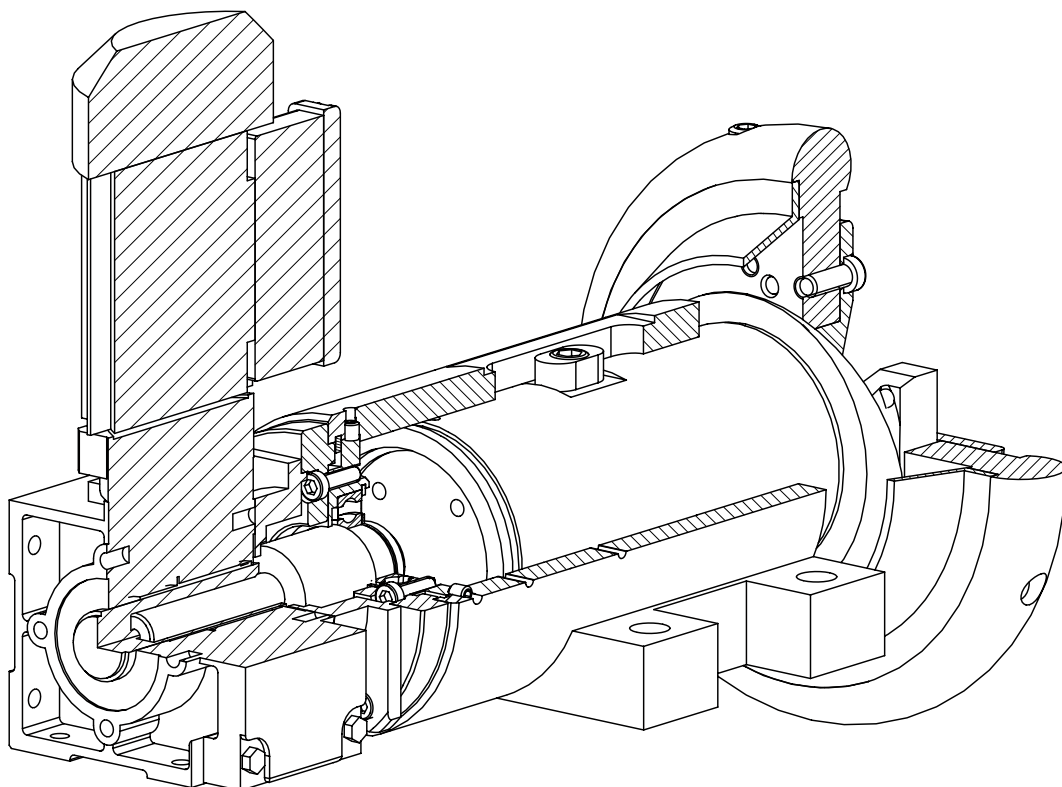
SW = adjustment

	22-30		30-40		40-50	
SW	50	100	50	100	50	100
a	25	50	25	50	25	50
e	412.5	489.5	417	492	425	499
sx	134	134	134	134	134	134
tt	14	14	14.5	14.5	14.5	14.5
uu	267	267	267	267	267	267

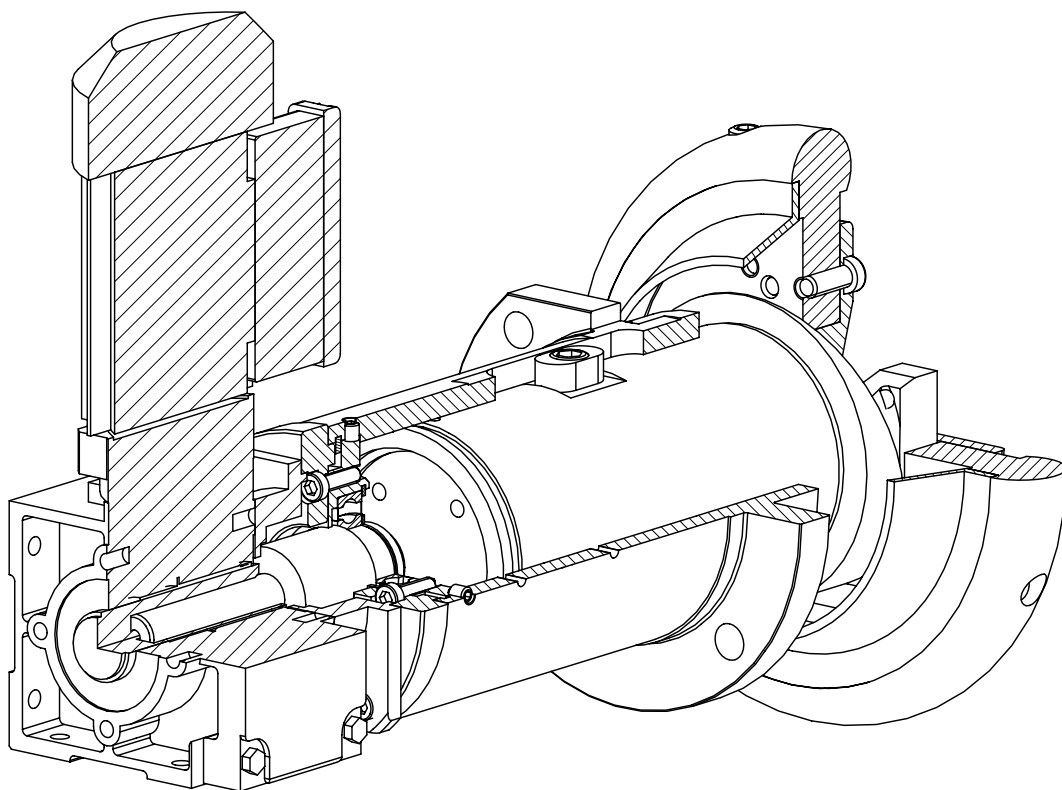
for dimensions not shown please see page 3.06

	max. beam weight	max. torque	square bar
22-30	800 kg (1760 lbs)	180 Nm (130 ft/lb)	22-30 mm (0.8661" - 1.1811")
30-40	1600 kg (3530 lbs)	350 Nm (250 ft/lb)	30-40 mm (1.1811" - 1.5748")
40-50	2800 kg (6170 lbs)	1100 Nm (800 ft/lb)	40-50 mm (1.5748" - 1.9685")

Construction Sliding-Chuck with motorized adjustment

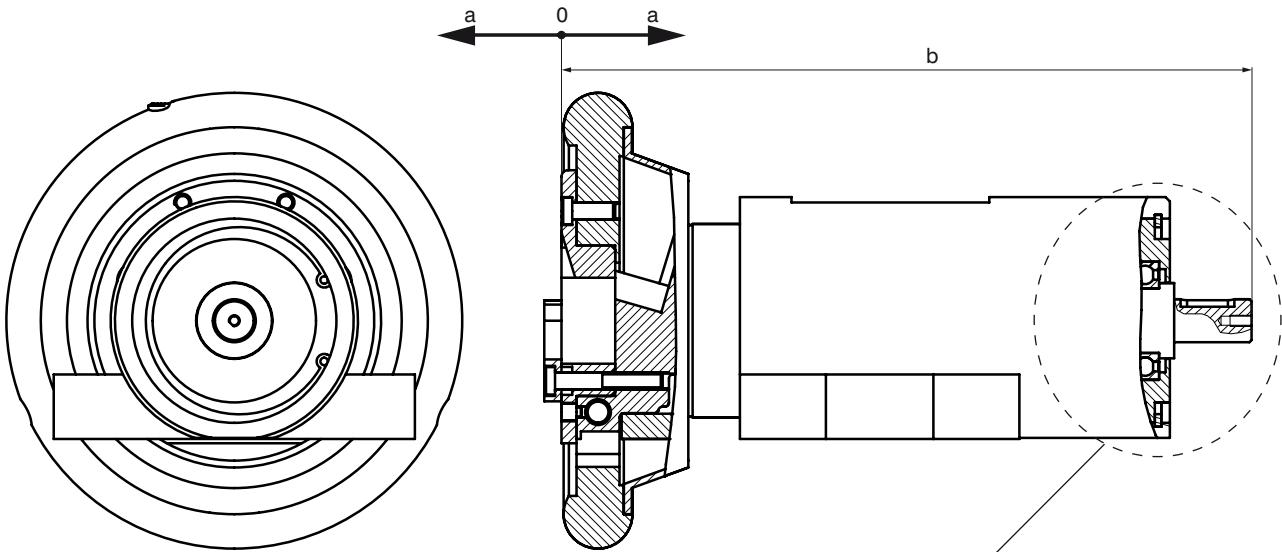


SKO foot mounted chuck

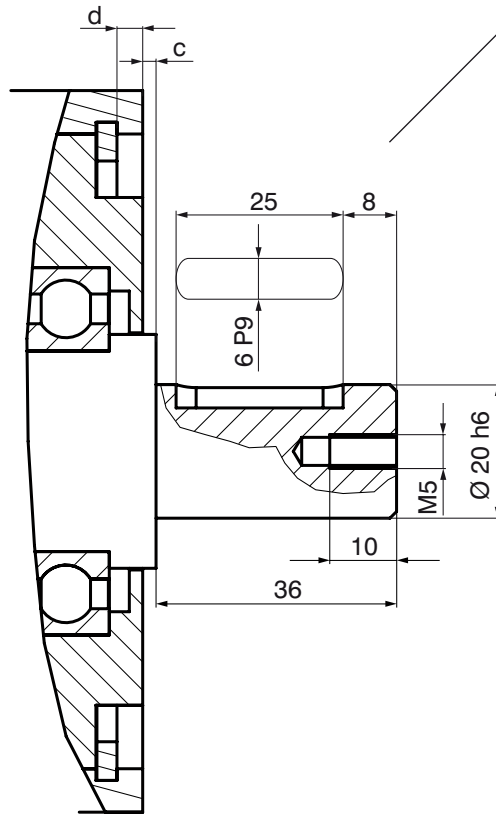


SKOF flange mounted chuck

Boschert-Sliding-Chuck for motorized adjustment



SKO foot mounted chuck

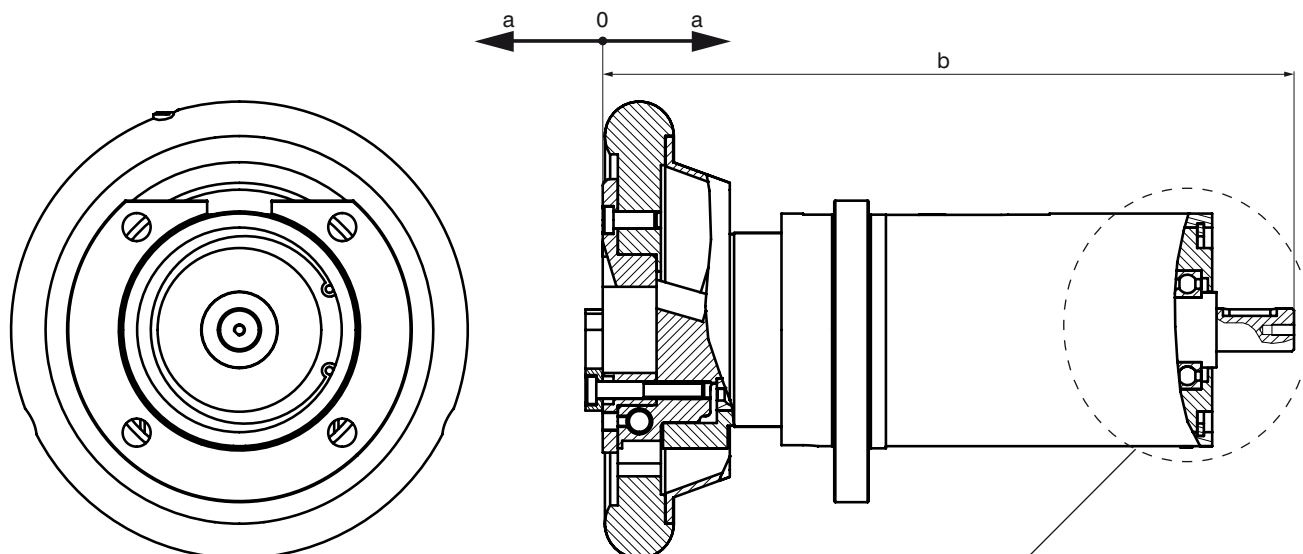


SW = adjustment

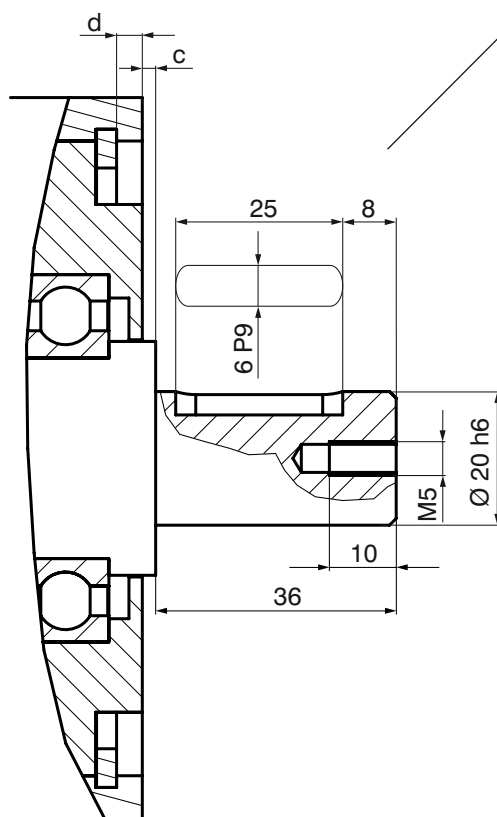
	22-30		30-40		40-50	
SW	50	100	50	100	50	100
a	25	50	25	50	25	50
b	317	394	321	396	327	402
c	2	2	2	2	1	1
d	3.5	3.5	4	4	3.5	3.5

for dimensions not shown please see page 3.04

Boschert-Sliding-Chuck for motorized adjustment



SKOF flange mounted chuck

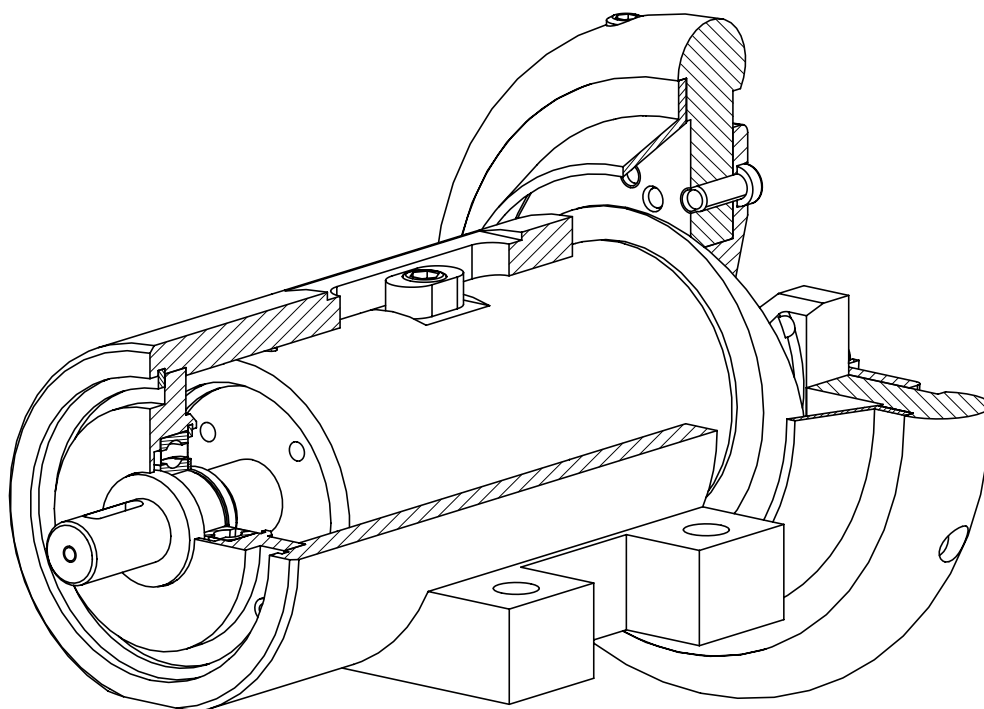


SW = adjustment

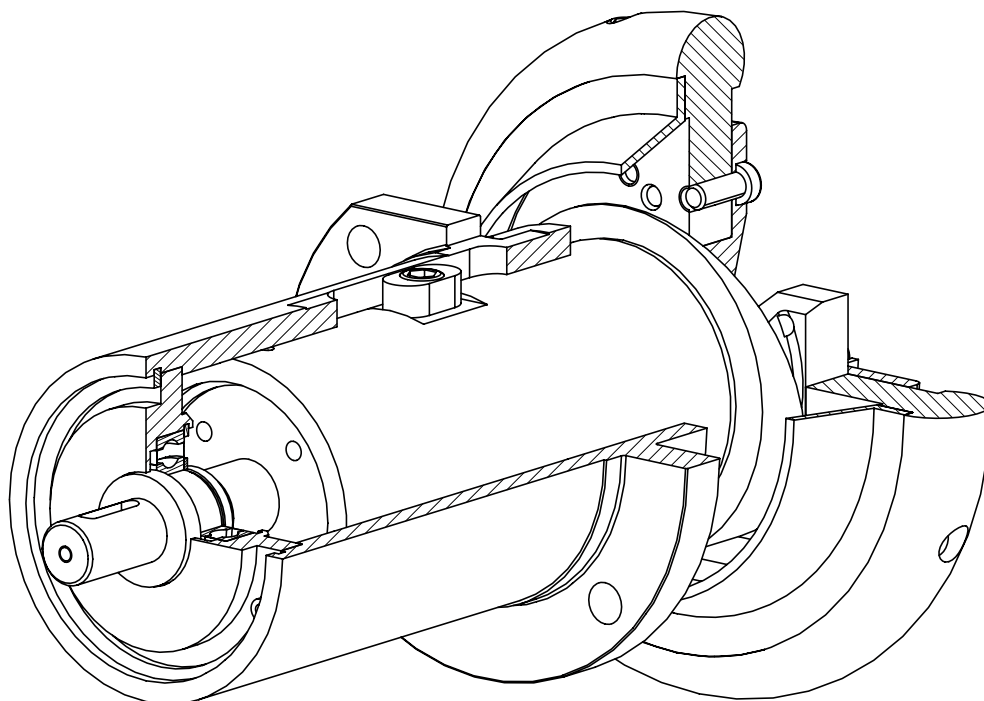
	22-30		30-40		40-50	
SW	50	100	50	100	50	100
a	25	50	25	50	25	50
b	317	394	321	396	327	402
c	2	2	2	2	1	1
d	3.5	3.5	4	4	3.5	3.5

for dimensions not shown please see page 3.06

Construction Sliding-Chuck for motorized adjustment



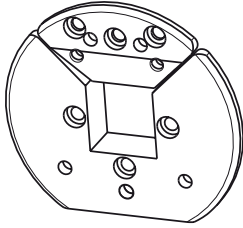
SKO foot mounted chuck



SKOF flange mounted chuck

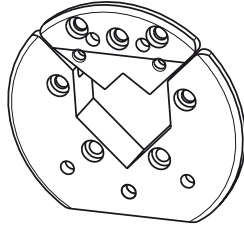
Boschert-Sliding-Chuck options

VT-insert



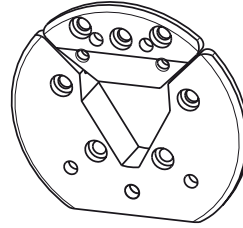
VT 1

Info: 11.10



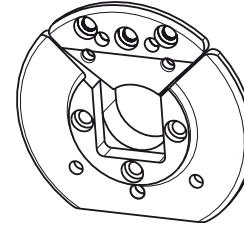
VT 2

Info: 11.10



VT 6

Info: 11.11



VT 7

Info: 11.12

Note at VT2 and VT7 Chucks:

max. weight = 0.8 x catalogue value

max. torque = 0.7 x catalogue value

Info
11.20

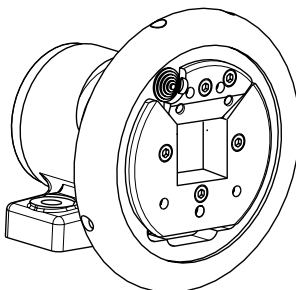
Shaft end

type	max. shaft-dia.
22-30	Ø 30 mm
30-40	Ø 45 mm
40-50	Ø 55 mm

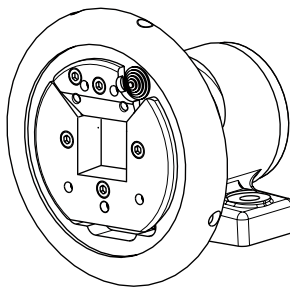
Special shaft ends per customer request

Max. shaft-dia.: see table
(special shaft without stop)

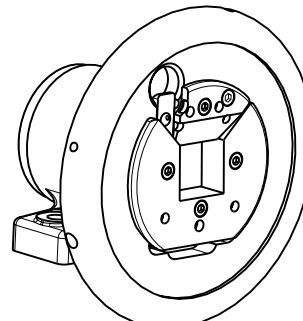
Handwheel lock



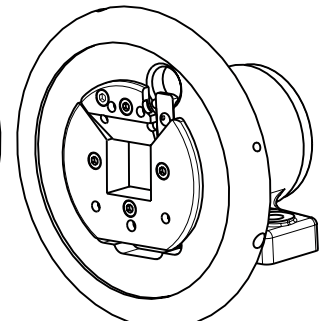
HRV I left



HRV I right



HRV II left



HRV II right

Only 22-30

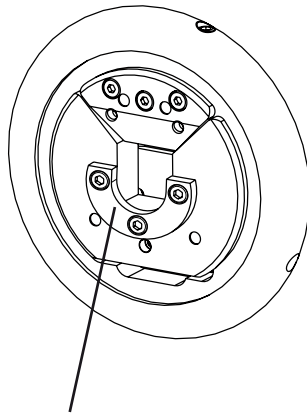
Due to safety reasons we recommend
handwheel locks on applications in turret winders.

Info
8.30

Info
8.31

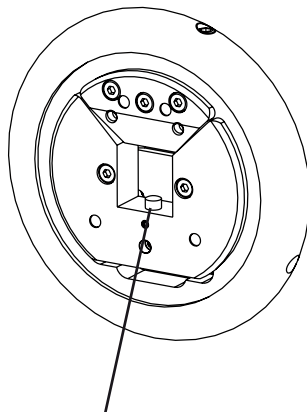
Handwheel-diameter on chucks 30-40 / 40-50 with lock type II: Ø 250 mm

Axial locking of winding shaft



Axial locking with driver disc

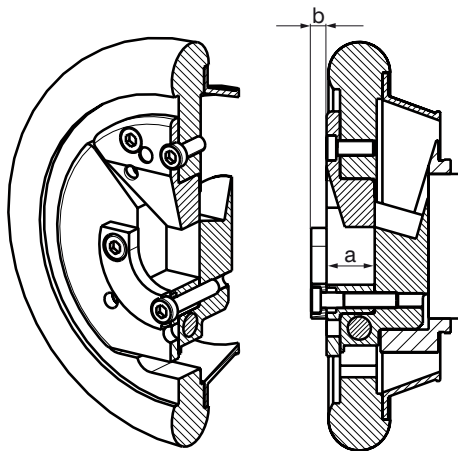
	standard	Option
VT 1		x
VT 2	x	
VT 6	x	
VT 7	x	



Axial locking with driver pin

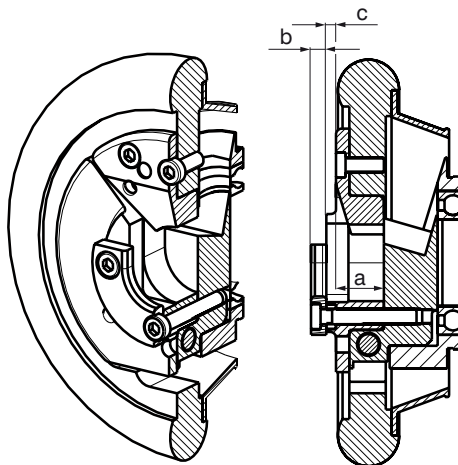
	standard	Option
VT1	x	

Dimensions axial locking in Sliding-Chuck



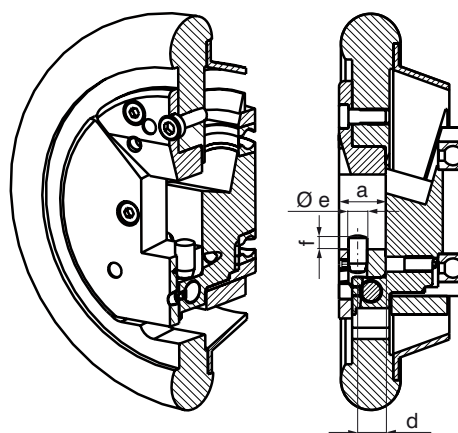
driver disc VT1 / VT2 / VT6

	22-30	30-40	40-50
a	22	25	27
b	7	8	8



driver disc VT7

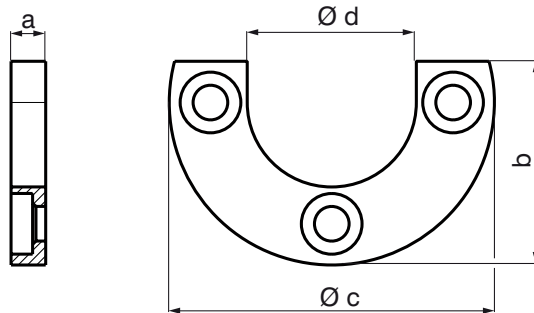
	22-30	30-40	40-50
a	22	25	27
b	7.5	7.5	7.5
c	3	5	4



driver pin

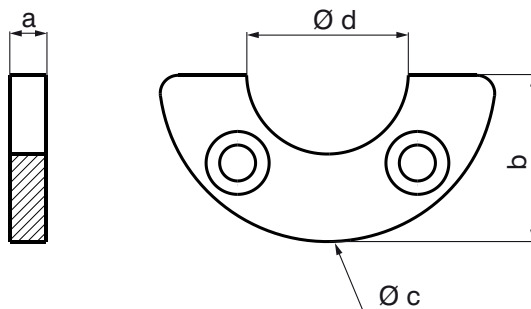
	22-30	30-40	40-50
a	22	25	27
d	12	15	14
e m6	8	10	12
f	6	6	6

VT 1



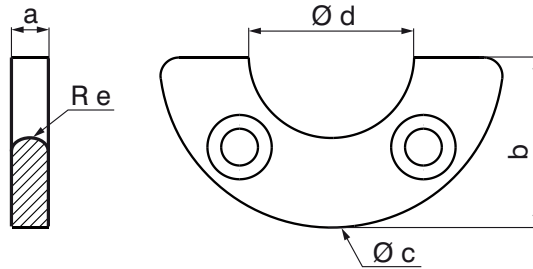
	Mini	19-25	22-30	30-40	40-50
a	5	5	7	8	8
b	31	30	38	47	55
c	48	48	60	75	90
d	d = square bar dimension - 1 +0,1				

VT 2



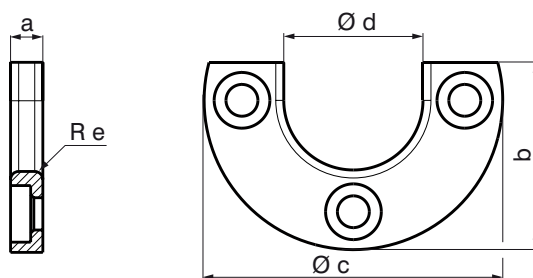
	22-30	30-40	40-50
a	7	8	8
b	29	37	44
c	60	75	90
d	d = square bar dimension - 1 +0,1		

VT 6



	Mini	19-25	22-30	30-40	40-50
a	7	7	7	8	8
b	23	23	29	37	44
c	48	48	60	75	90
d	20 +0.1	20 +0.1	30 +0.1	36 +0.1	46 +0.1
e	3.5	3.5	3.5	4	4

VT 7

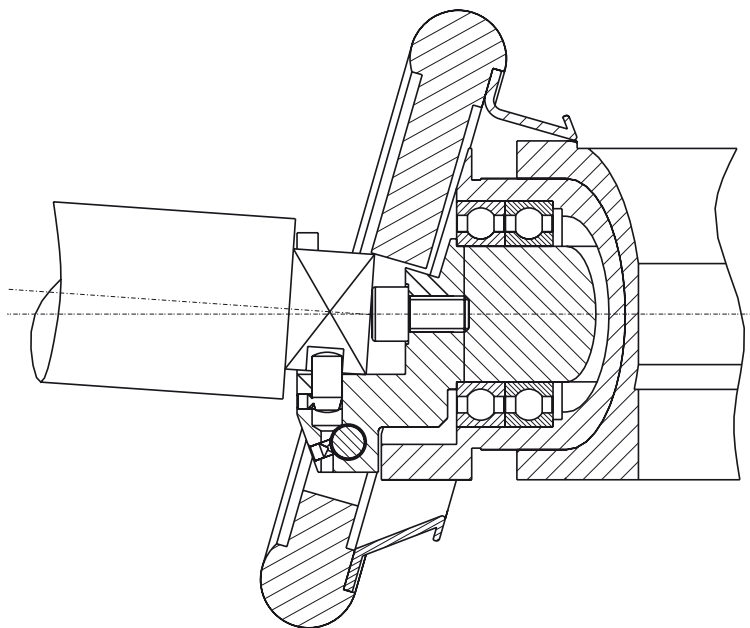
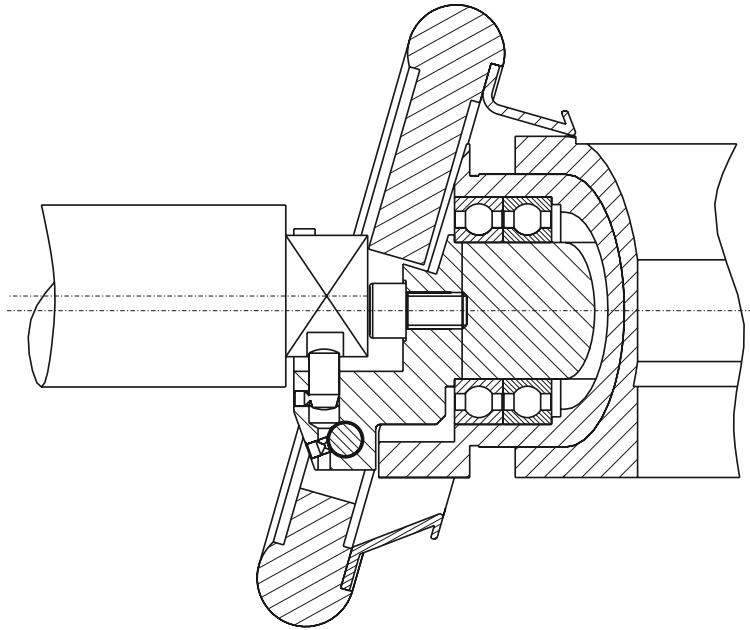


	22-30	30-40	40-50
a	7.5	7.5	7.5
b	38	47	55
c	60	75	90
d	29 +0.1	39 +0.1	49 +0.1
e	2	2	2

Comment to operation of chucks

For chucks with axial-movement with driver pin

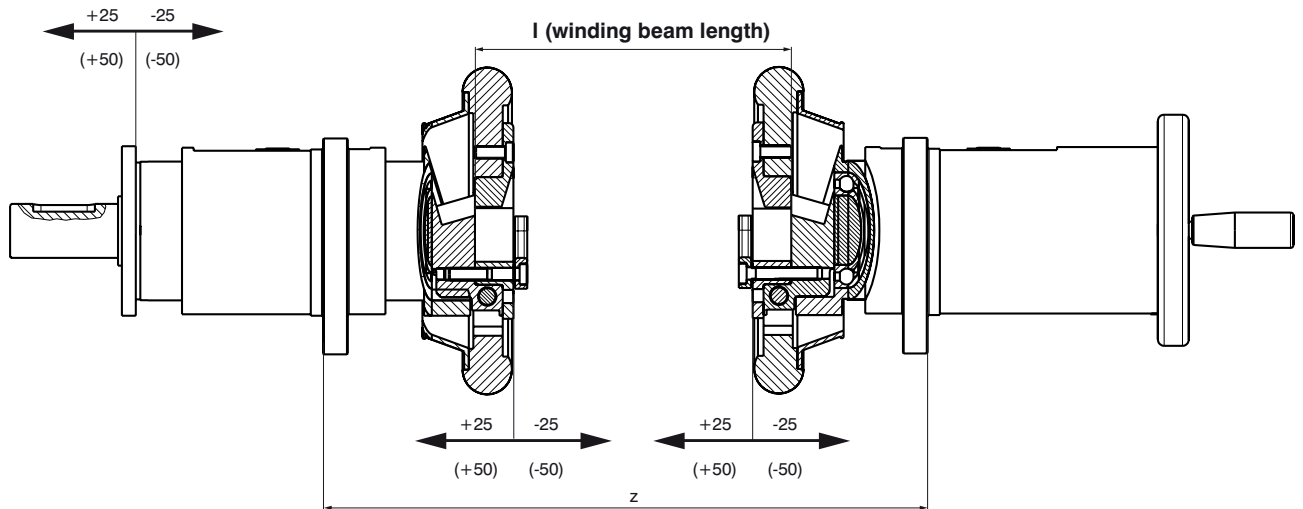
Occasionally, operation errors can occur when using a crane and the driver pins can become damaged. During unloading, if the winding shaft is lifted at an angle, enormous leverages can occur on the pins and cause them to shear.



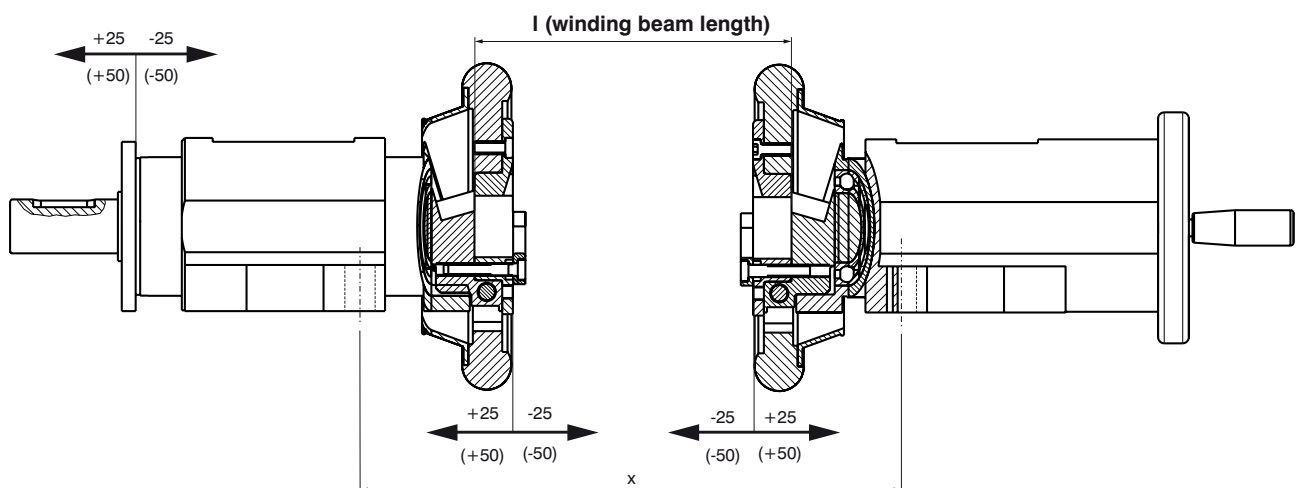
Please use driver discs as an alternative.

Fixing positions Sliding-Chuck

flange mounted chuck



foot mounted chuck



50 mm adjustment

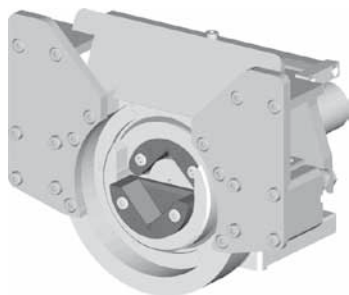
	22-30	30-40	40-50
x	l+156	l+156	l+176
z	l+188	l+197	l+219

100 mm adjustment

	22-30	30-40	40-50
x	l+206	l+206	l+226
z	l+238	l+247	l+269

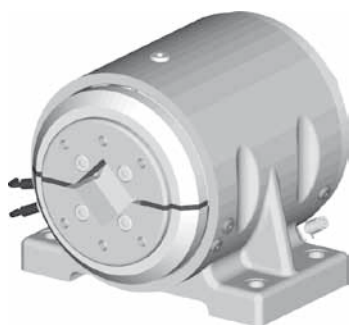
x / z = fixing distance

4.00 Overview pneumatic Safety Chucks



A Serie

<i>Model</i>	<i>max. beam weight / kg</i>	<i>max. torque / Nm</i>	<i>Standard square bar/ mm</i>	<i>Type VT</i>	<i>Info</i>
A40	1600	350	40	x	4.20
A50	2800	1100	50	x	4.30
A80	7000	2350	80	x	4.40



P Serie

<i>Model</i>	<i>max. beam weight / kg</i>	<i>max. torque / Nm</i>	<i>Standard square bar/ mm</i>	<i>Type VT</i>	<i>Info</i>
P40	1600	350	40	x	4.60
P50	2800	1100	50	x	4.70

4.20 Boschert-Chuck A40



A40 STO

Boschert automatic chuck, foot mounted without shaft end

A40 STW

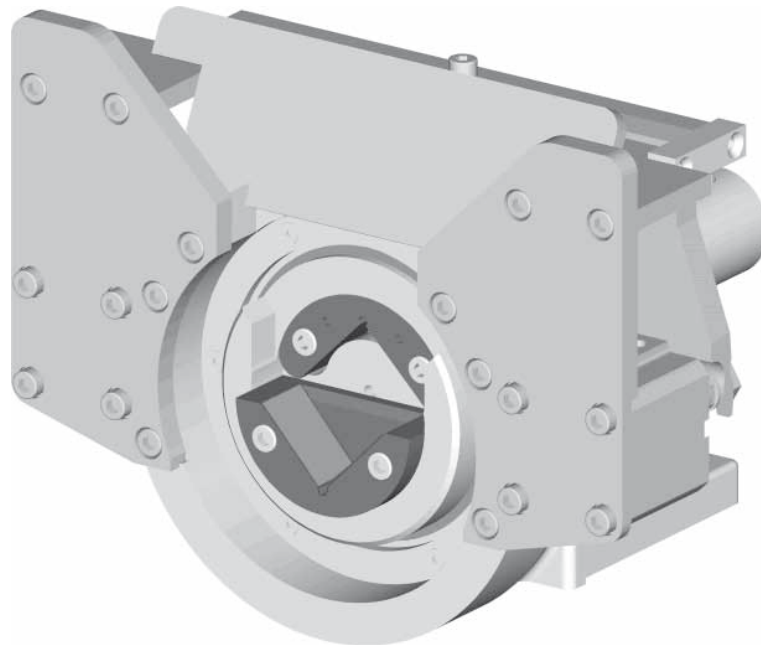
Boschert automatic chuck, foot mounted with shaft end

A40 FLO


Boschert automatic chuck, flange mounted without shaft end

A40 FLW

Boschert automatic chuck, flange mounted with shaft end



Standard Square bar:  40 mm (1.5748")

max. beam weight:  1600 kg (3530 lbs)

max. torque:  350 Nm (258.1 ft/lb)

Please note:

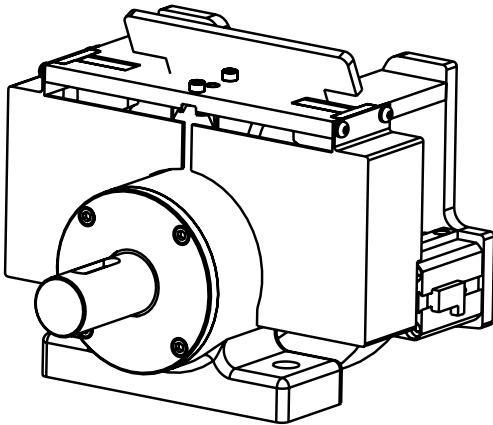
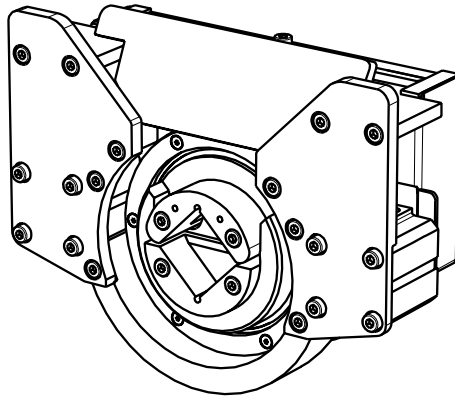
This chuck is a direct retrofit for the chuck 30-40 type C or 30-40 type VT.

		Info
Type:	VT	4.44
Journal shaft type VT:	VT2	4.23
Shaft end:	standard	4.23
Options:	proximity sensor	4.23
Add. parts:	brakes	6.00
	clutches	7.00

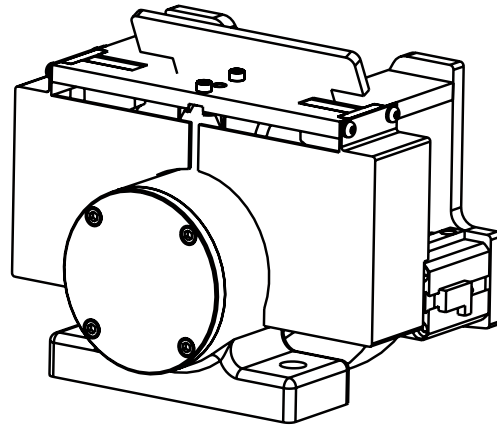
Boschert-Chuck A40 foot mounted



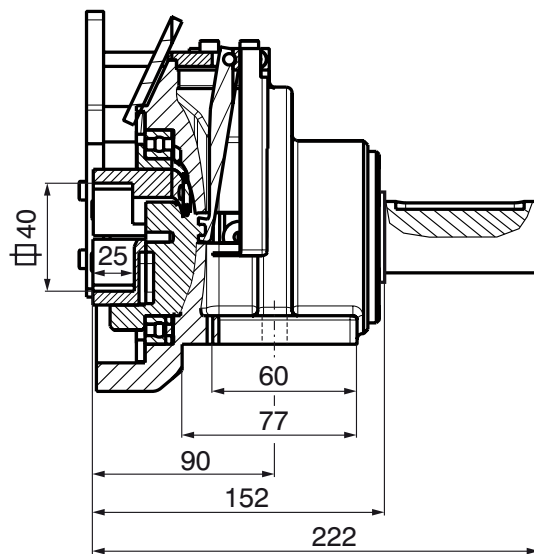
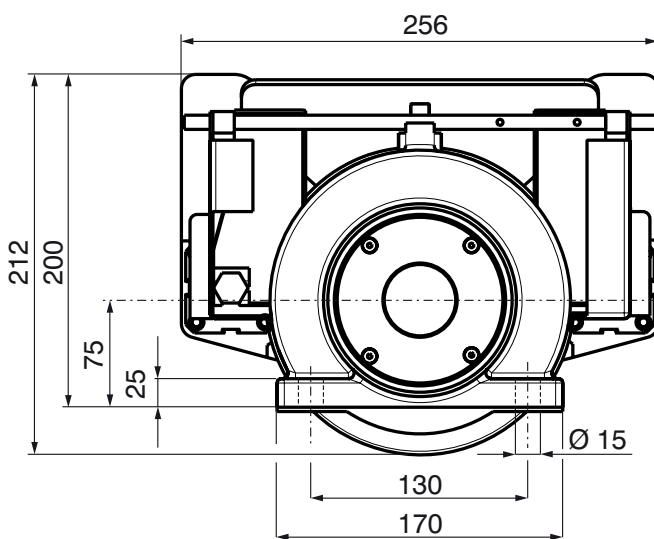
Boschert-Chuck A40



STW A40
chuck with shaft end



STO A40
chuck without shaft end

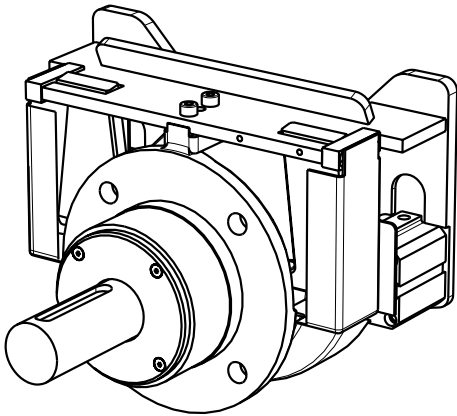
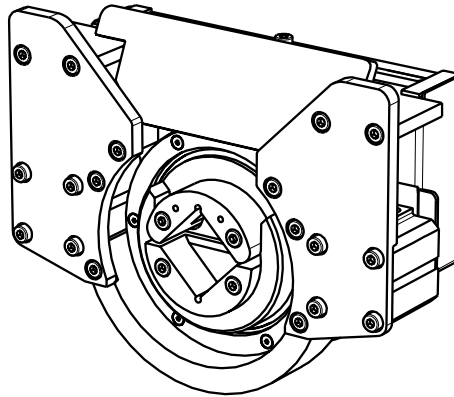


Shaft end details page 4.23

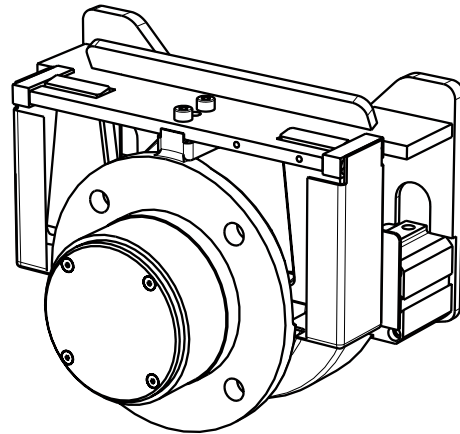
Boschert-Chuck A40 flange mounted



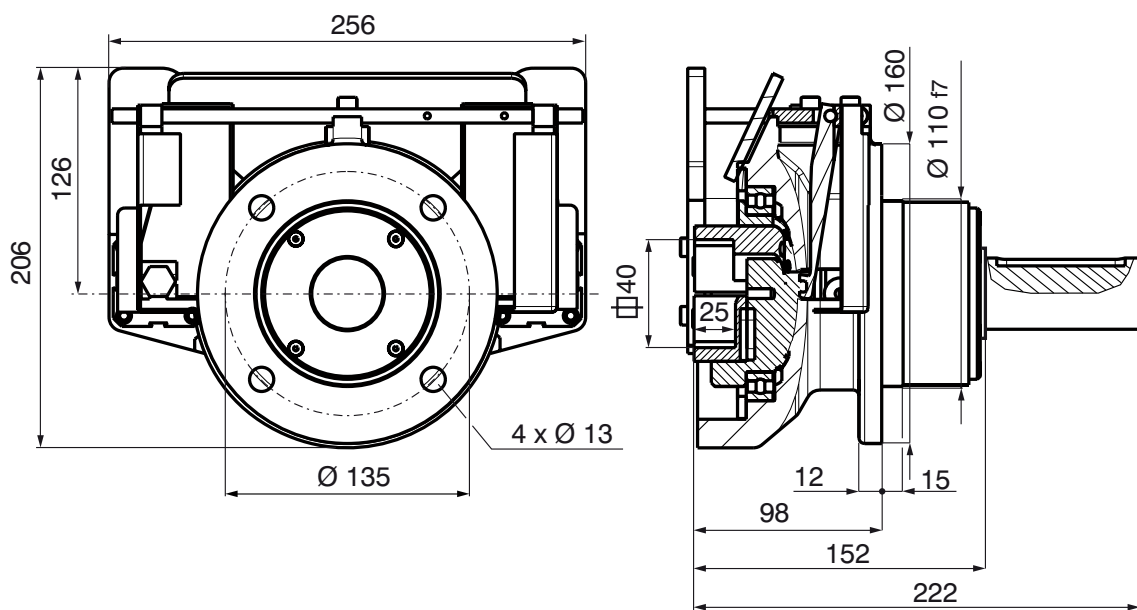
Boschert-Chuck A40



FLW A40
chuck with shaft end



FLO A40
chuck without shaft end



Shaft end details page 4.23

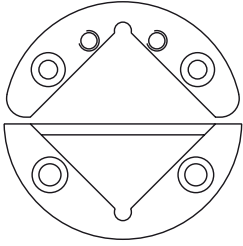
Mattenstrasse 1
D-79541 Loerrach-Hauingen

infokl@boschert.de
www.boschert.de

Tel.: +49 (0) 7621 / 9593 0
Fax: +49 (0) 7621 / 5518 4

Boschert-Chuck A40 options

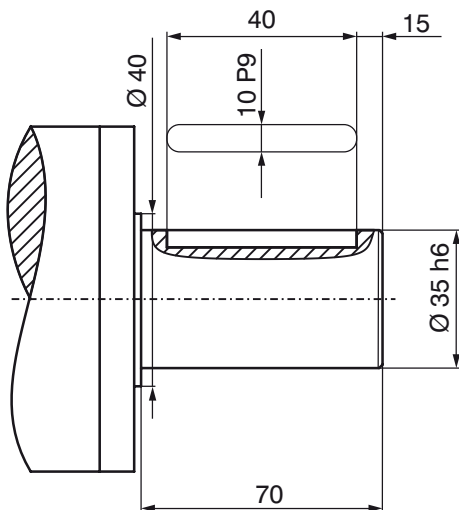
Journal shaft type



VT 2

Info: 11.10

Shaft end

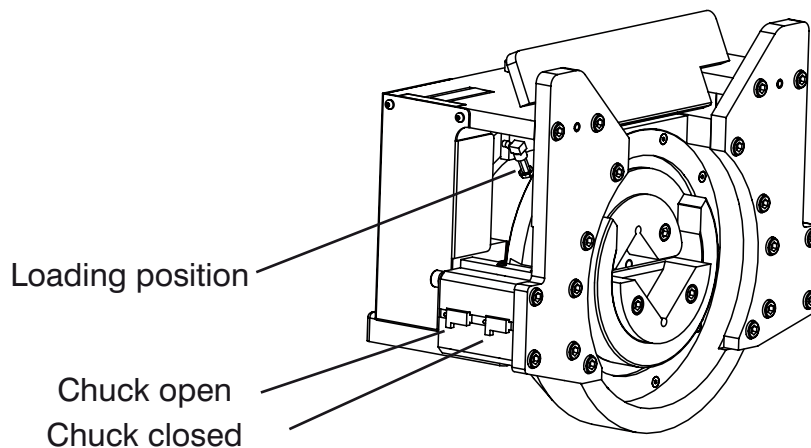


Standard shaft end

Special shaft ends per customer request

Max. shaft-dia.: Ø 40 mm
(special shaft without stop)

Proximity sensor



4.30 Boschert-Chuck A50



A50 STO

Boschert automatic chuck, foot mounted without shaft end

A50 STW

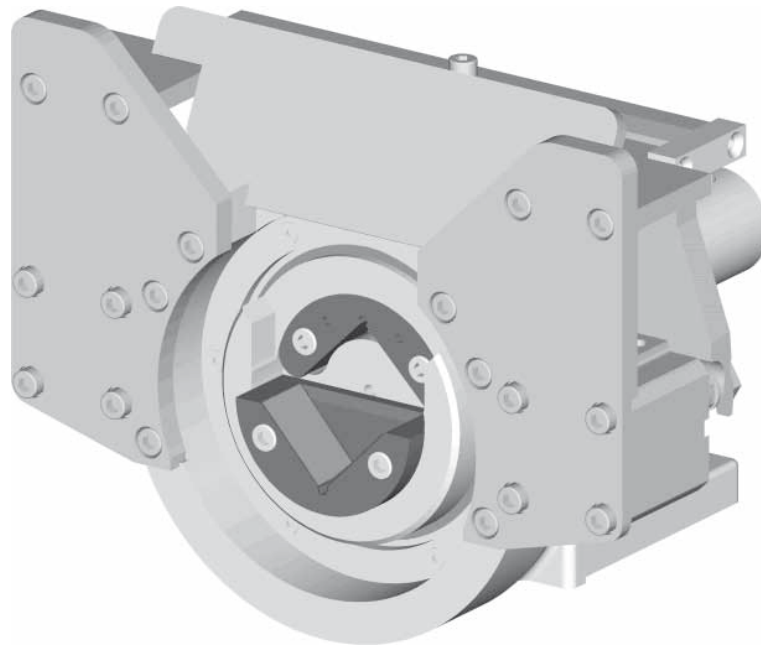
Boschert automatic chuck, foot mounted with shaft end

A50 FLO


Boschert automatic chuck, flange mounted without shaft end

A50 FLW

Boschert automatic chuck, flange mounted with shaft end



Standard Square bar:  50 mm (1.9658")

max. Beam weight:  2800 kg (6170 lbs)

max. torque:  1100 Nm (800 ft/lb)

Please note:

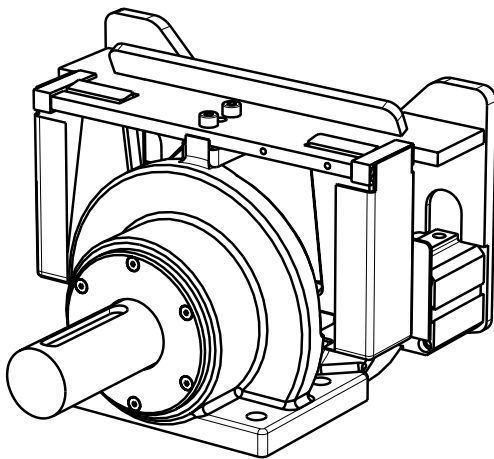
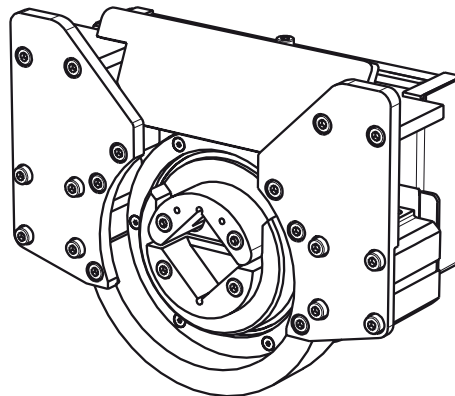
This chuck is a direct retrofit for the chuck 40-50 type C or 40-50 type VT.

		Info
Type:	VT	4.44
Journal shaft type VT:	VT2	4.33
Shaft end:	standard	4.33
Options:	proximity sensor	4.33
Add. parts:	brakes	6.00
	clutches	7.00

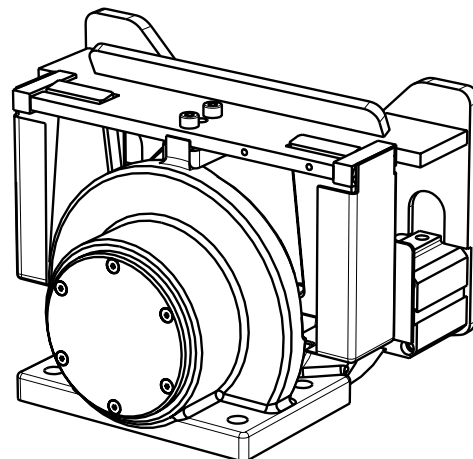
Boschert-Chuck A50 foot mounted



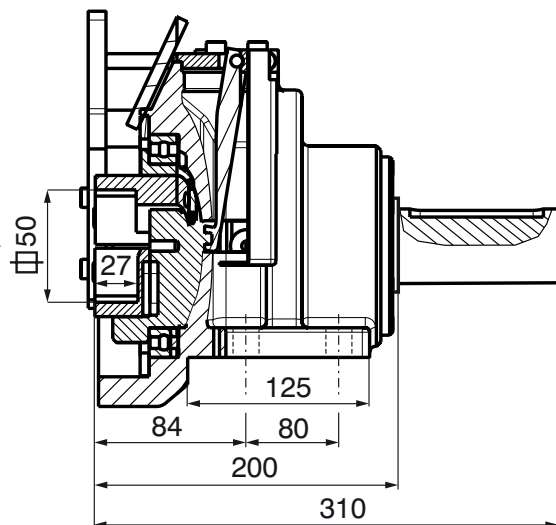
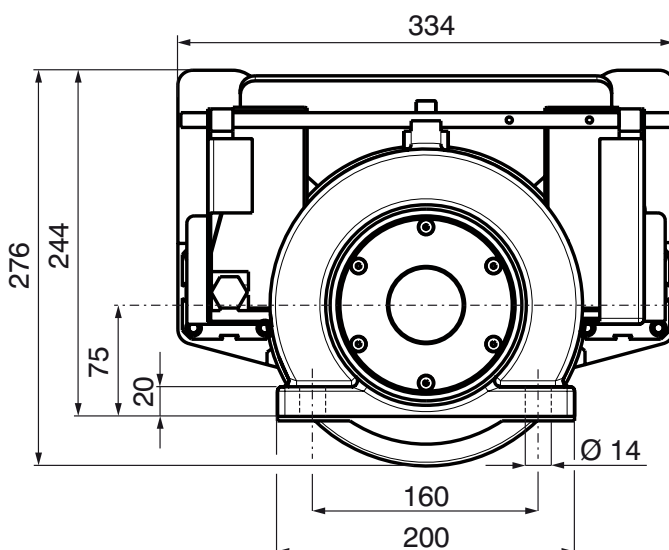
Boschert-Chuck A50



STW A50
chuck with shaft end



STO A50
chuck without shaft end



Shaft end details page 4.33

4.31

Mattenstrasse 1
D-79541 Loerrach-Hauingen

infokl@boschert.de
www.boschert.de

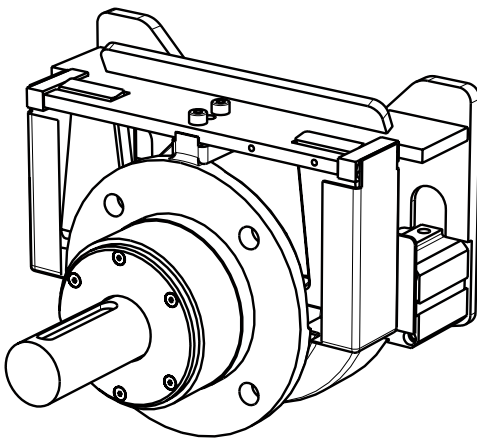
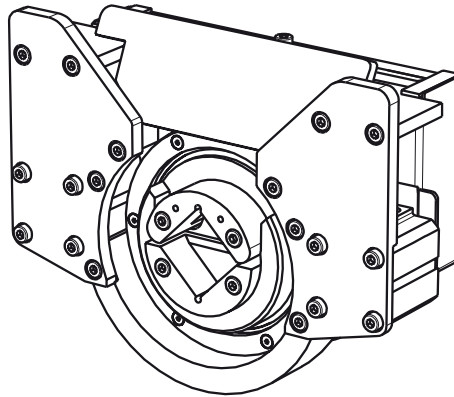
Tel.: +49 (0) 7621 / 9593 0
Fax: +49 (0) 7621 / 5518 4

Changes reserved (b)

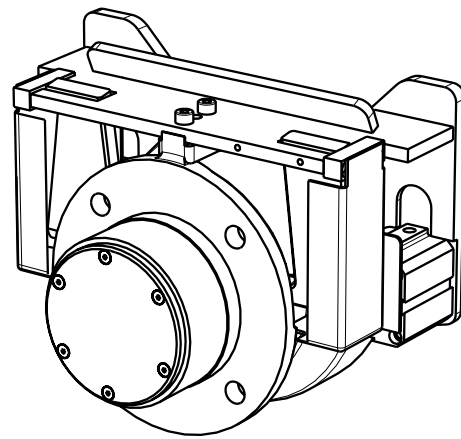
Boschert-Chuck A50 flange mounted



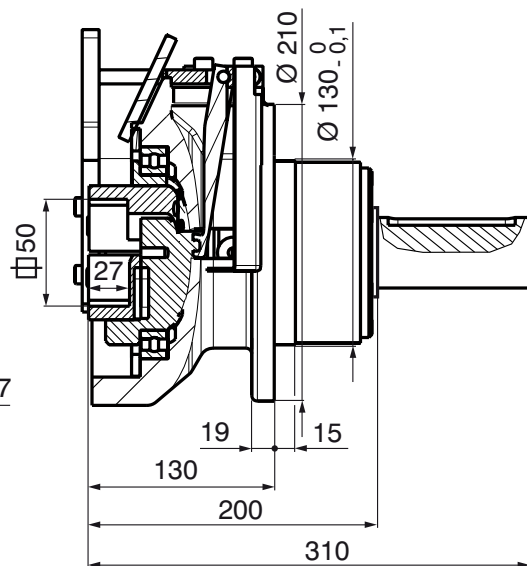
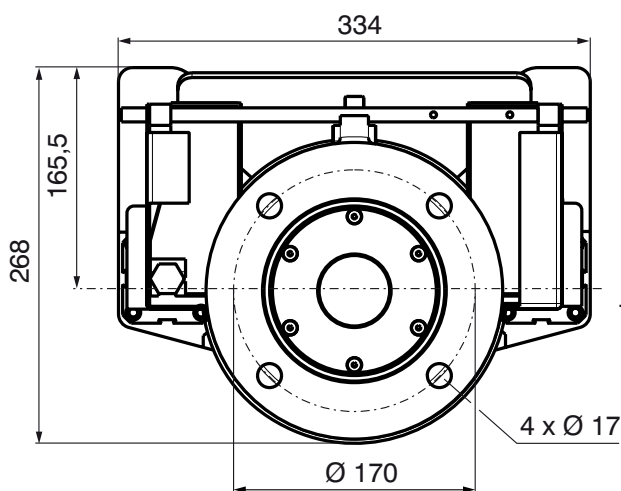
Boschert-Chuck A50



FLW A50
chuck with shaft end



FLO A50
chuck without shaft end

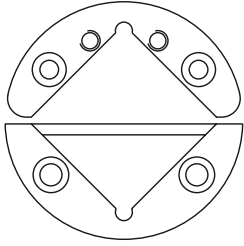


Shaft end details page 4.33

Boschert-Chuck A50 options



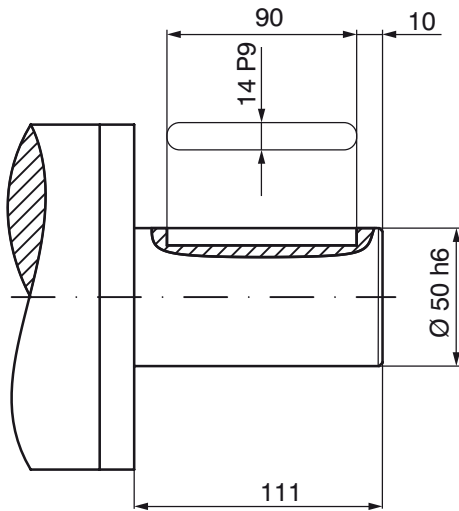
Journal shaft type



VT 2

Info: 11.10

Shaft end

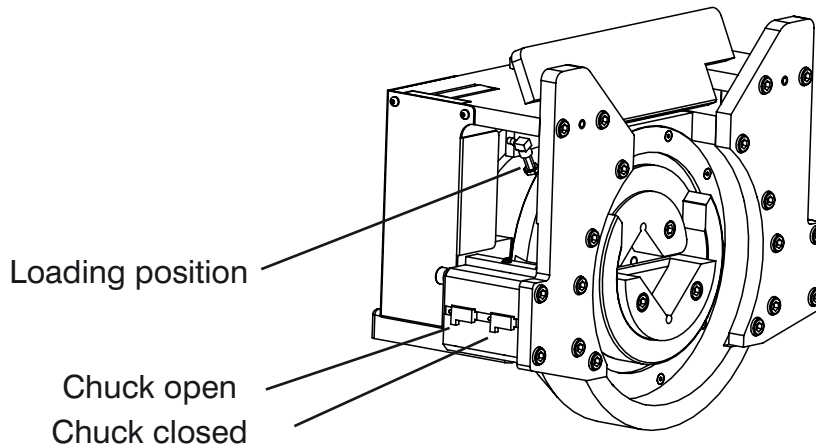


Standard shaft end

Special shaft ends per customer request

Max. shaft-dia.: Ø 50 mm
(without stop)

Proximity sensor



4.33

Mattenstrasse 1
D-79541 Loerrach-Hauingen

infokl@boschert.de
www.boschert.de

Tel.: +49 (0) 7621 / 9593 0
Fax: +49 (0) 7621 / 5518 4

Changes reserved (c)

4.40 Boschert-Chuck A80



A80 STO

Boschert automatic chuck, foot mounted without shaft end

A80 STW

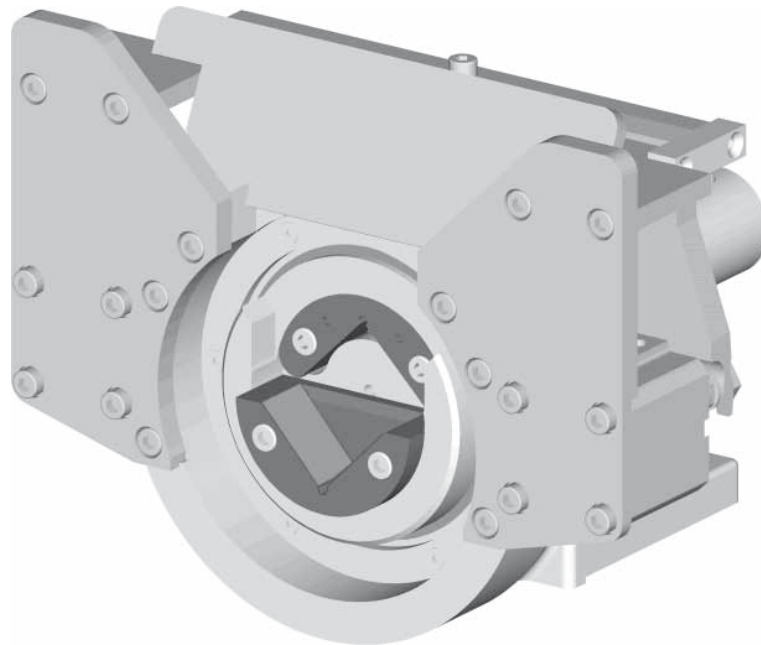
Boschert automatic chuck, foot mounted with shaft end

A80 FLO

Boschert automatic chuck, flange mounted without shaft end

A80 FLW

Boschert automatic chuck, flange mounted with shaft end



Standard Square bar:  80 mm (3.1496")

max. beam weight:  7000 kg  (15430 lbs)

max. torque:  2350 Nm (1700 ft/lb)

Please note:

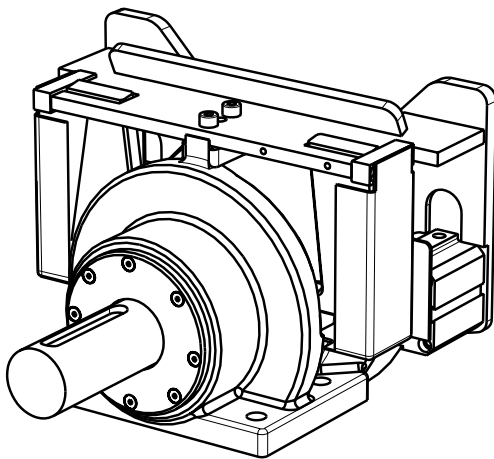
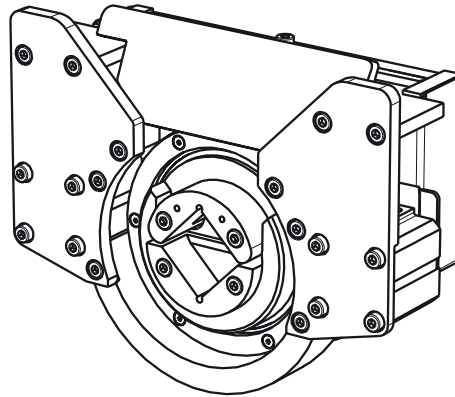
This chuck is a direct retrofit for the chuck 50-80 type VT.

		Info
Type:	VT	4.44
Journal shaft type VT:	VT2	4.43
Shaft end:	standard	4.43
Options:	proximity sensor	4.43
Add. parts:	brakes	6.00
	clutches	7.00

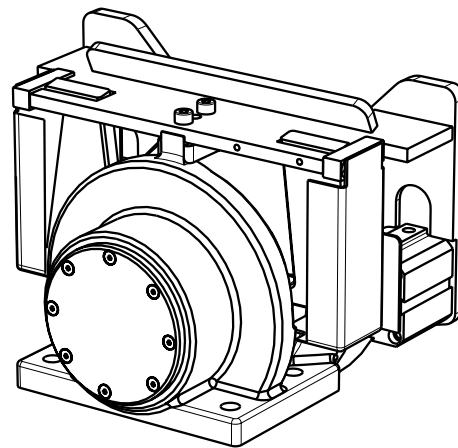
Boschert-Chuck A80 foot mounted



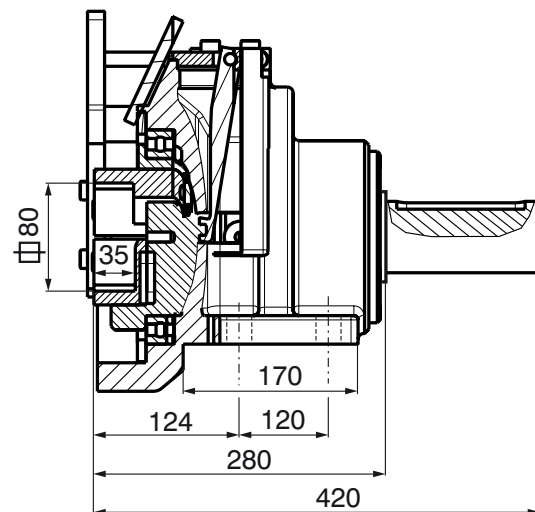
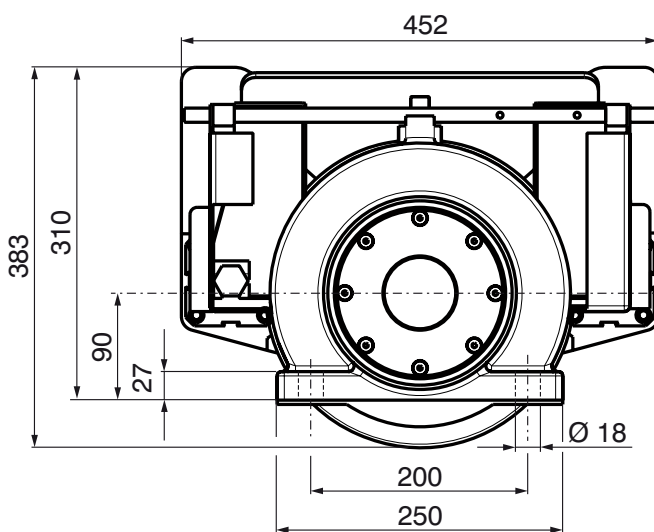
Boschert-Chuck A80



STW A80
chuck with shaft end



STO A80
chuck without shaft end

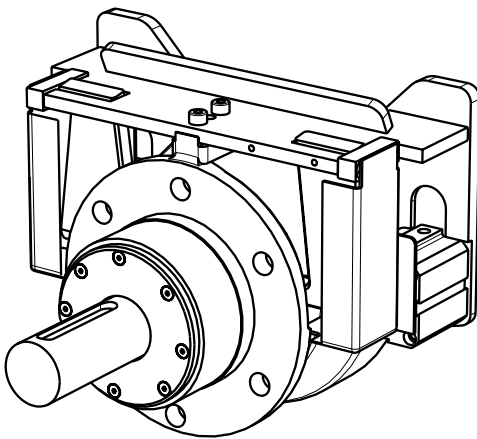
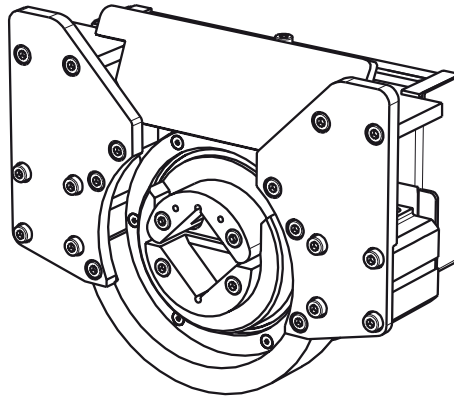


Shaft end details page 4.43

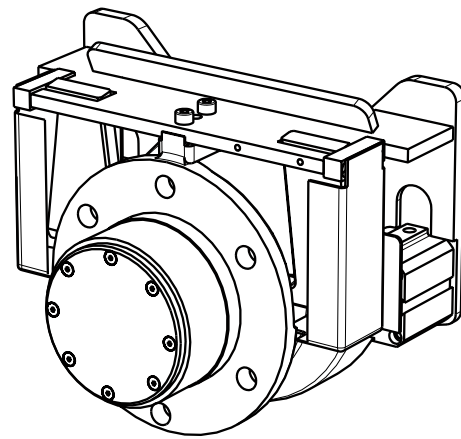
Boschert-Chuck A80 flange mounted



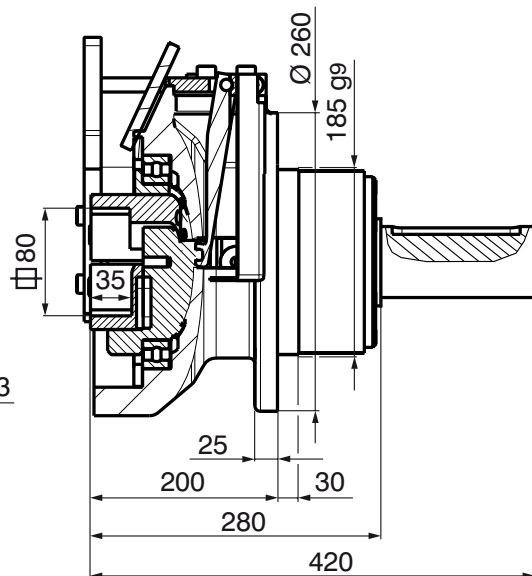
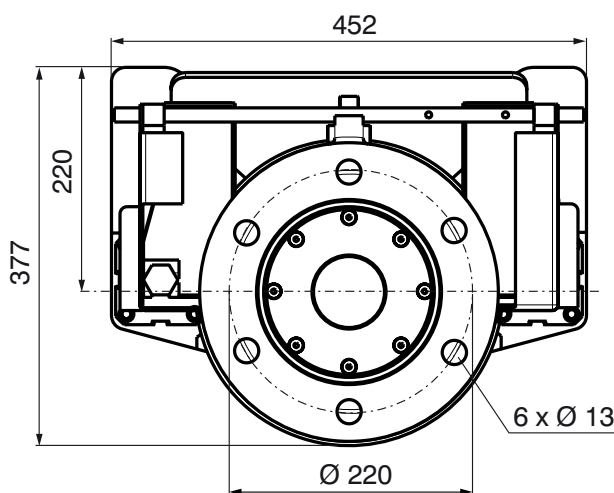
Boschert-Chuck A80



FLW A80
chuck with shaft end



FLO A80
chuck without shaft end

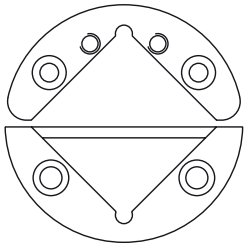


Shaft end details page 4.43

Boschert-Chuck A80 options



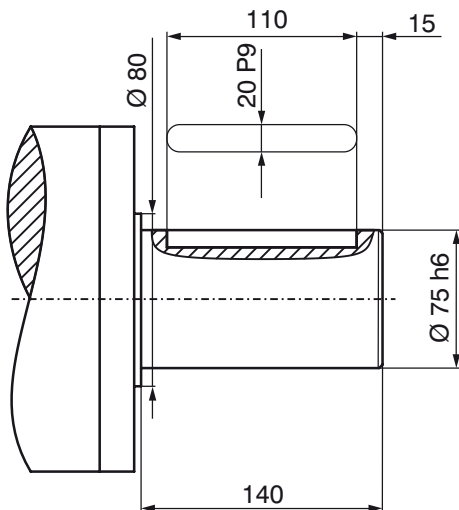
Journal shaft type



VT 2

Info: 11.10

Shaft end

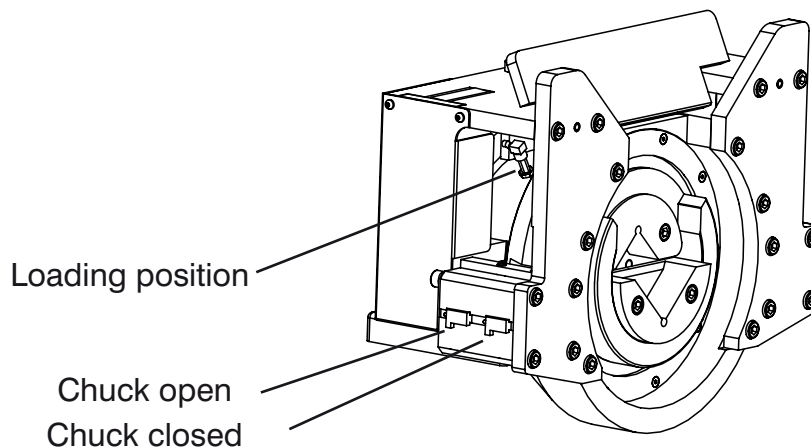


Standard shaft end

Special shaft ends per customer request

Max. shaft-dia.: Ø 80 mm
(special shaft without stop)

Proximity sensor



4.43

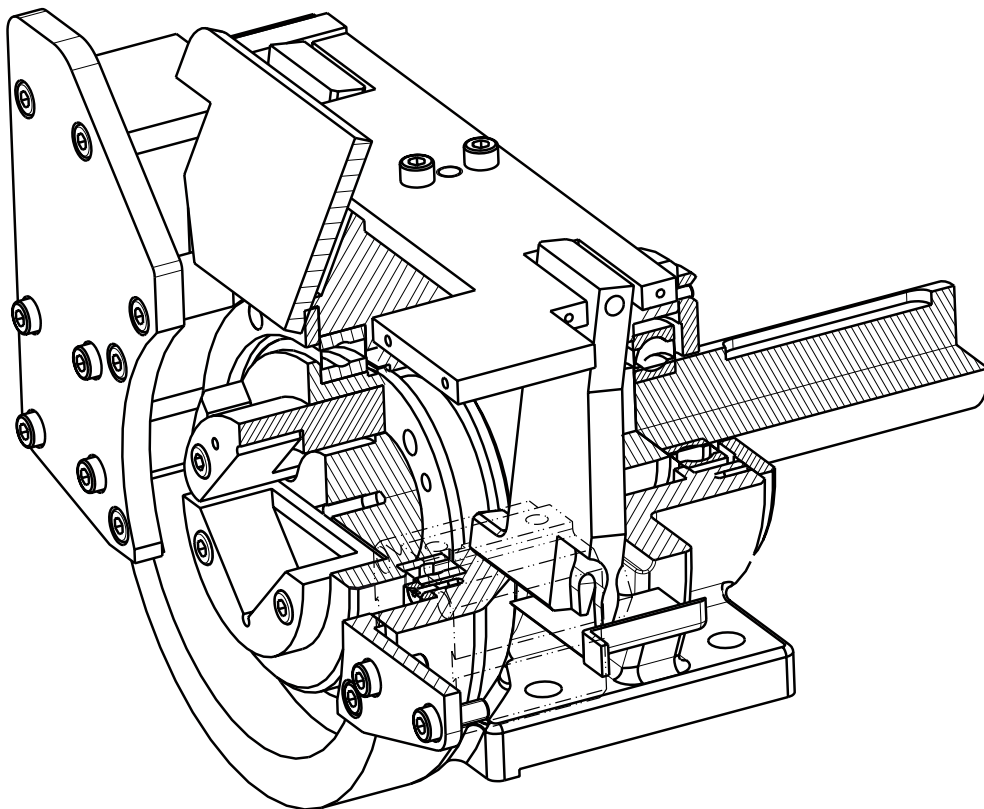
Mattenstrasse 1
D-79541 Loerrach-Hauingen

infokl@boschert.de
www.boschert.de

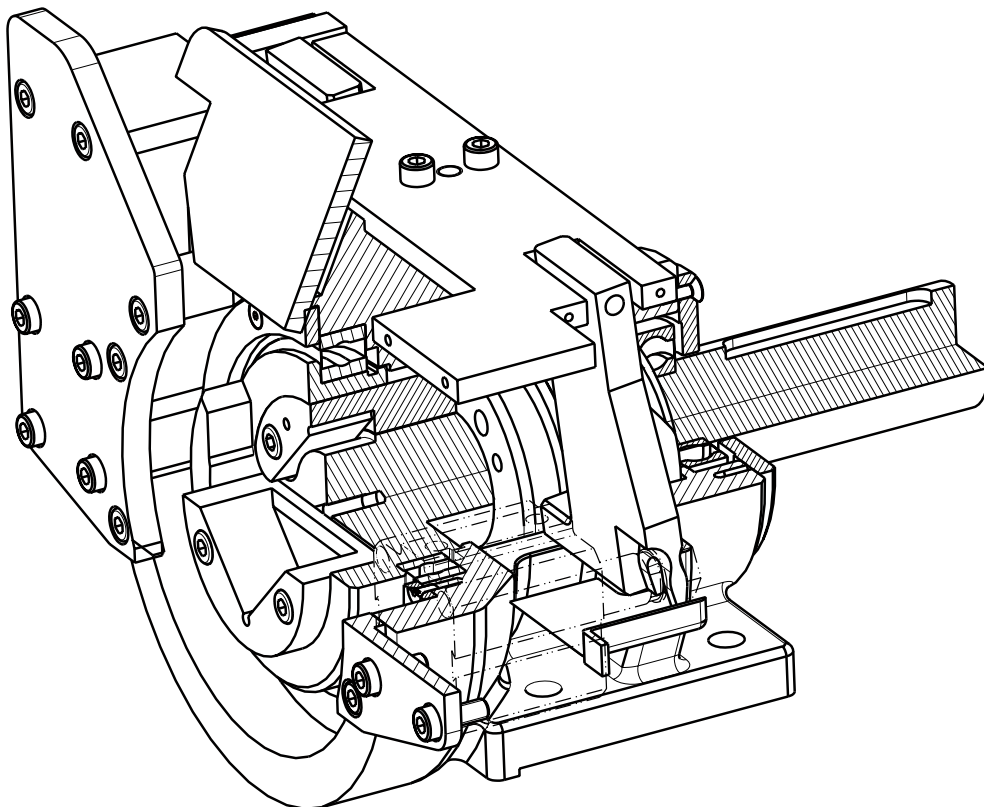
Tel.: +49 (0) 7621 / 9593 0
Fax: +49 (0) 7621 / 5518 4

Changes reserved (b)

Construction A-Chuck



A-Chuck closed

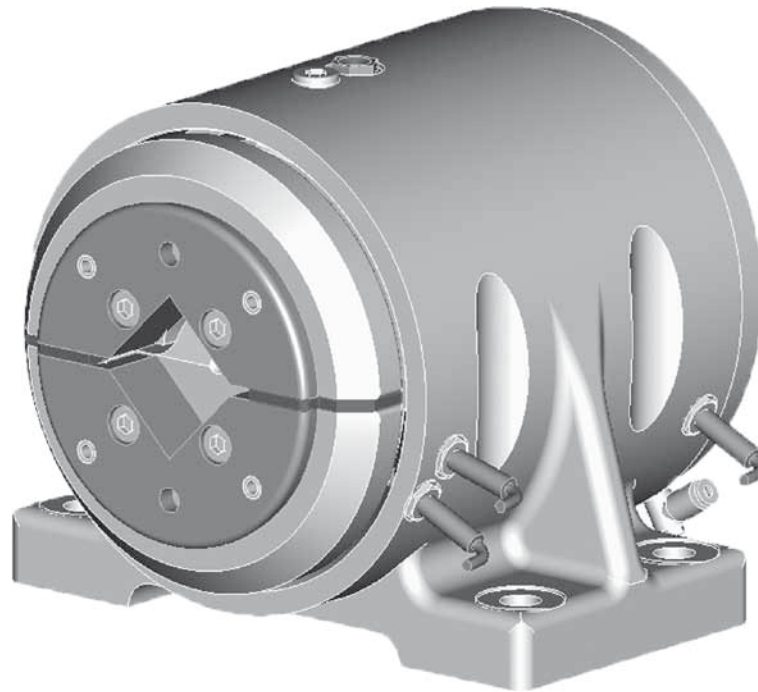





A-Chuck open

4.60 Boschert-Chuck P40





- P40 STO** *Boschert* pneumatic chuck, foot mounted without shaft end
P40 STW *Boschert* pneumatic chuck, foot mounted with shaft end
P40 FLO *Boschert* pneumatic chuck, flange mounted without shaft end
P40 FLW *Boschert* pneumatic chuck, flange mounted with shaft end



Standard Square bar:  40 mm (1.5748")
max. Beam weight:  1600 kg (3530 lbs)
max. torque:  350 Nm (258.1 ft/lb)

Please note:

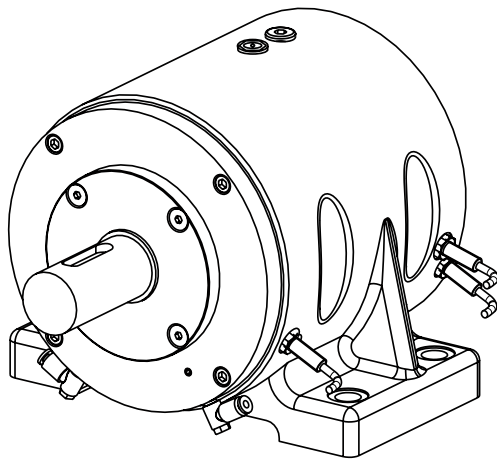
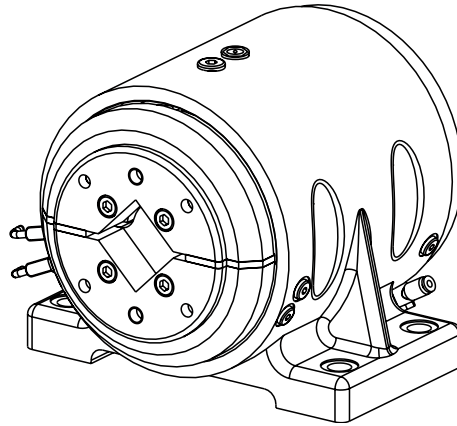
Max. beamweight and torque on P40 chucks are reduced when using VT2-inserts with a smaller square bar than  40 mm ( 1.5" / 38.1 mm).

		Info
Type:	VT	4.74
Journal shaft type VT:	VT2 / VT7	4.63
Shaft end:	standard	4.63
Options:	proximity sensor	4.63
Add. parts:	brakes	6.00
	clutches	7.00

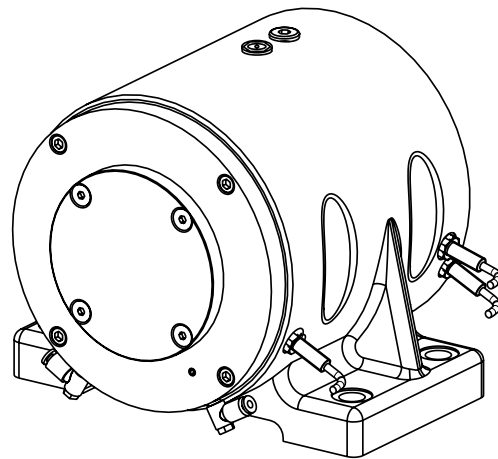
Boschert-Chuck P40 foot mounted



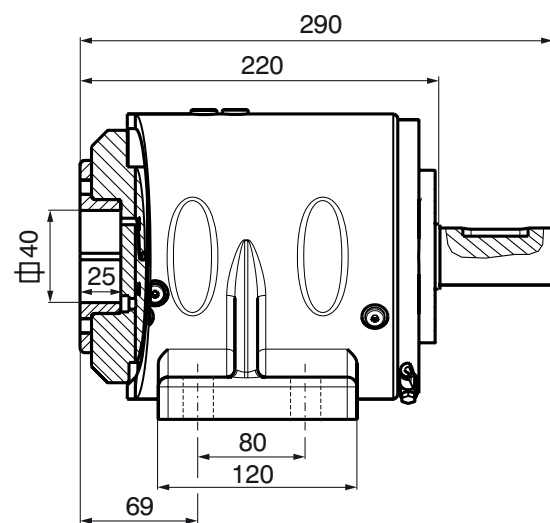
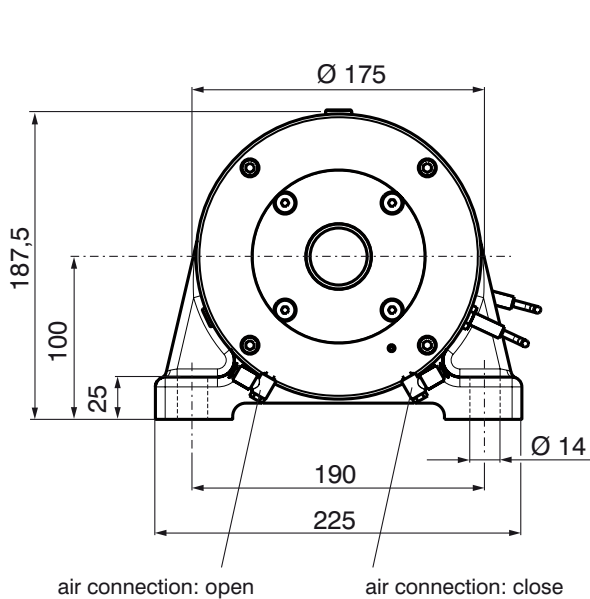
Boschert-Chuck P40



STW P40
chuck with shaft end



STO P40
chuck without shaft end

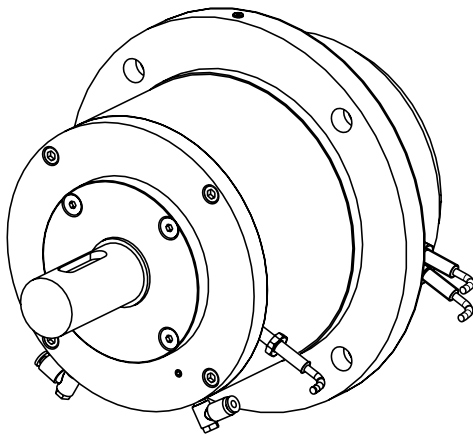
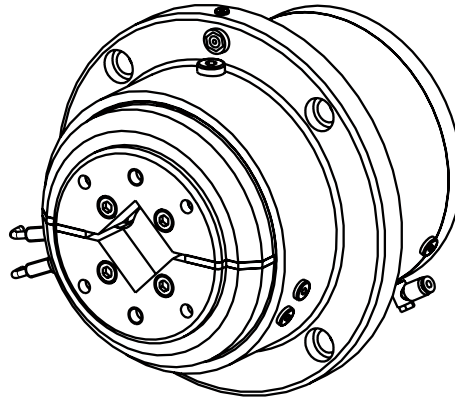


Shaft end details page 4.63

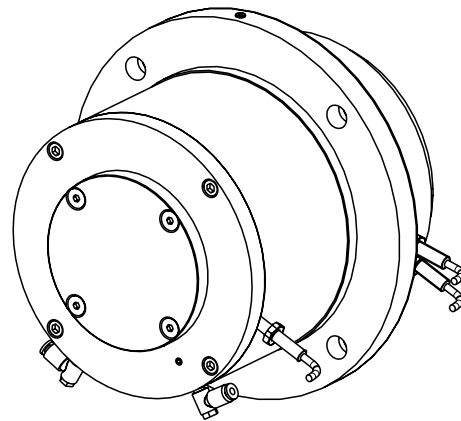
Boschert-Chuck P40 flange mounted



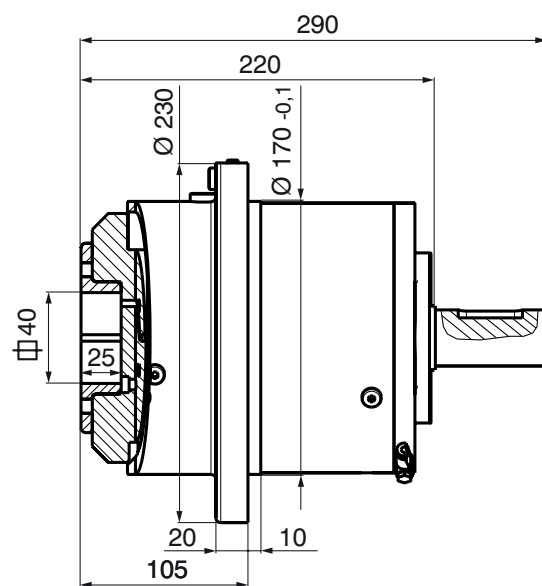
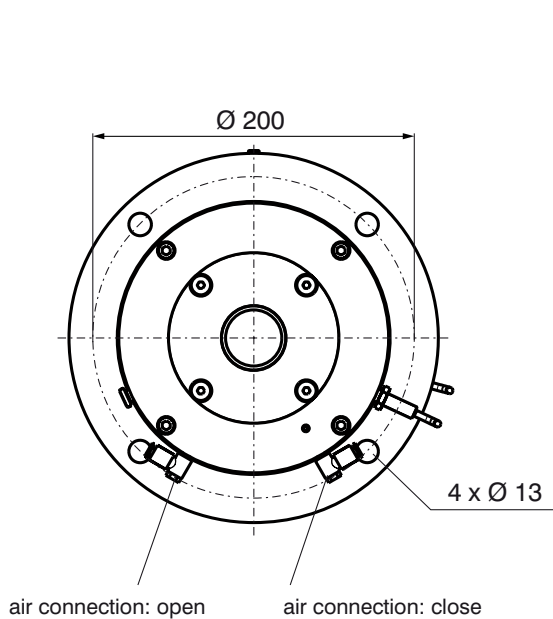
Boschert-Chuck P40



FLW P40
chuck with shaft end



FLO P40
chuck without shaft end



Shaft end details page 4.63

Mattenstrasse 1
D-79541 Loerrach-Hauingen

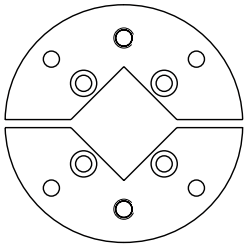
infokl@boschert.de
www.boschert.de

Tel.: +49 (0) 7621 / 9593 0
Fax: +49 (0) 7621 / 5518 4

4.62

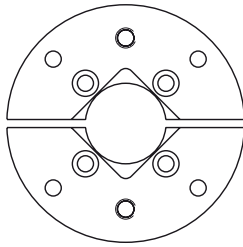
Boschert-Chuck P40 options

Journal shaft type



VT 2

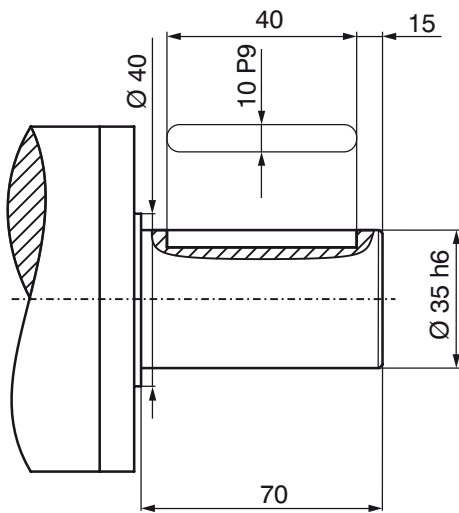
Info: 11.10



VT 7

Info: 11.12

Shaft end

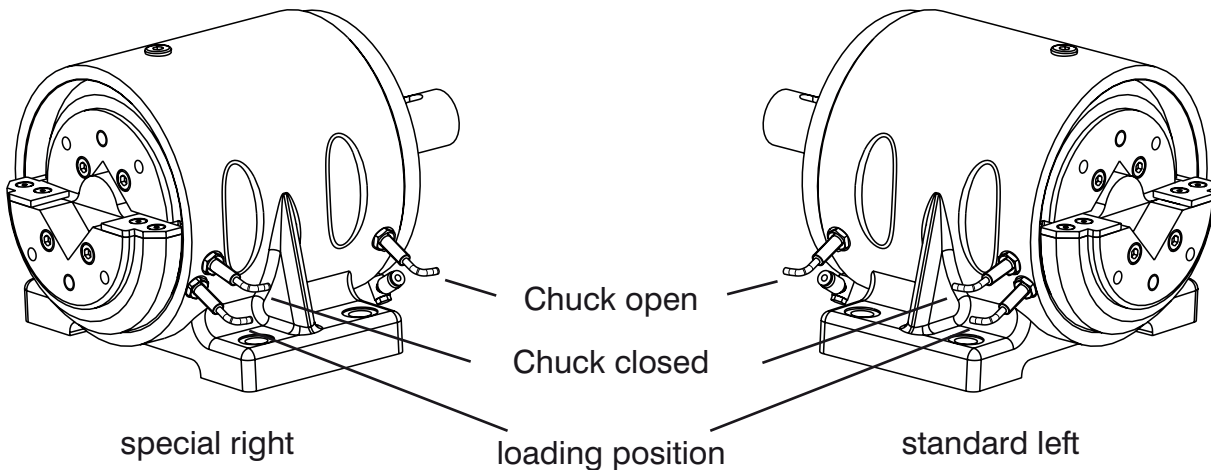


Standard shaft end

Special shaft ends per customer request

Max. shaft-dia.: Ø 40 mm
(special shaft without stop)

Proximity sensor



4.70 Boschert-Chuck P50



P50 STO

Boschert pneumatic chuck, foot mounted without shaft end

P50 STW

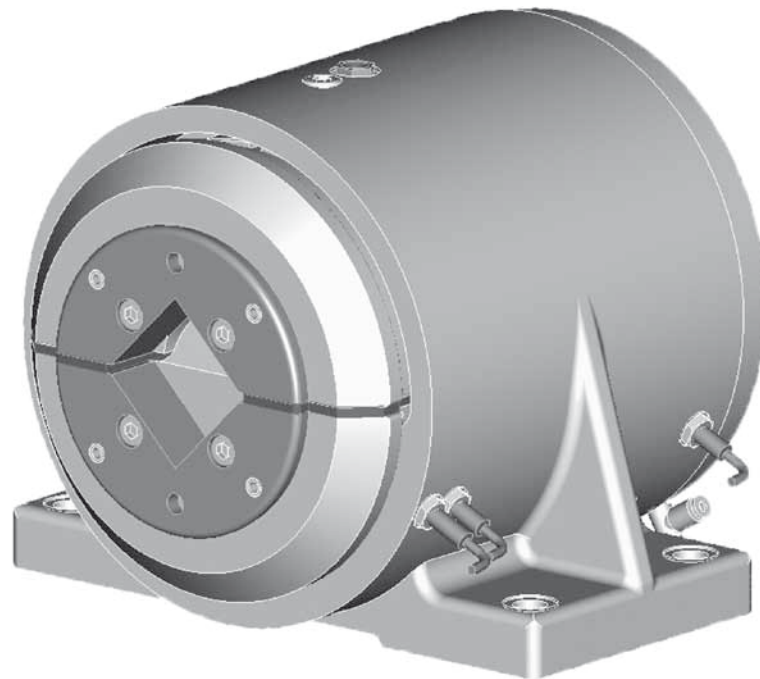
Boschert pneumatic chuck, foot mounted with shaft end





P50 FLO

Boschert pneumatic chuck, flange mounted without shaft end



P50 FLW

Boschert pneumatic chuck, flange mounted with shaft end



Standard Square bar:  50 mm (1.9685")
max. beam weight:  2800 kg  (6170 lbs)
max. torque:  1100 Nm (800 ft/lb)

Please note:

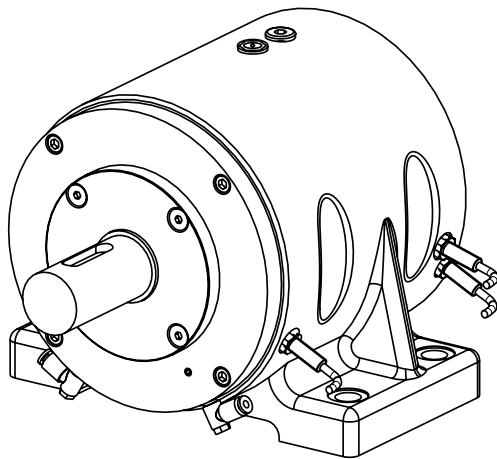
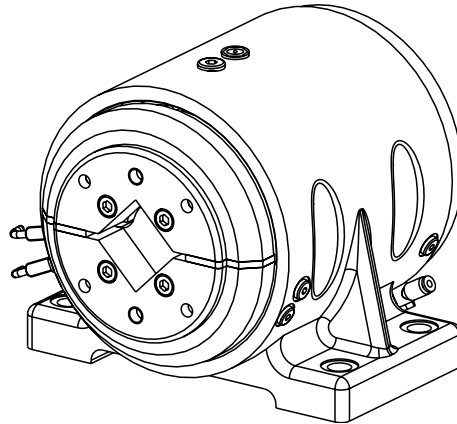
Max. beamweight and torque on P50 chucks are reduced when using VT2-inserts with a smaller square bar than  50 mm ( 2" / 50.8 mm).

		Info
Type:	VT	4.74
Journal shaft type VT:	VT2 / VT7	4.73
Shaft end:	standard	4.73
Options:	proximity sensor	4.73
Add. parts:	brakes	6.00
	clutches	7.00

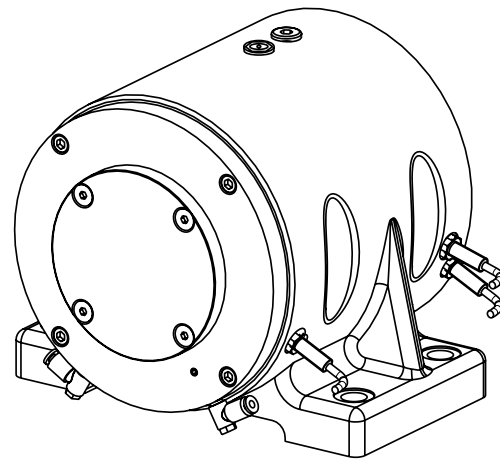
Boschert-Chuck P50 foot mounted



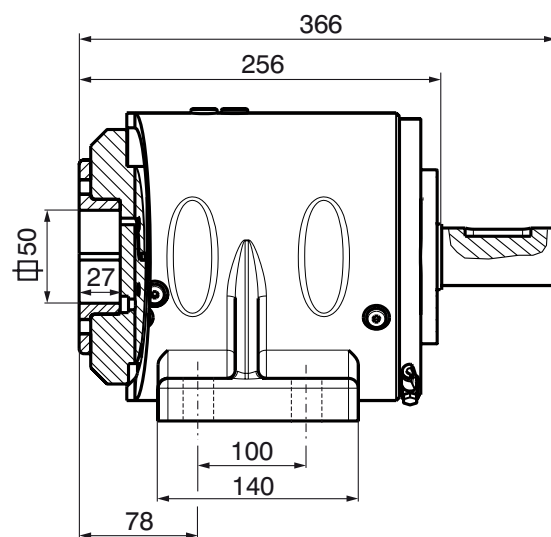
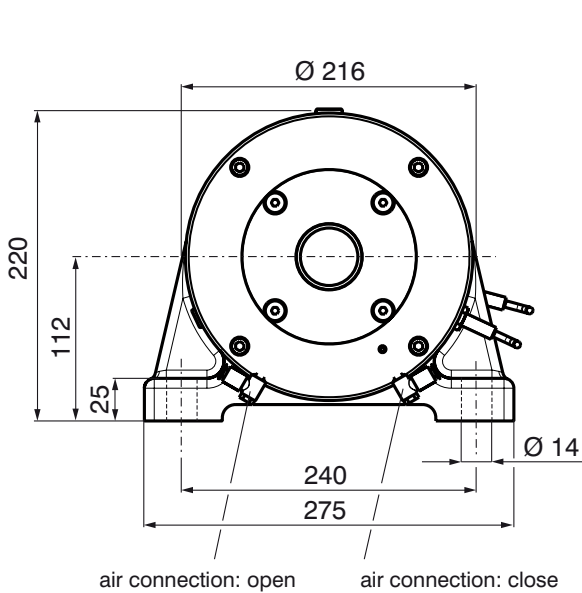
Boschert-Chuck P50



STW P50
chuck with shaft end



STO P50
chuck without shaft end

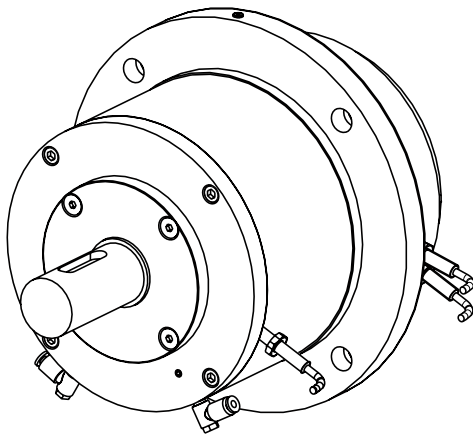
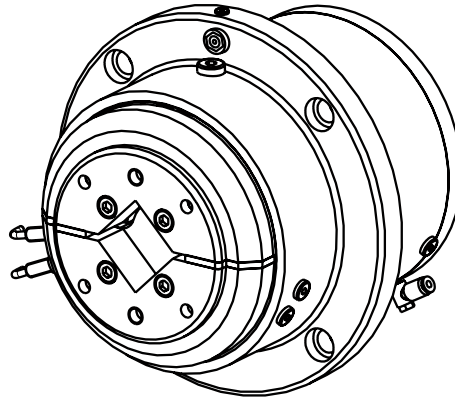


Shaft end details page 4.73

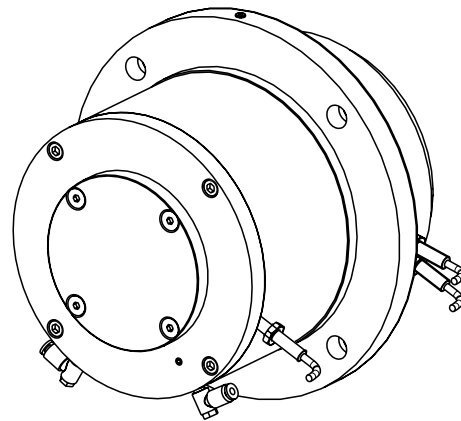
Boschert-Chuck P50 flange mounted



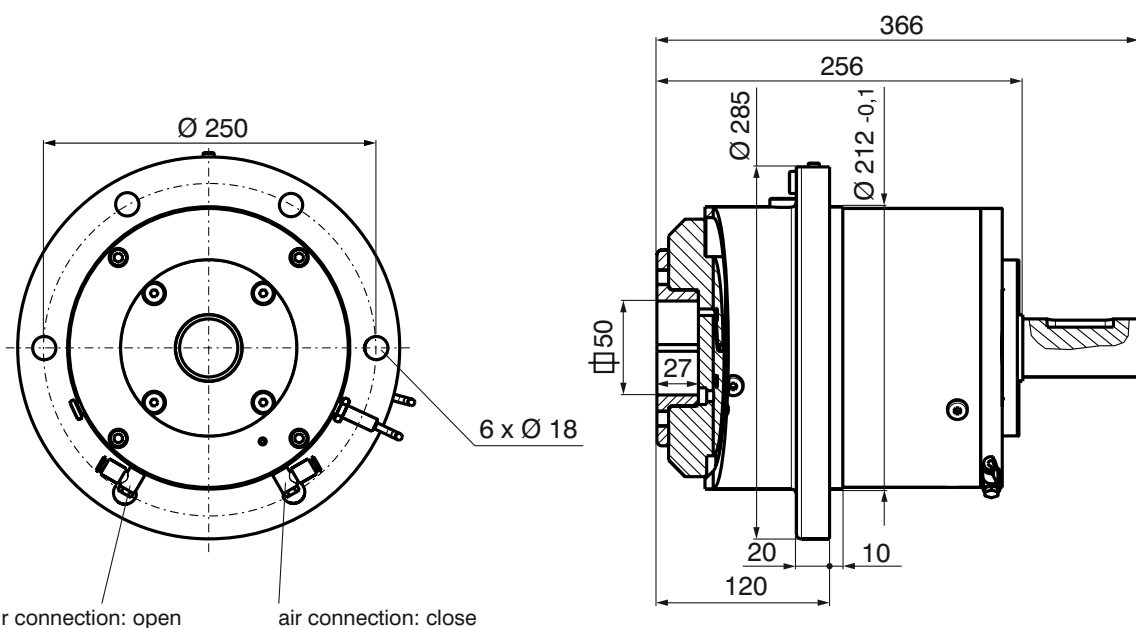
Boschert-Chuck P50



FLW P50
chuck with shaft end



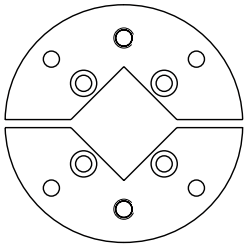
FLO P50
chuck without shaft end



Shaft end details page 4.73

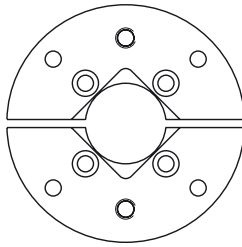
Boschert-Chuck P50 options

Journal shaft type



VT 2

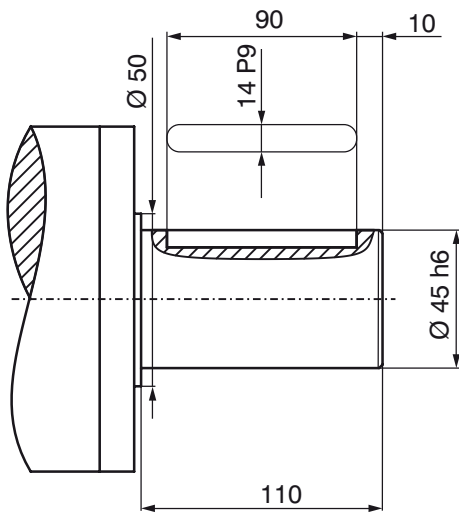
Info: 11.10



VT 7

Info: 11.12

Shaft end

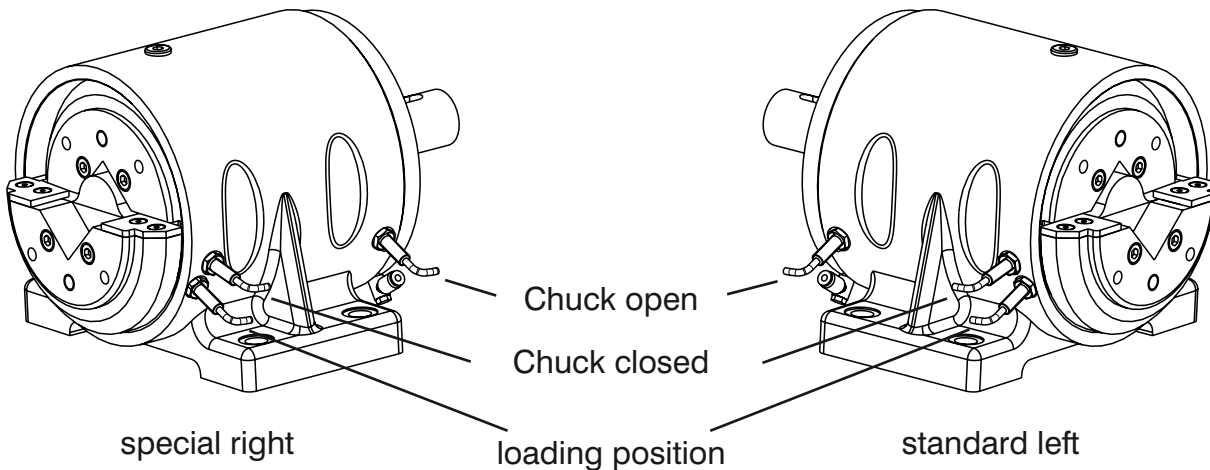


Standard shaft end

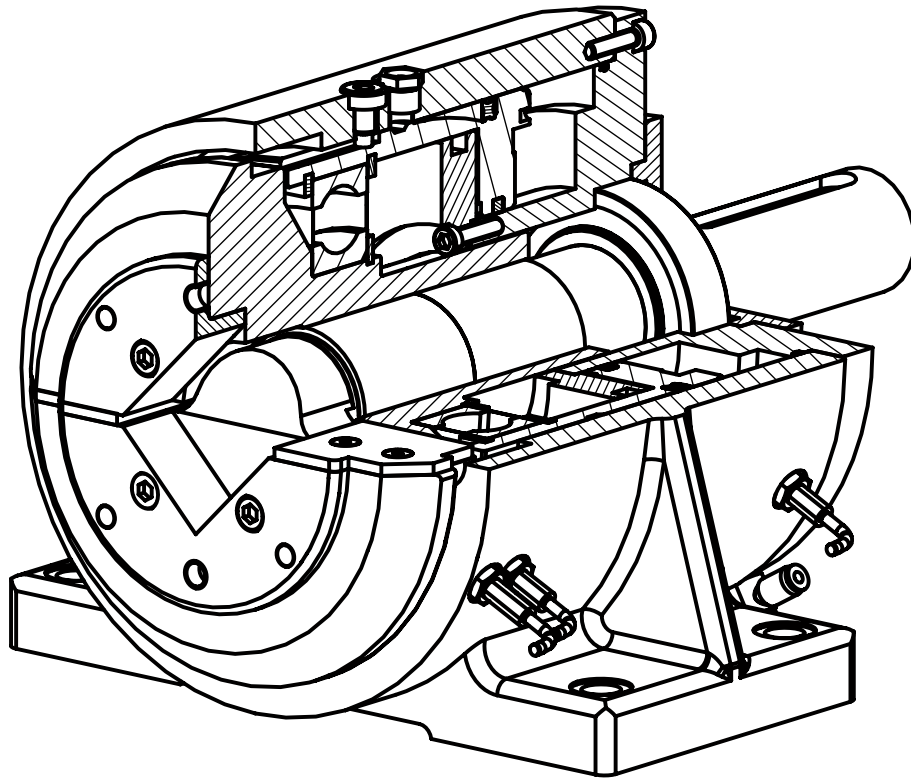
Special shaft ends per customer request

Max. shaft-dia.: Ø 50 mm
(special shaft without stop)

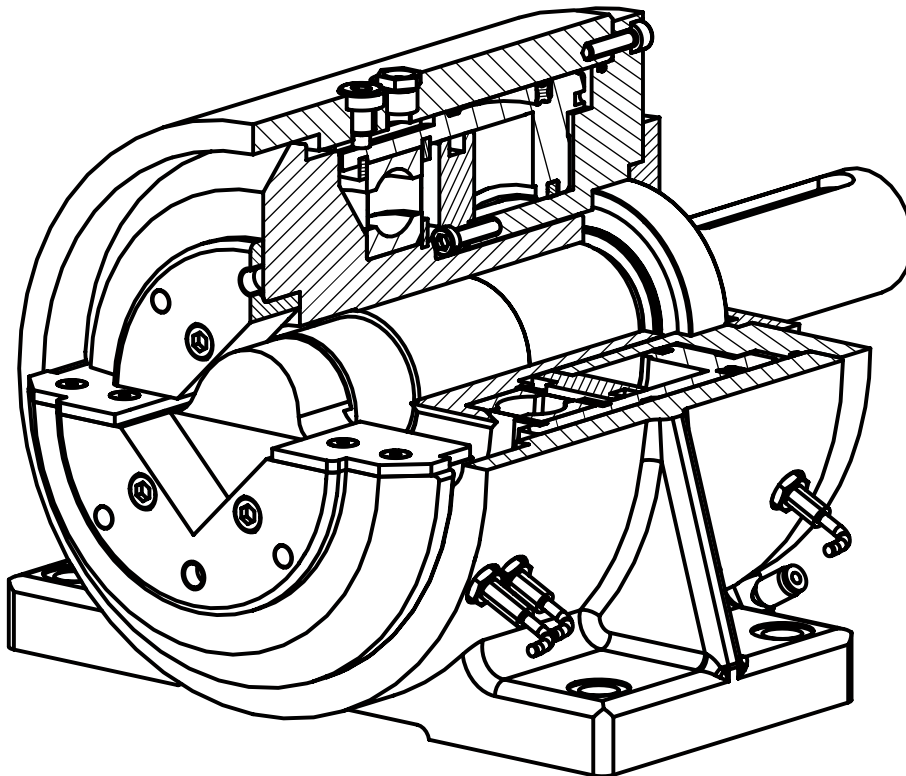
Proximity sensor



Construction Chuck type P

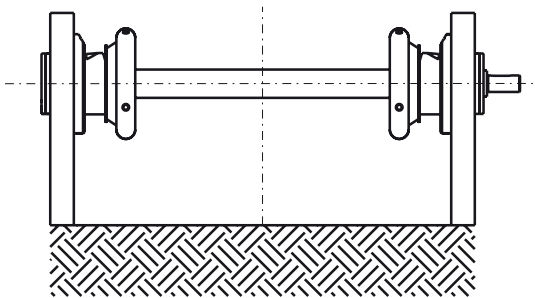
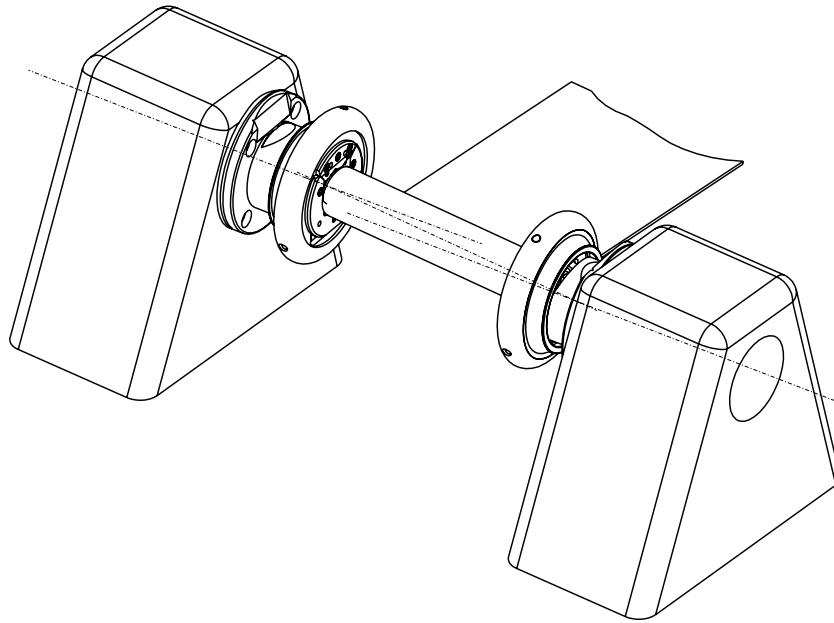


P-Chuck closed

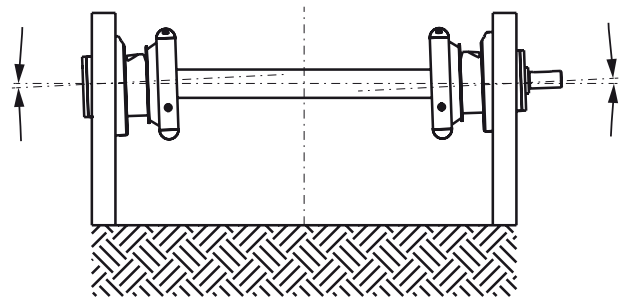


P-Chuck open

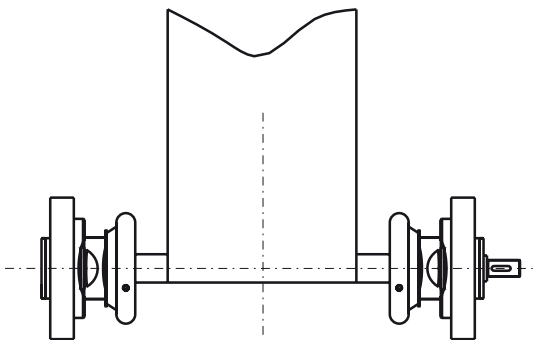
5.00 Assembly Instruction



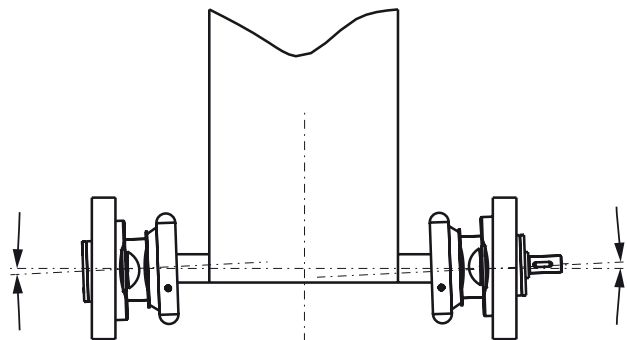
right



wrong



right



wrong

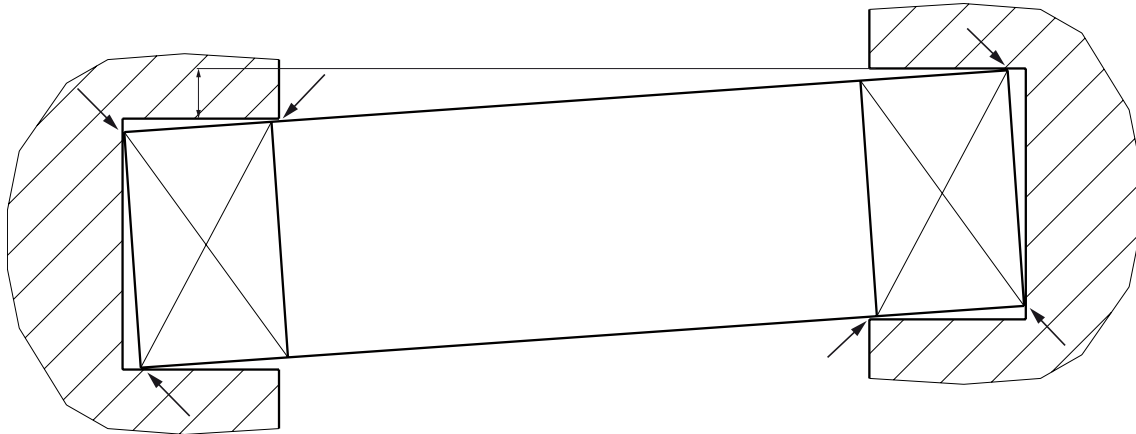
- Boschert Chucks have to be mounted in an alignment
- please make sure that the winding shafts are mounted in the same height and same distance
- No more than 0.3° misalignment.

- please check if the winding shaft is installed correct and in alignment
- there are cases where the winding shaft is installed correct and in alignment, but the Boschert Chucks are mounted incorrectly (no alignment), you have to expect that the square pocket of the Boschert Chuck will wear very fast.

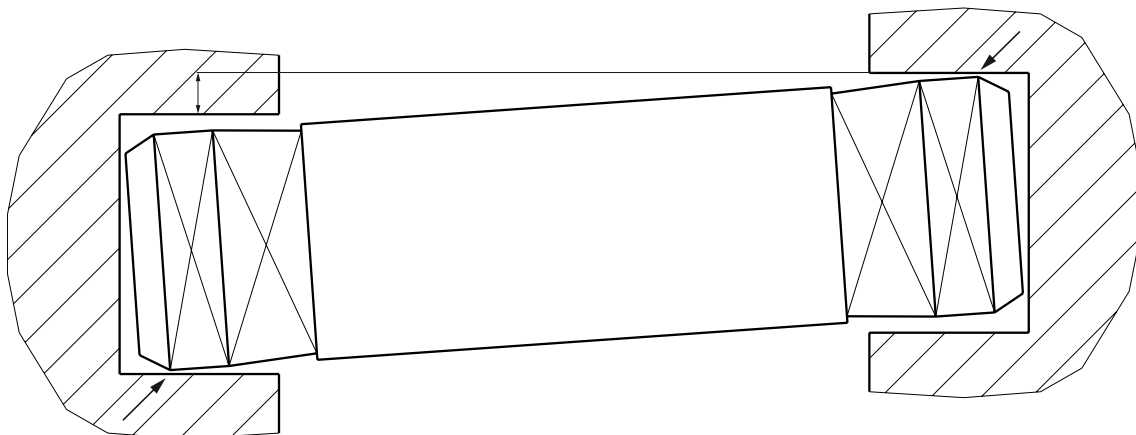
The result are vibrations of the stand or the machine.

Precise alignment of the Chucks protects against increased wear. Any misalignment will affect the life of both the Safety Chucks and the shaft ends.

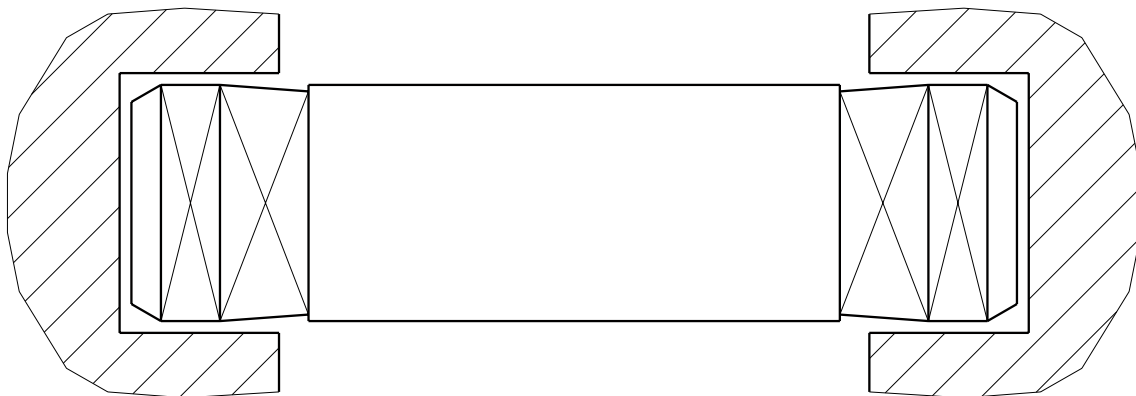
Boschert cannot provide any warranty if the chucks are not mounted as recommended.



wrong alignment



wrong alignment



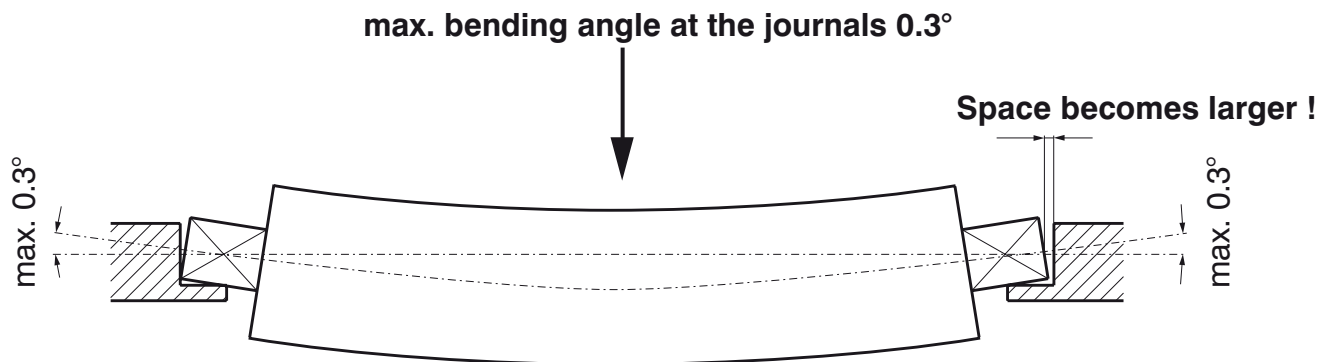
correct alignment

Advantages of close tolerances - Selection of the winding bar

Here especially measure „x“ see page 11.00.

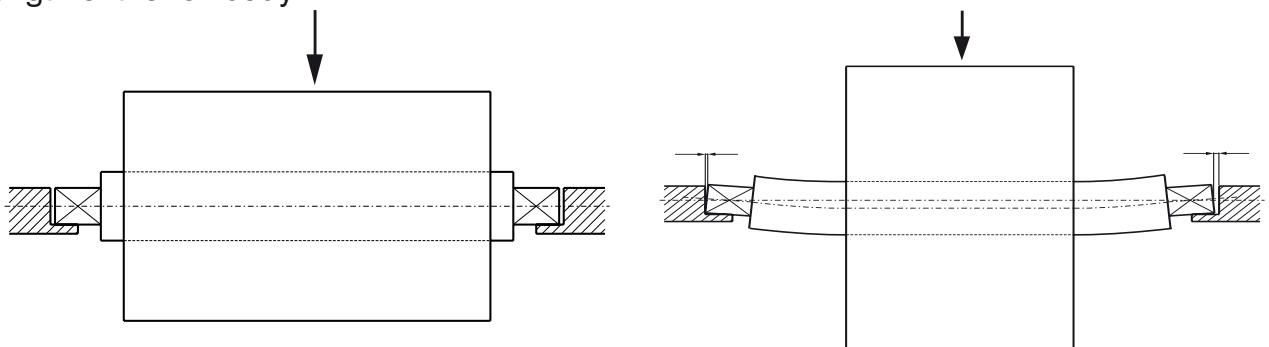
Only slight axial space between safety chuck and winding bar results in troublefree winding. On the other hand, there has to be enough space to put the winding bar in. Since the space differs from application to application, we show the main influences on examples:

Wrong choice of winding shaft - deflection too big.



Different roll widths on the same winding shaft

The width of a roll effects the deflection of the roll shaft. A narrow width roll on a long roll shaft is more likely to cause deflection, than a roll which is nearly the same width as the length of the roll body.



Effect of narrow width roll on roll shaft

1. Manufacturer

Boschert GmbH & Co. KG
Mattenstrasse 1
D-79541 Loerrach-Hauingen
phone-no.: +49 (0) 7621 9593 0
Fax-no.: +49 (0) 7621 5518 4

2. Range of application

Boschert Safety Chucks are used to wind and unwind all different web materials. It is possible to work with Boschert Safety Chucks in temperatures between - 30 degrees and +80 degrees Celsius. For temperatures which are not in this range, you need a special permission from the manufacturer.

2.1 General view

Boschert Safety Chucks consist of two assembly groups:

Housing, shaft + handwheel

With help of the tilting handwheel the roll shaft can be inserted very fast.

To guarantee a safe supporting of the winding shaft, the Boschert Safety Chucks are provided with three safety-systems.

- a) The spring-ball in the handwheel hold it closed during operation. It is not a lock.
- b) The housing of the chuck has a slope which prevents the handwheel opening in a wrong position.
- c) A finger-guard which is fixed on the handwheel makes access to the pinch point behind the hand wheel impossible.

2.2 Position of operator

During operation of the machine, the operator should stay clear of the winding shaft.

2.3 Noises

During operation, the Boschert Safety Chuck does not produce any noises.

2.4 Emissions

The Safety Chuck doesn't emit radiation, gas, exhaust or dust.

2.5 Electrical device

You don't need any electrical equipment to work with the chuck.

3. Transport

For transport a rust protection has to be applied. The chucks have to be protected against mechanical damage.

4. Putting into operation

4.1 Installation

Please fix the Boschert Safety Chucks with help of the bolt holes provided. Please be sure that the alignment is correct. No more than 0.3° misalignment. It is imperative that the handwheel can be opened in the top position (12 o'clock position).

4.2 Foundations

There are no special demands for the foundation.

4.3 Space

Please be sure that there is a good accessibility to the handwheel.

4.4 It is not allowed to work with the chucks in:

- bad surroundings (corundum abrasive dust)
- acid air
- acid steam
- temperatures less than - 30 degr. / more than 80 degr. Celsius

4.5 Safety measure

User has to make sure, that the finger-guard is fixed to the handwheel. The handwheel of the chuck has always to be opened and closed by hand.

5. Working with the chuck

5.1 Function

The only part to adjust on the Boschert Safety Chuck is the handwheel. Move the handwheel back for changing the winding shaft. The handwheel has to be closed before starting the machine. To change the winding shaft, a lifting device is recommended. While insert the shaft in the square bar please go sure that no bodily parts are between winding material and Safety chuck.

5.2 Equipment, modification

After modification and changing the machine, please check the function of the slope of the housing and of the spring and ball detent system.

5.3 Risks

A dangerous situation occurs when the material has to be changed, the chuck is not fully opened and the winding shaft is lifted up one sided. The result is a load which can destroy the Boschert Safety Chuck, through the leverage effect.



While closing the Safety Chuck please go sure that there are no bodily parts between winding material and Safety Chuck.

6. Servicing

To guarantee a safe work environment, following checks have to be made weekly:



- a) Is finger-guard still fixed on the handwheel
- b) Does the ball-spring-locking device keep the handwheel closed safely
- c) Check if the chamfer still works properly.

To do this, please remove the winding shaft. Turn the closed, but unloaded Safety Chuck 180°, so that the handwheel opening is at the bottom. Try to open the handwheel in this position.

Does the handwheel stop at the housing after 1-2 mm (0,0394" - 0,0787")?

If yes this is perfect.

Does the handwheel move more than 2 mm (0,0787"), the chuck has to be checked frequently, due to wear and tear.

Does the handwheel move more than 5 mm (0,1969"), the chuck has to be put out of operation instantly.

- d) Check centering seat of hinge pin
- e) Check seat of the fastening screws

By appearance of failures during above checkups, the Safety Chuck instantly has to be put out of operation and has to be repaired.

7. Disassembling

If it is necessary to disassemble the chuck, please note that each shaft and the corresponding handwheel are a set - and are signed with identically engraved numbers. Please take care to assemble the parts with the similar engraved numbers. A mix-up of the parts will cause an incorrect movement and stress the chucks

8. Spare parts

Please use only original spare parts. Boschert uses harmonized materials in proofed quality. Don't economize on quality.

Info wearing-parts



The demand for higher speed and bigger torque led to the development of the VT-insert. All safety chucks from size 22-30 up to 80-120 can be delivered from BOSCHERT with VT-inserts (wearing-parts). Chucks size from 120-180 up to 170-230 are provided with wear plates.

Important features of the VT-Chucks are:

- changing of VT wearing parts can be carried out in just a few minutes without removing the safety chuck from the machine. This is helpful by reducing down time.
- easy change to other square sizes by replacing the VT wearing parts in the same chuck (except 50-80 VT6).
- VT-parts can be supplied hardened by customers request or in soft condition, to protect the more expensive winding shafts.
- low stock-keeping costs of the VT-parts.
- possibility from one geometry to another (SQ. to VT6 or VT7).

The user of custom shaft ends should consider chucks with VT inserts. This will ensure a fast delivery of spare parts.

The VT-wearing parts are available from stock in most standard sizes, while, the delivery-time for shafts, especially with special shaft end, has to be arranged.

We recommend to put one or more sets of VT-wearing parts on stock to be used in case of an emergency.

Please consider that C-Chucks subsequently cannot be fitted with VT-inserts. However it is possible to convert C-Chucks to VT-Chucks by changing the shafts and handwheels.

Note at VT2 and VT7 Chucks:

max. weight = 0.8 x catalogue value

max. torque = 0.7 x catalogue value

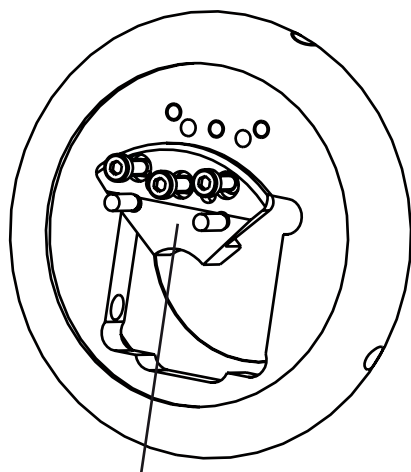
Maintenance inspection suggestions

For maintenance and repair of Boschert Safety Chucks please check the following items:

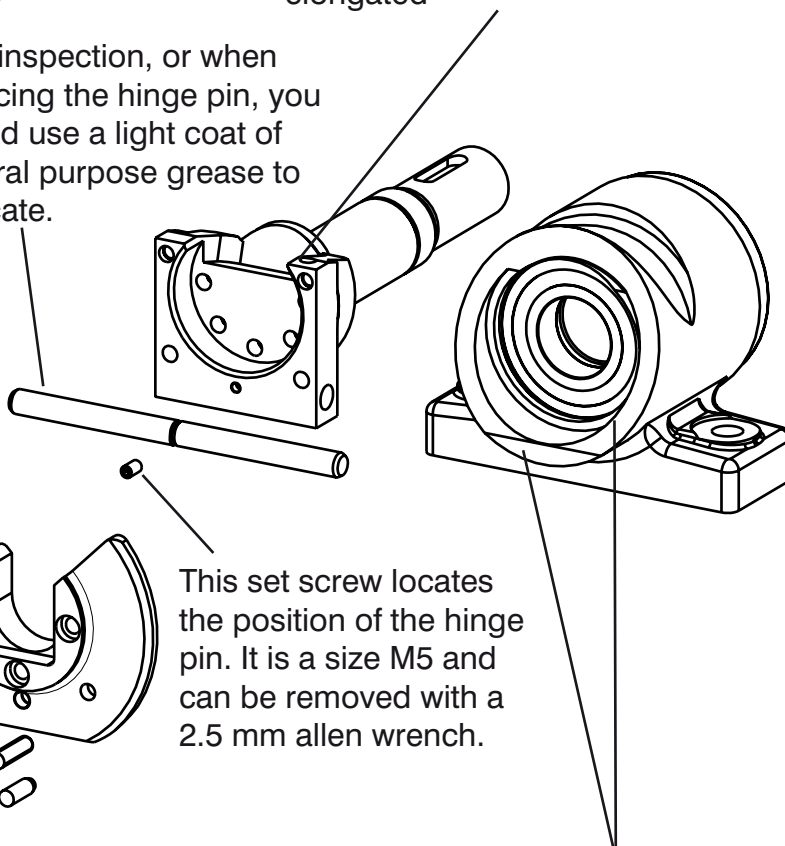


Fingerguard is securely fixed to the handwheel and not worn

Check to see that the detent in the shoulder of the seat opening is concentric, not deformed or elongated



After inspection, or when replacing the hinge pin, you should use a light coat of general purpose grease to lubricate.



Replacable insert are matched and have the same identification number stamped on the backside of the top piece and the bottom piece.

This set screw locates the position of the hinge pin. It is a size M5 and can be removed with a 2.5 mm allen wrench.

Use new screws and pins when installing a new replaceable insert.

The bottom of the housing is located 1-1.5 mm behind the hand wheel. Check to see that the housing is not worn at this location.

Manual Safety Chucks have to be closed by hand !

Top- and bottom part of the VT-inserts are identically marked. Please take care of this when changing the VT-inserts.

5.10 Safety information

Boschert Safety Chucks are a safe technical equipment and are manufactured with accuracy and precision.

Boschert Safety Chucks can be in service for years if they are handled with care and if they are maintained continuously.

Boschert Safety Chucks are safety-proofed by the institution for statutory accident insurance and prevention in the printing and paper processing industry.

Incorrect use can release a high risk of accident.

Does the handwheel tumble during operation? This is a clear sign that the handwheel tries to open in the lower position.

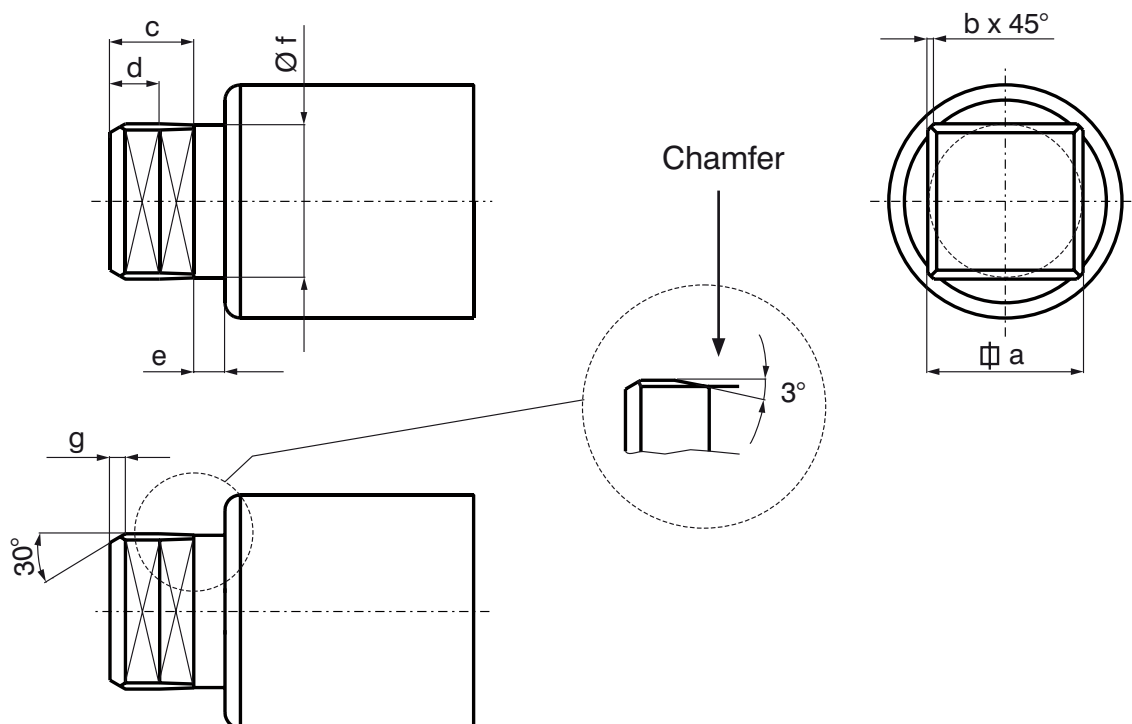
This will cause that the chamfer to be damaged and the winding beam will fall out of the Safety Chuck.

The Safety Chuck has instantly to be changed.

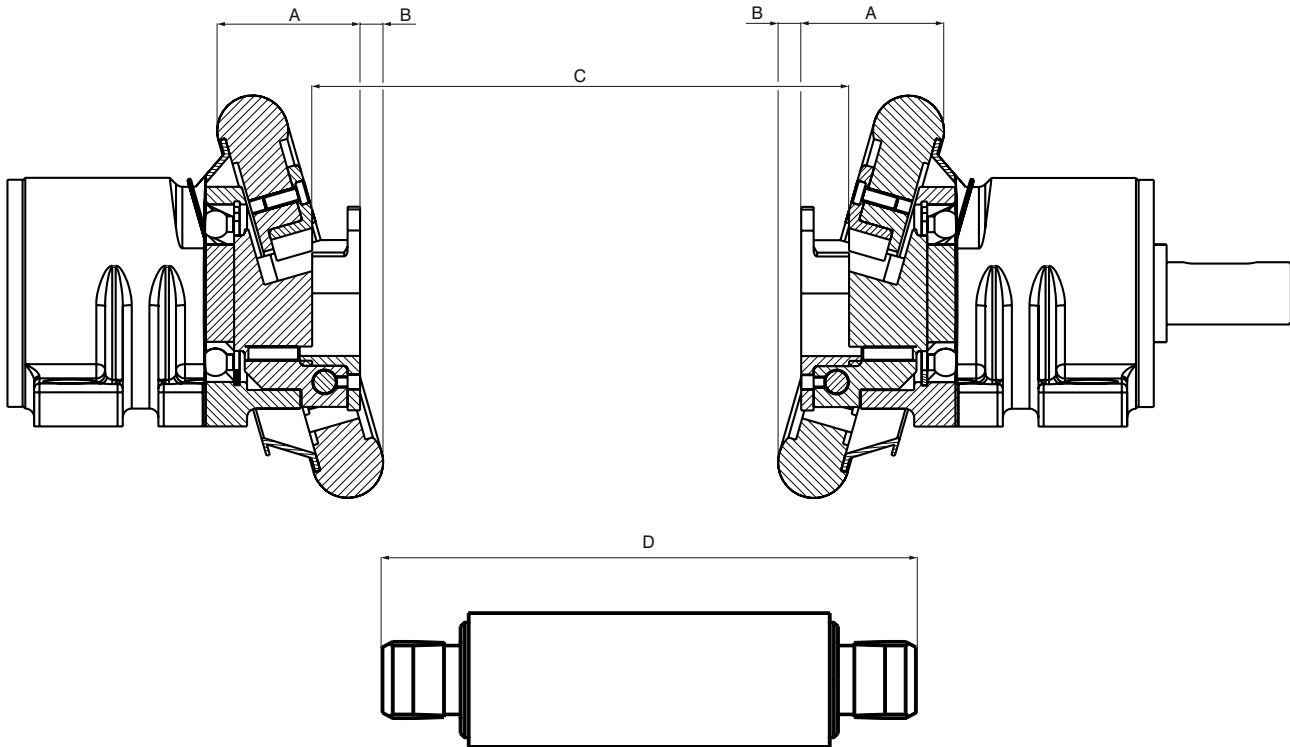
That which causes the handwheel to open has to be analyzed and eliminated.

Possible source of fault

1. The journal was not made per our specification. There is no chamfer on the journal.



2. Axial wear on the winding shaft is too big (max. 1 mm).



	A	B	$x=(C-D)$	$y=(C-D)$
Mini	38	8	0.5	1
19-25	54	9	0.5	1
22-30	61	8	0.5	1
30-40	73	13	0.5	1
40-50	81	13	0.5	1
50-80	106	16	0.5	1
80-120	145	18	0.5	1
120-180	175	24	1	2
170-230	230	18	1	2

x = min. clearance
 y = max. clearance

What to do when the axial wear is too big:

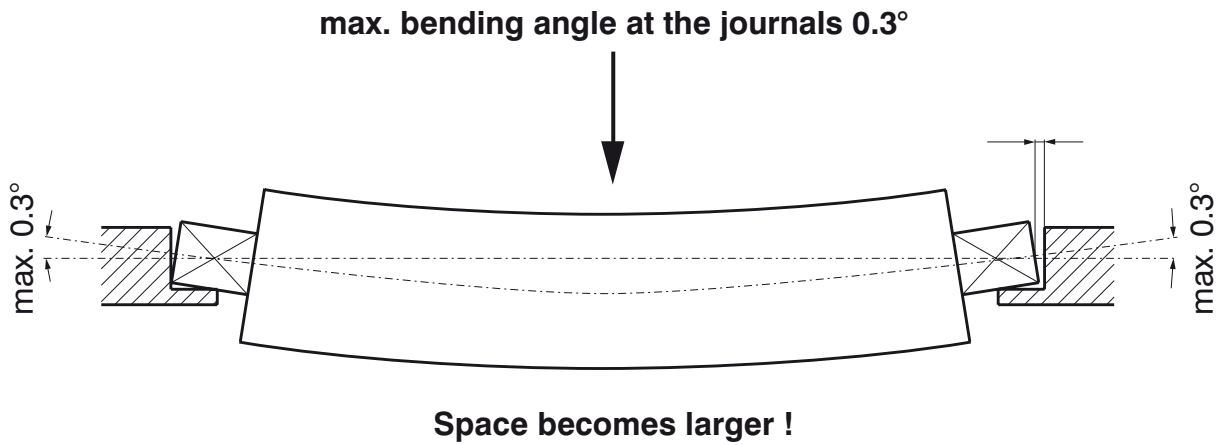
On flange chucks:

Place spacer washers between fixing flange and machine frame.

On foot mounted chucks:

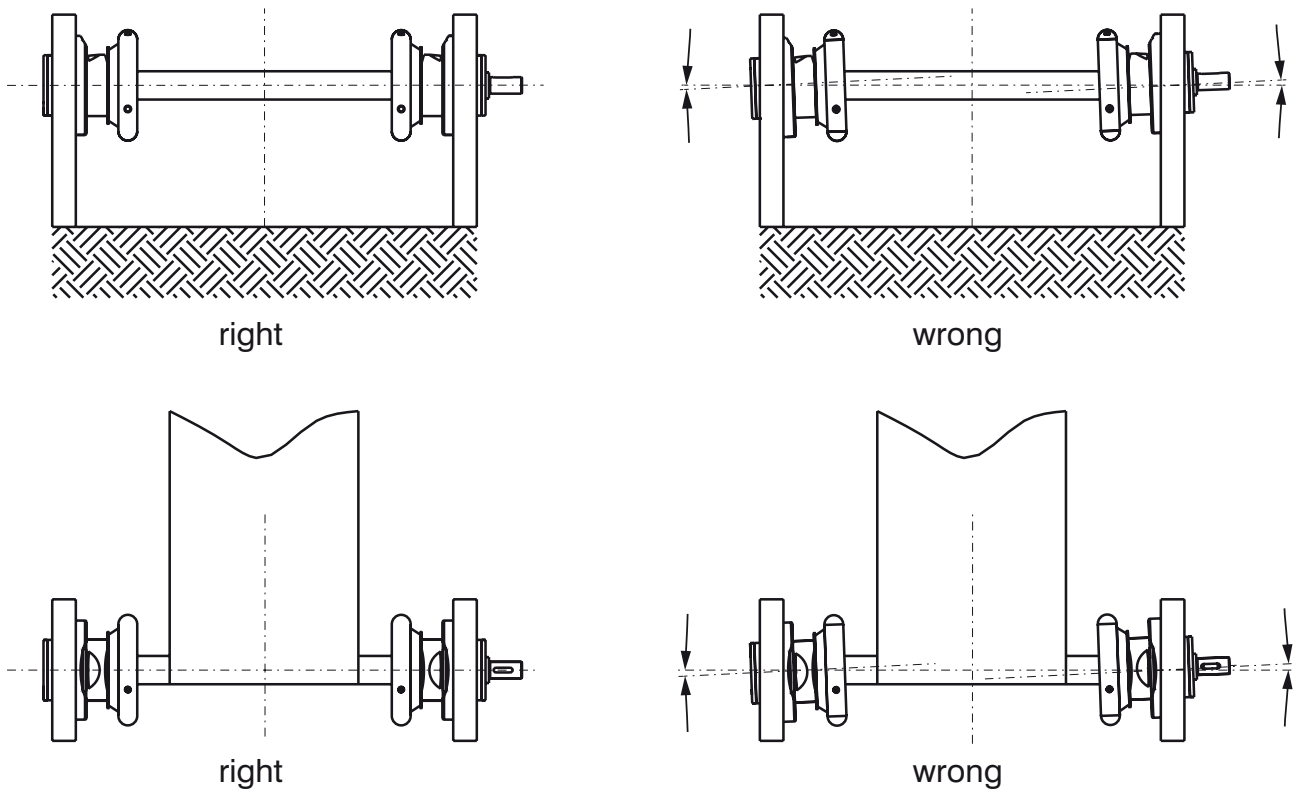
Loosen the fixing screws and modify the clearance of the chucks.

3. Deflection of the winding shaft is bigger than specified (max. 0.3°).



4. Weight and torque are bigger than the max. value.

5. Wrong alignment



Reasons are an incorrect assembly or a weak machine frame.

We are always available to help with the analysis of errors.

Error description	Possible faults
It is difficult to open and close the hand wheel	<ul style="list-style-type: none"> - The journal was not made to specification as shown on catalogue page 2.10 - The journal tolerance is incorrect - There is no chamfer on the ends of the roll shaft - Bent hinge pin - The Safety Chucks are not in alignment - The roll shaft is deflecting and bending up in the seat of the Safety Chuck. The seats of the Safety Chucks have been rounded by wear and the roll shaft journals are cocked in the seats causing binding.
Unloaded roll shaft is difficult to rotate when in the Safety Chucks	<ul style="list-style-type: none"> - The journal tolerance is incorrect - The Safety Chucks are not in alignment - The roll shaft journals are out of alignment with each other
The roll shaft is difficult to install or remove from the Safety Chucks. The roll shaft is stuck in the seat of the Safety Chucks	<ul style="list-style-type: none"> - The journal tolerance is incorrect - The Safety Chucks are not in alignment - Not enough tolerance between the overall length of the roll shaft and the distance between the Safety Chuck - The seats of the Safety Chucks have been rounded by wear and the roll shaft journals are cocked in the seats causing binding
The journal is worn. The seat of the Safety Chuck is worn.	<ul style="list-style-type: none"> - Excessive weight and/or excessive torque - Limitations to VT2 insert not complied with - Overload of the chuck - The hardness of the journal and the hardness of the seat of the Safety Chuck are not compatible - The Safety Chucks are not in alignment

Trouble shooting

Error description	Possible faults
Noisy operation	<ul style="list-style-type: none"> - The mounting surfaces for the Safety Chucks are not level or are misaligned - The roll shaft journal is falling inside the seat of the Safety Chuck - There is tramp material caught between the hand wheel and the housing
Empty Safety Chucks are difficult to rotate by hand	<ul style="list-style-type: none"> - The ball bearings are worn out - A drive or brake is engaged on Safety Chucks - The hinge pin is bent inside the hand wheel (see page 5.04 item 5.3)
<p>The handwheel opens during operation. There is black powder around the housing. There is a groove in the back side of the handwheel. The bottom of housing, at the front side, has been worn away</p> <p>Warning: This is a dangerous situation. The roll shaft can now fall out.</p>	<ul style="list-style-type: none"> - no undercut of the journal - axial wear too big - deflection of the winding shaft too big - too much weight or torque - wrong alignment - weight or torque reduction has not been considered at VT2



6.00 Brake schedule



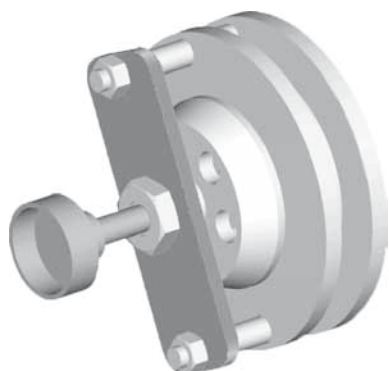
	ESB	DSB	Multi 500	Multi 1500	Multi 3000
VT-/C-Chuck	Nm* / (Nm**) / ft/lb* / (ft/lb**)	Nm* / (Nm**) / ft/lb* / (ft/lb**)	Nm per callipers / (Nm***) / ft/lb* / (ft/lb**)	Nm per callipers / (Nm***) / ft/lb* / (ft/lb**)	Nm per callipers / (Nm***) / ft/lb* / (ft/lb**)
Mini	30 / 22				
19-25	40/(90) / 29/(65)				
22-30	40/(90) / 29/(65)		50/(300) / 36/(220)	80/(640) / 58/(460)	120/(1200) / 87/(870)
30-40	40/(90) / 29/(65)	200/(440) / 140/(320)	50/(300) / 36/(220)	80/(640) / 58/(460)	120/(1200) / 87/(870)
40-50	50/(110) / 36/(80)	200/(440) / 140/(320)	50/(300) / 36/(220)	80/(640) / 58/(460)	120/(1200) / 87/(870)
50-80		200/(440) / 140/(320)	50/(300) / 36/(220)	80/(640) / 58/(460)	120/(1200) / 87/(870)
Sliding-chuck					
22-30	40/(90) / 29/(65)		50/(300) / 36/(220)	80/(640) / 58/(460)	120/(1200) / 87/(870)
30-40	40/(90) / 29/(65)	200/(440) / 140/(320)	50/(300) / 36/(220)	80/(640) / 58/(460)	120/(1200) / 87/(870)
40-50	50/(110) / 36/(80)	200/(440) / 140/(320)	50/(300) / 36/(220)	80/(640) / 58/(460)	120/(1200) / 87/(870)
Series A					
A40	40/(90) / 29/(65)	200/(440) / 140/(320)	50/(300) / 36/(220)	80/(640) / 58/(460)	120/(1200) / 87/(870)
A50	50/(110) / 36/(80)	200/(440) / 140/(320)	50/(300) / 36/(220)	80/(640) / 58/(460)	120/(1200) / 87/(870)
A80		200/(440) / 140/(320)	50/(300) / 36/(220)	80/(640) / 58/(460)	120/(1200) / 87/(870)
Series P					
P40		200/(440) / 140/(320)	50/(300) / 36/(220)	80/(640) / 58/(460)	120/(1200) / 87/(870)
P50		200/(440) / 140/(320)	50/(300) / 36/(220)	80/(640) / 58/(460)	120/(1200) / 87/(870)

All data is on a basis of 5 bar (15 psi) pressure.

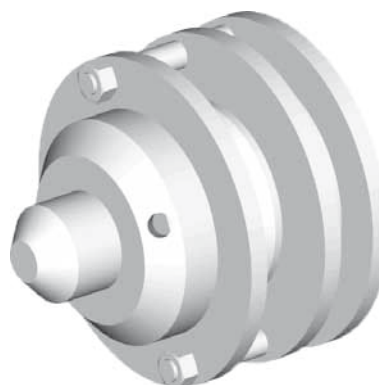
- * max. brake torque
- ** with membrane cylinder II
- *** with max. no. of callipers



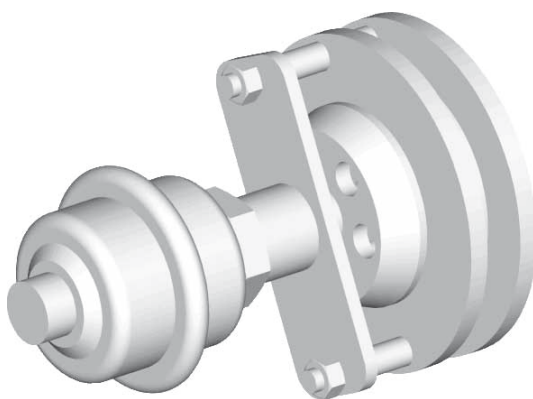
6.10 Single disc brake type ESB mini



Single disc brake manual



Single disc brake pneumatic

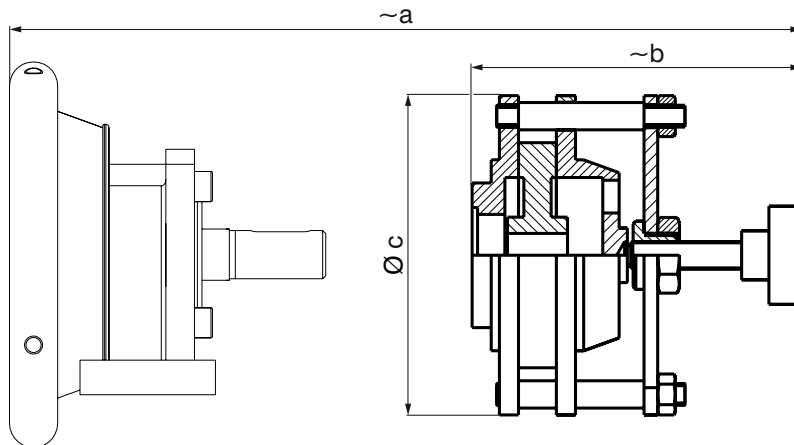


Single disc brake with membrane cylinder I

	ESB Mini		
	manual	pneumatic	membrane I
type mini			
performance kW (h.p.)	0.1 (0.134)	0.1 (0.134)	0.1 (0.134)
max. brake torque Nm (ft/lb)	30 (22,1)	30 (22,1)	30 (22,1)

All data is on a basis of 5 bar (14,5 psi) pressure.

Mini Chuck with manual single disc brake

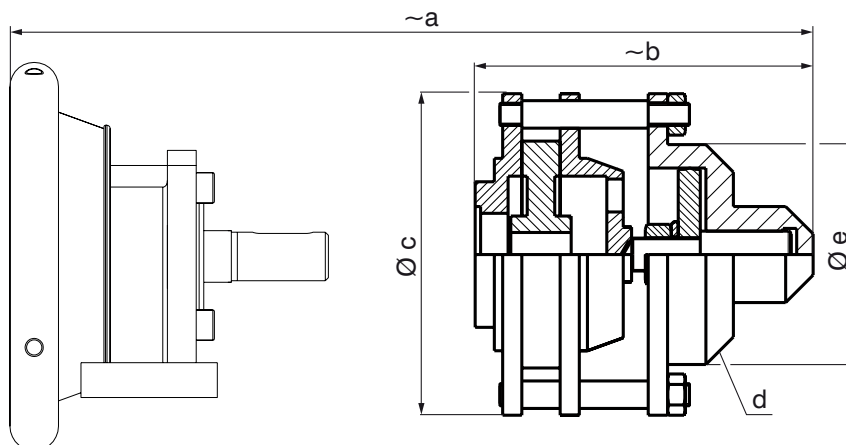


picture of chuck just symbolic

	a	b	c
Mini Chuck + ESB manual	174	110	117

Dimension schedule for Boschert-Chuck see chapter 2.00

Mini Chuck with pneumatic single disc brake



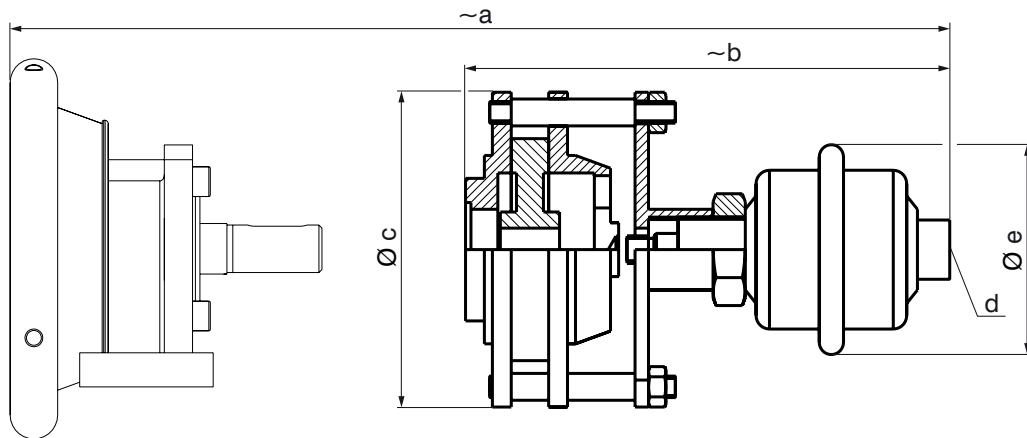
picture of chuck just symbolic

	a	b	c	d	e
Mini Chuck + ESB pneumatic	192	125	117	G 1/8	80

Dimension schedule for Boschert-Chuck see chapter 2.00

ESB mini and membrane cylinder I

Mini chuck with single disc brake and membrane cylinder I

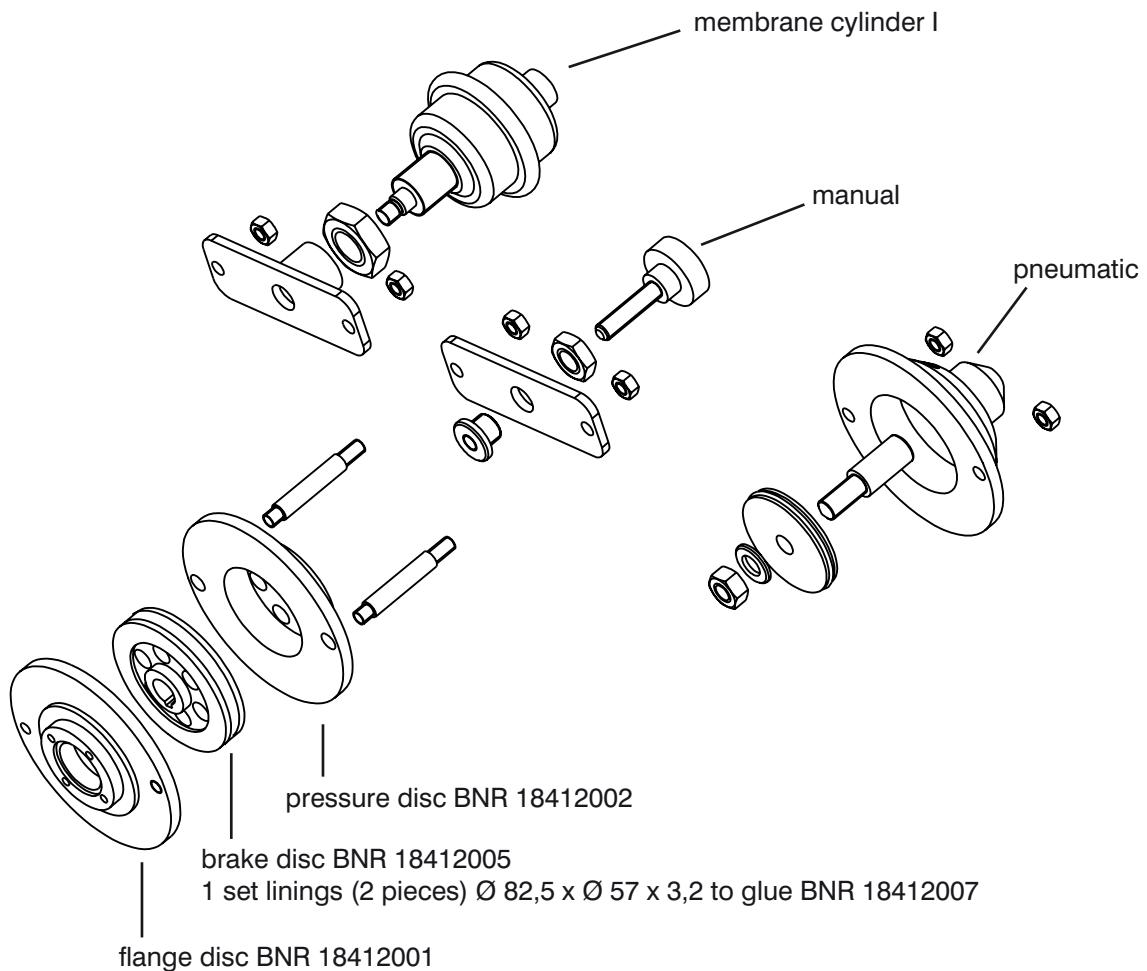
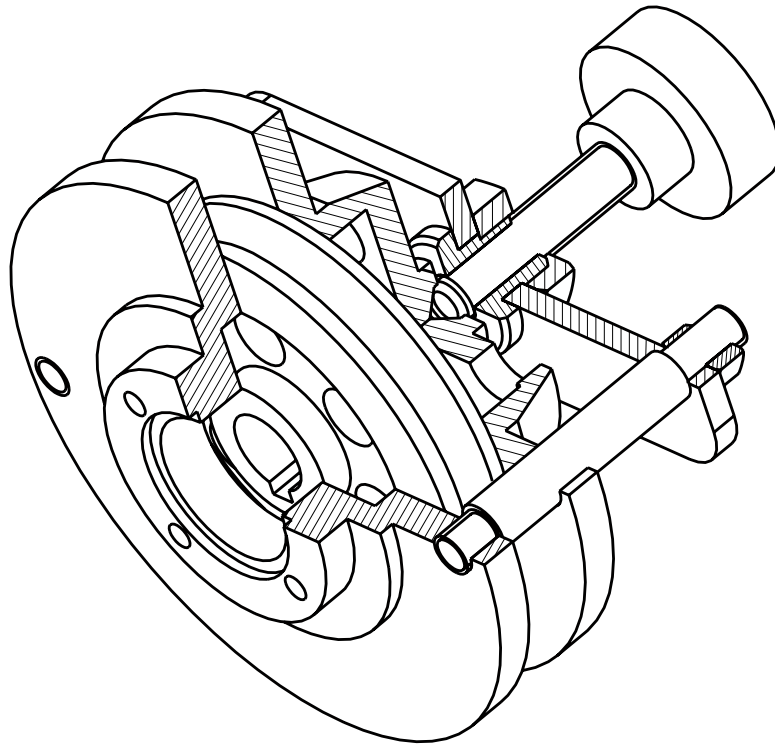


picture of chuck just symbolic

	a	b	c	d	e
Mini Chuck + ESB membrane I	234	170	117	G 1/4	80

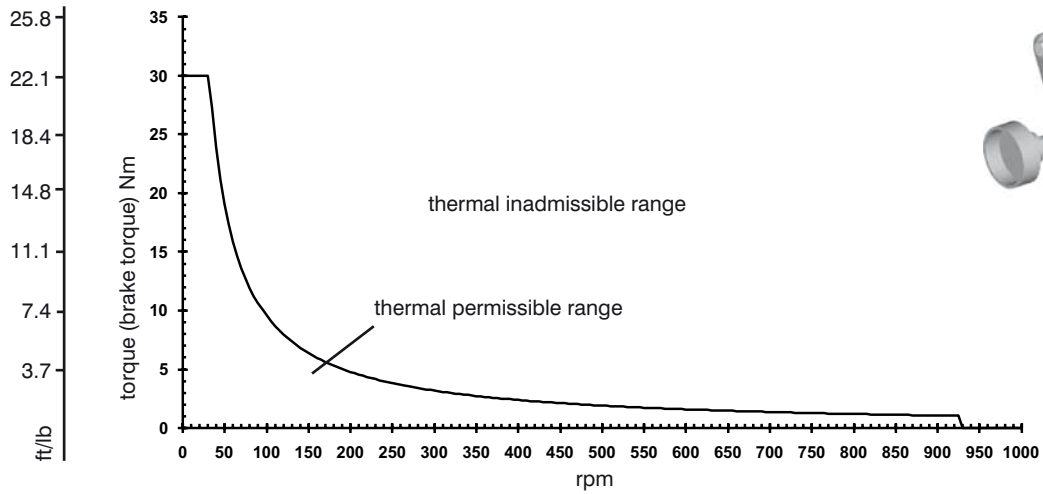
Dimension schedule for Boschert-Chuck see chapter 2.00

ESB mini wearing-parts

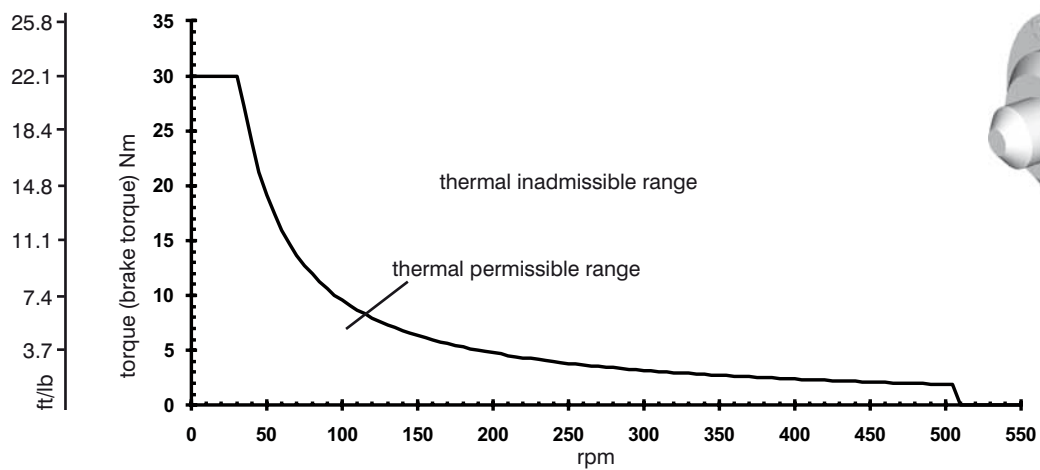


ESB Mini performance diagrams

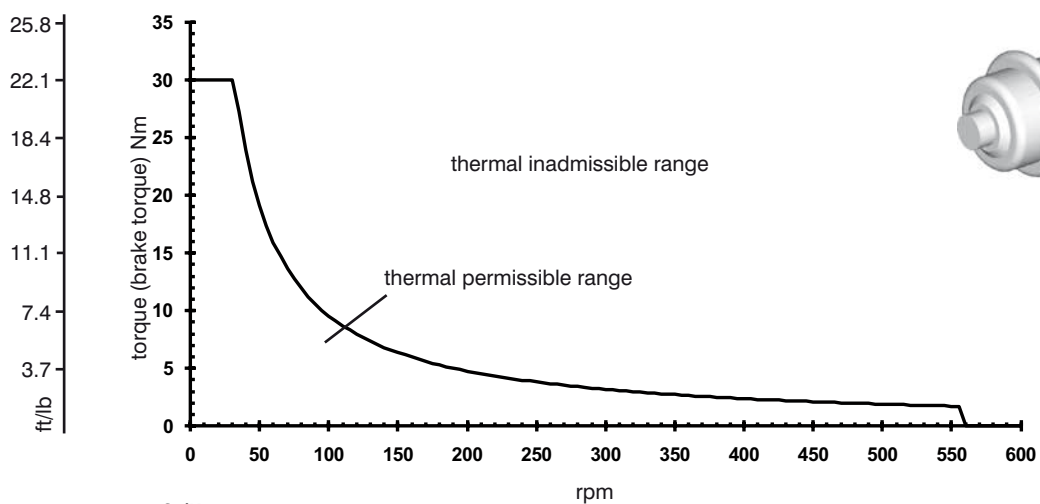
ESB Mini manual



ESB Mini pneumatic



ESB Mini membrane I



1 Nm = 0.7376 ft/lb

Mattenstrasse 1
D-79541 Loerrach-Hauingen

infokl@boschert.de
www.boschert.de

Tel.: +49 (0) 7621 / 9593 0
Fax: +49 (0) 7621 / 5518 4

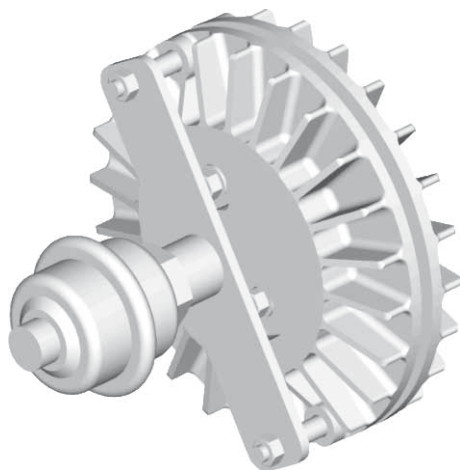
6.20 Single disc brake type ESB



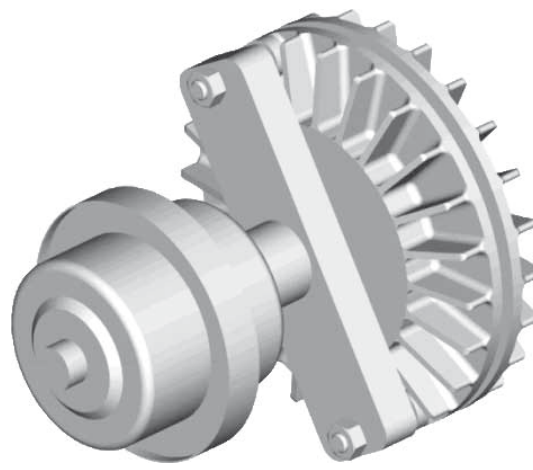
Single disc brake manual



Single disc brake pneumatic



Single disc brake with membrane cylinder I

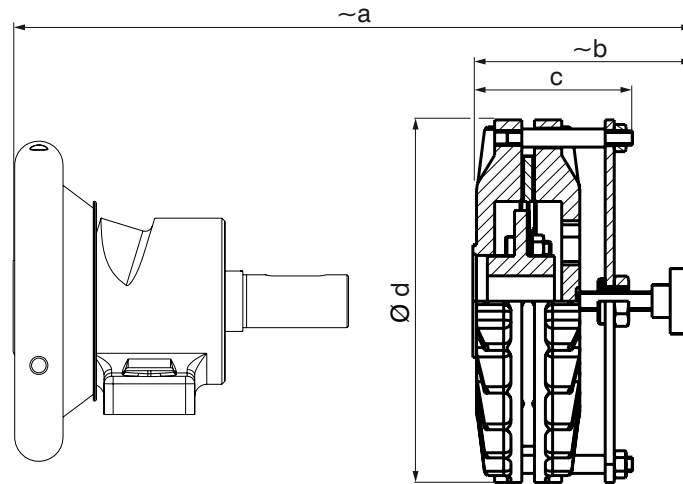


Single disc brake with membrane cylinder II

	ESB			
	manual	pneumatic	membrane I	membrane II
type 19-25				
performance kW (h.p.)	0.15 (0.201)	0.15 (0.201)	0.15 (0.201)	0.15 (0.201)
max. brake torque Nm (ft/lb)	40 (29,5)	40 (29,5)	40 (29,5)	90 (66,4)
type 22-30				
performance kW (h.p.)	0.15 (0.201)	0.15 (0.201)	0.15 (0.201)	0.15 (0.201)
max. brake torque Nm (ft/lb)	40 (29,5)	40 (29,5)	40 (29,5)	90 (66,4)
type 30-40 / A40				
performance kW (h.p.)	0.15 (0.201)	0.15 (0.201)	0.15 (0.201)	0.15 (0.201)
max. brake torque Nm (ft/lb)	40 (29,5)	40 (29,5)	40 (29,5)	90 (66,4)
type 40-50 / A50				
performance kW (h.p.)	0.2 (0.268)	0.2 (0.268)	0.2 (0.268)	0.2 (0.268)
max. brake torque Nm (ft/lb)	50 (36,9)	50 (36,9)	50 (36,9)	110 (81,1)

All data is on a basis of 5 bar (72,5 psi) pressure.

Safety Chuck with manual single disc brake

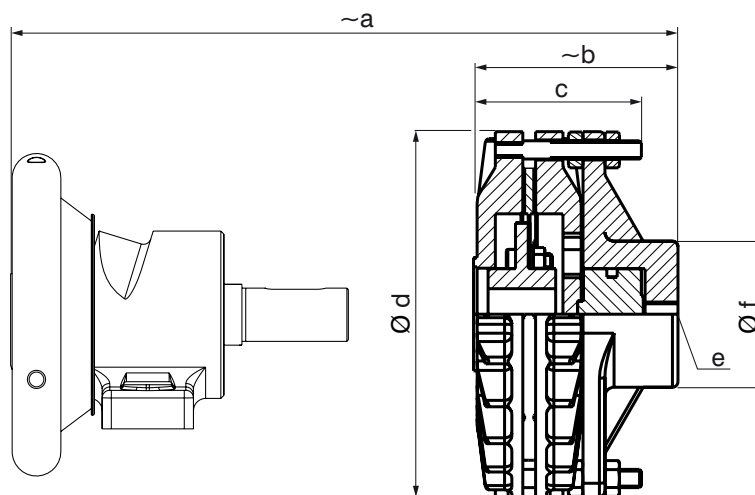


picture of chuck just symbolic

	a	b	c	d
Safety Chuck 19-25 + ESB manual	235	118	86	200
Safety Chuck 22-30 + ESB manual	241	118	86	200
Safety Chuck 30-40 + ESB manual	258	118	86	200
Safety Chuck 40-50 + ESB manual	327	136.5	110	235

Dimension schedule for Boschert-Chuck see chapter 2.10 - 2.40

Safety chuck with pneumatic single disc brake



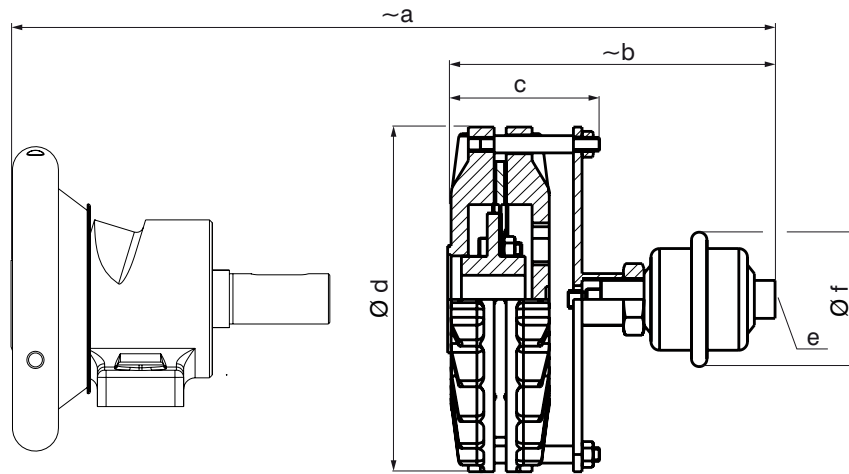
picture of chuck just symbolic

	a	b	c	d	e	f
Safety Chuck 19-25 + ESB pneumatic	227	110	90	200	G 1/4	80
Safety Chuck 22-30 + ESB pneumatic	233	110	90	200	G 1/4	80
Safety Chuck 30-40 + ESB pneumatic	250	110	90	200	G 1/4	80
Safety Chuck 40-50 + ESB pneumatic	324	133.5	107	235	G 1/4	80

Dimension schedule for Boschert-Chuck see chapter 2.10 - 2.40

ESB and membrane cylinder I / II

Safety chuck with single disc brake and membrane cylinder I

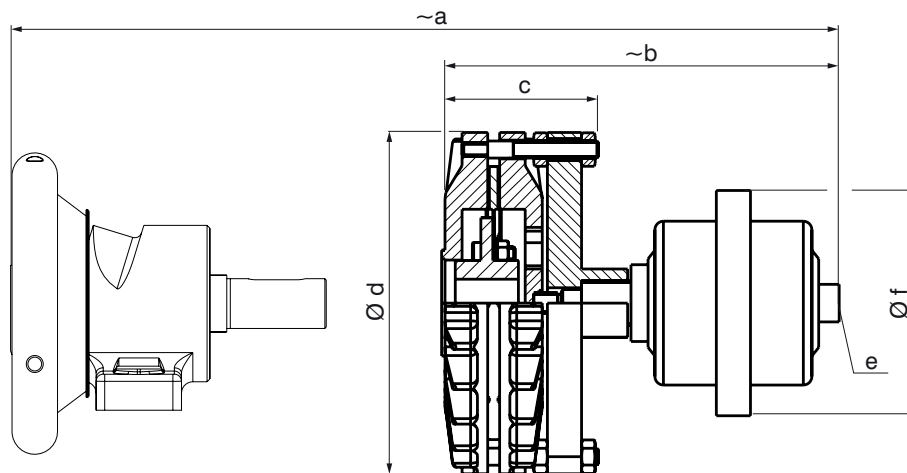


picture of chuck just symbolic

	a	b	c	d	e	f
Safety Chuck 19-25 + ESB membrane I	292	175	86	200	G 1/4	80
Safety Chuck 22-30 + ESB membrane I	298	175	86	200	G 1/4	80
Safety Chuck 30-40 + ESB membrane I	315	175	86	200	G 1/4	80
Safety Chuck 40-50 + ESB membrane I	375	185	110	235	G 1/4	80

Dimension schedule for Boschert-Chuck see chapter 2.10 - 2.40

Safety chuck with single disc brake and membrane cylinder II

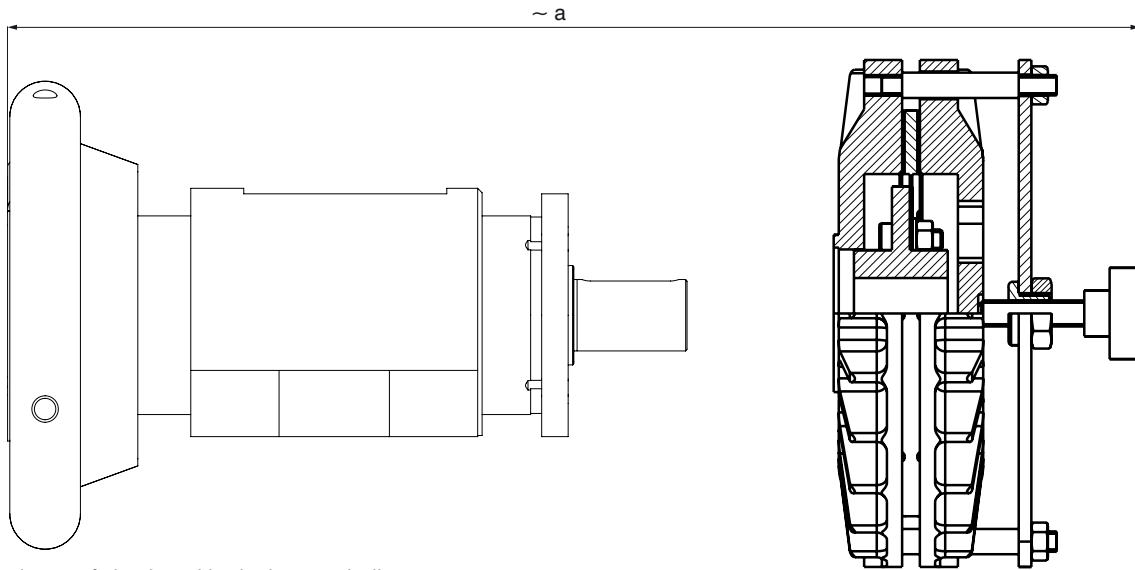


picture of chuck just symbolic

	a	b	c	d	e	f
Safety Chuck 22-30 + ESB membrane II	354	231	90	200	G 1/4	132
Safety Chuck 30-40 + ESB membrane II	371	231	90	200	G 1/4	132
Safety Chuck 40-50 + ESB membrane II	440	250	84	235	G 1/4	132

Dimension schedule for Boschert-Chuck see chapter 2.10 - 2.40

Overall dimension ESB with Sliding-, A- and P-Chuck



picture of chuck and brake just symbolic

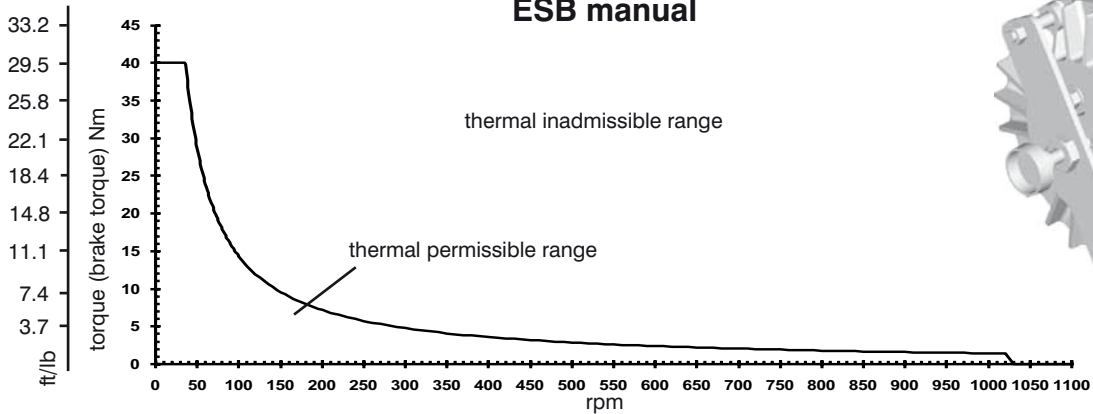
overall dimension „a“
for Boschert Sliding-, A- and P-Chuck (flange- and foot mounted chuck)

	ESB				chuck dim. on page
	manual	pneumatic	membrane I	membrane II	
brake dim. on page	6.21	6.21	6.22	6.22	
Sliding-Chuck					
22-30					
50 mm adjustment	369	361	428	484	3.03 - 3.06
100 mm adjustment	469	461	528	584	3.03 - 3.06
30-40					
50 mm adjustment	371	364	426	482	3.03 - 3.06
100 mm adjustment	471	464	526	582	3.03 - 3.06
40-50					
50 mm adjustment	397	393.5	462	513	3.03 - 3.06
100 mm adjustment	497	493.5	562	613	3.03 - 3.06
A Chuck					
A40	258	250	315	371	4.21 - 4.22
A50	327	324	396	440	4.31 - 4.32
P Chuck					
P40	338	330	395	451	4.61 - 4.62
P50	393	330	455	506	4.71 - 4.72

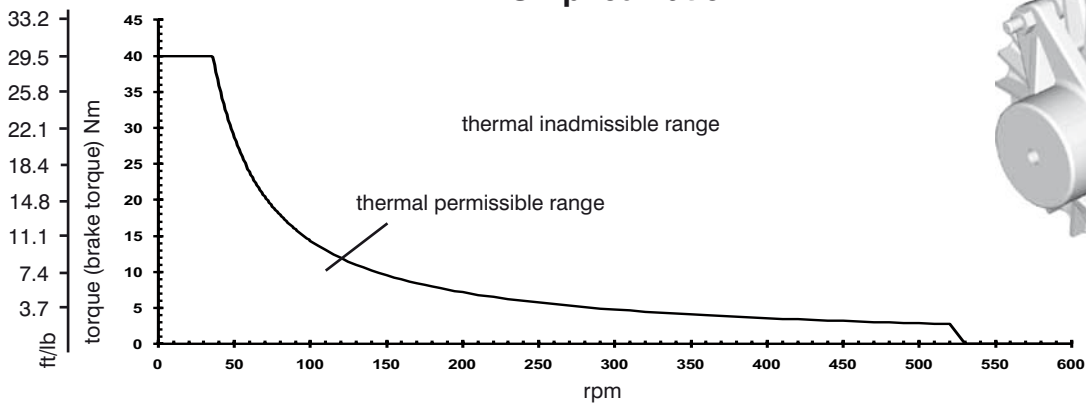
A Chucks = A Series Pneumatic Safety Chucks
P Chucks = P Series Pneumatic Safety Chucks

ESB performance diagrams type 19-25 / 22-30 / 30-40

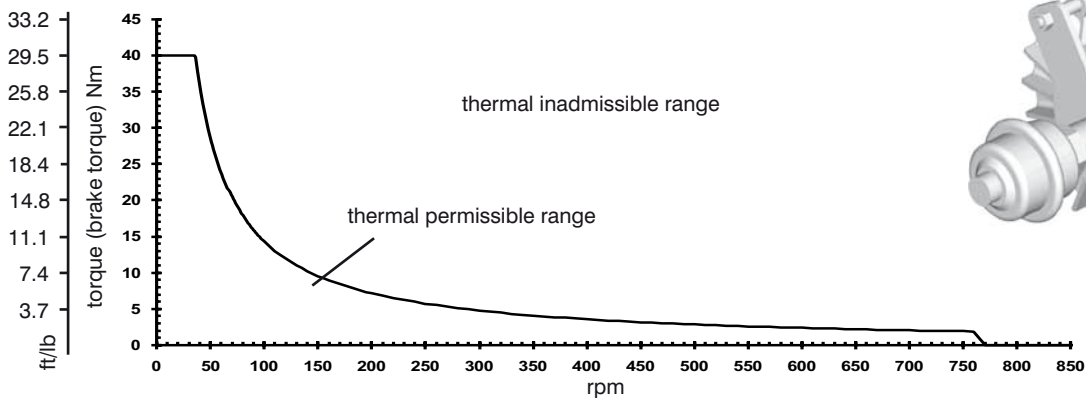
ESB manual



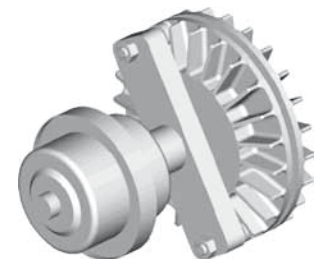
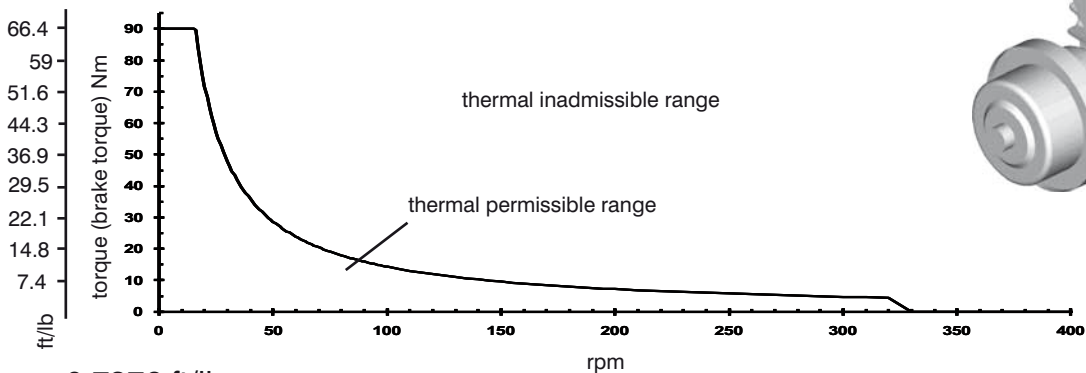
ESB pneumatic



ESB membrane I



ESB membrane II



1 Nm = 0.7376 ft/lb

Mattenstrasse 1
D-79541 Loerrach-Hauingen

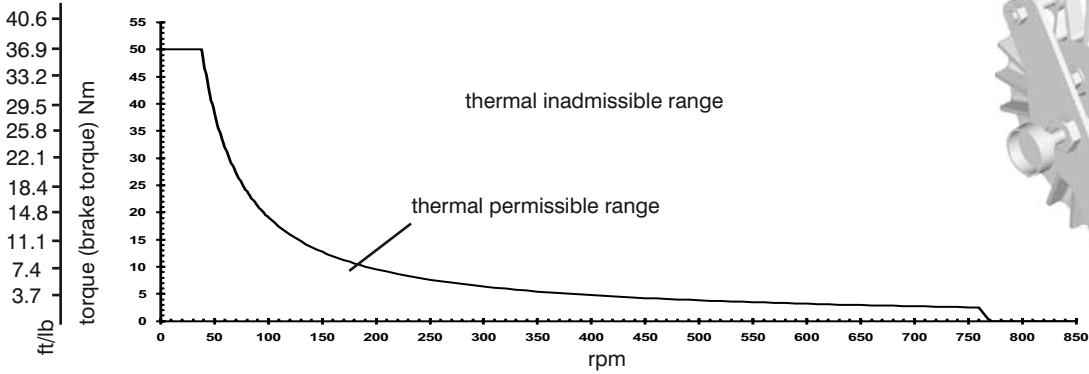
infokl@boschert.de
www.boschert.de

Tel.: +49 (0) 7621 / 9593 0
Fax: +49 (0) 7621 / 5518 4

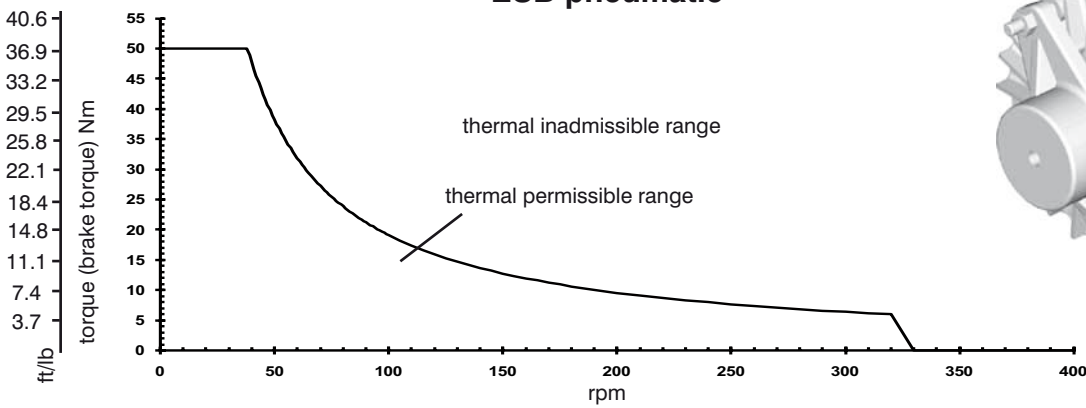
ESB performance diagrams type 40-50



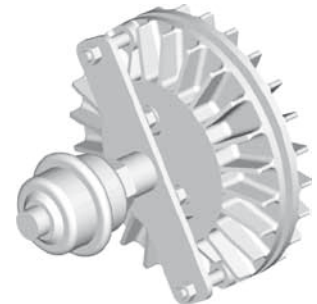
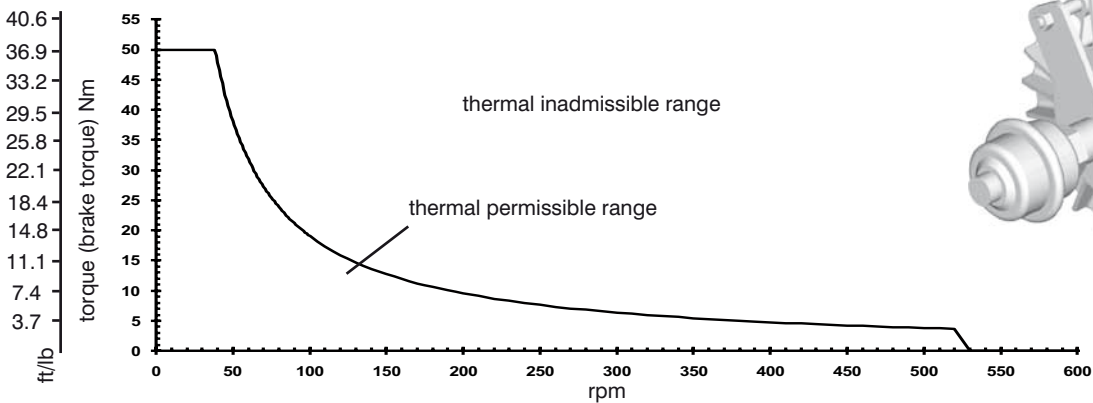
ESB manual



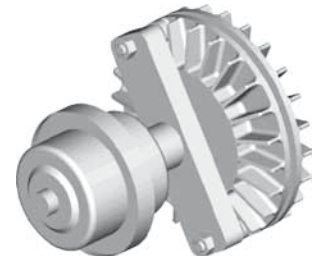
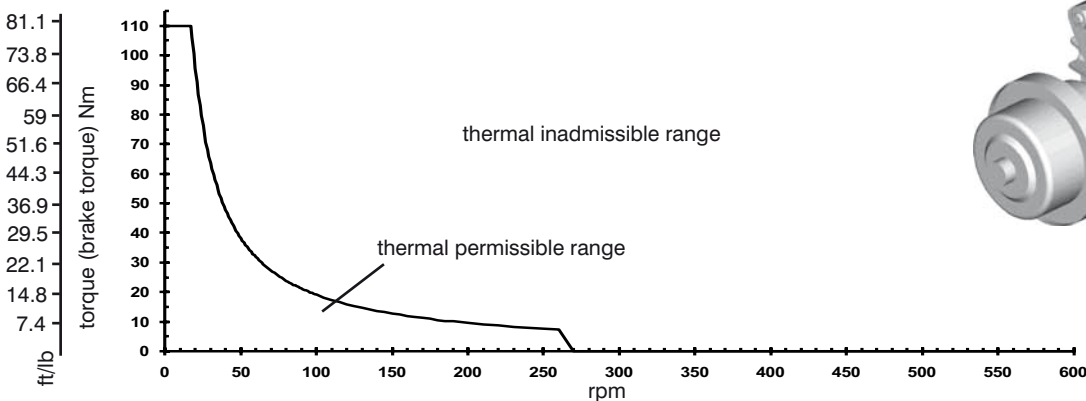
ESB pneumatic



ESB membrane I



ESB membrane II



1 Nm = 0.7376 ft/lb

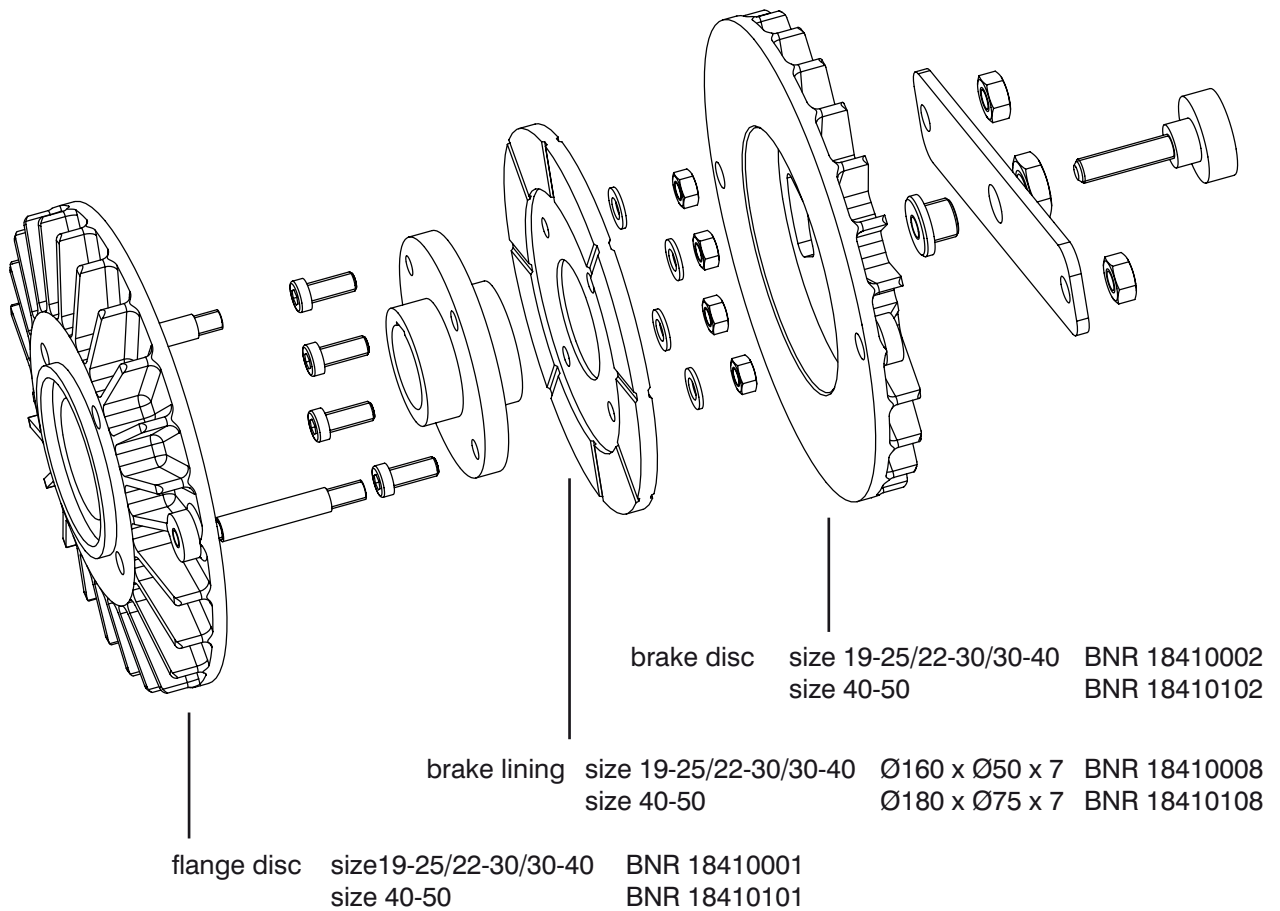
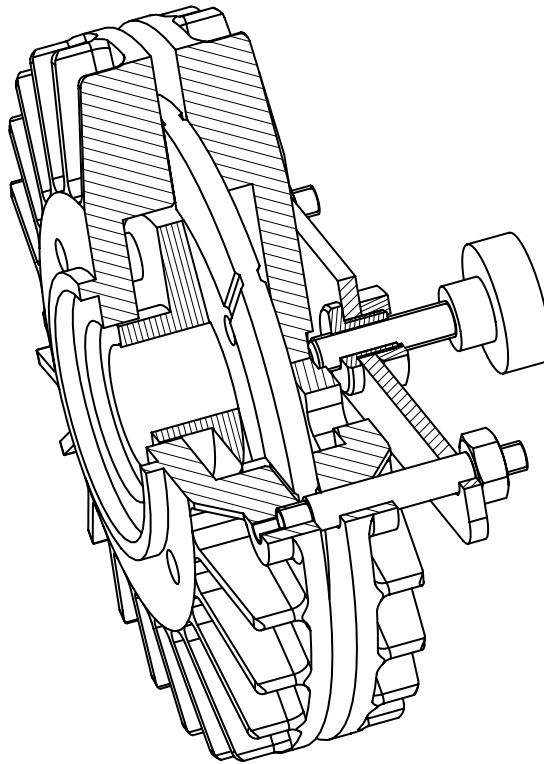
6.25

Mattenstrasse 1
D-79541 Loerrach-Hauingen

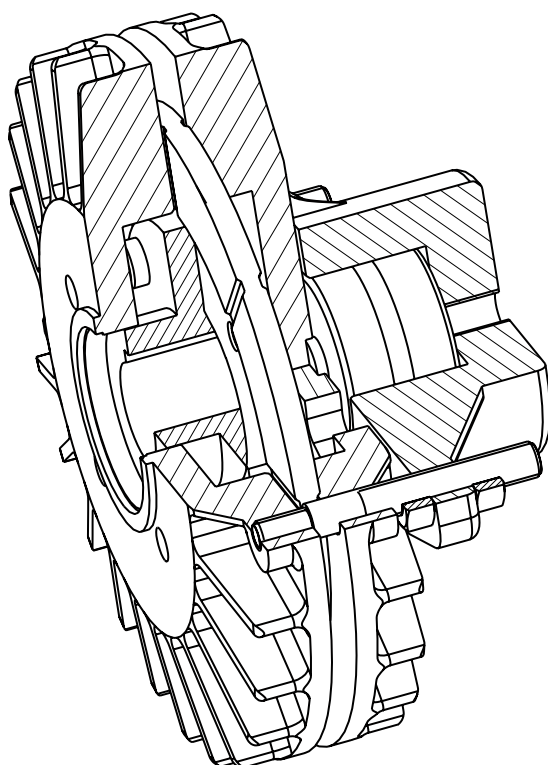
infokl@boschert.de
www.boschert.de

Tel.: +49 (0) 7621 / 9593 0
Fax: +49 (0) 7621 / 5518 4

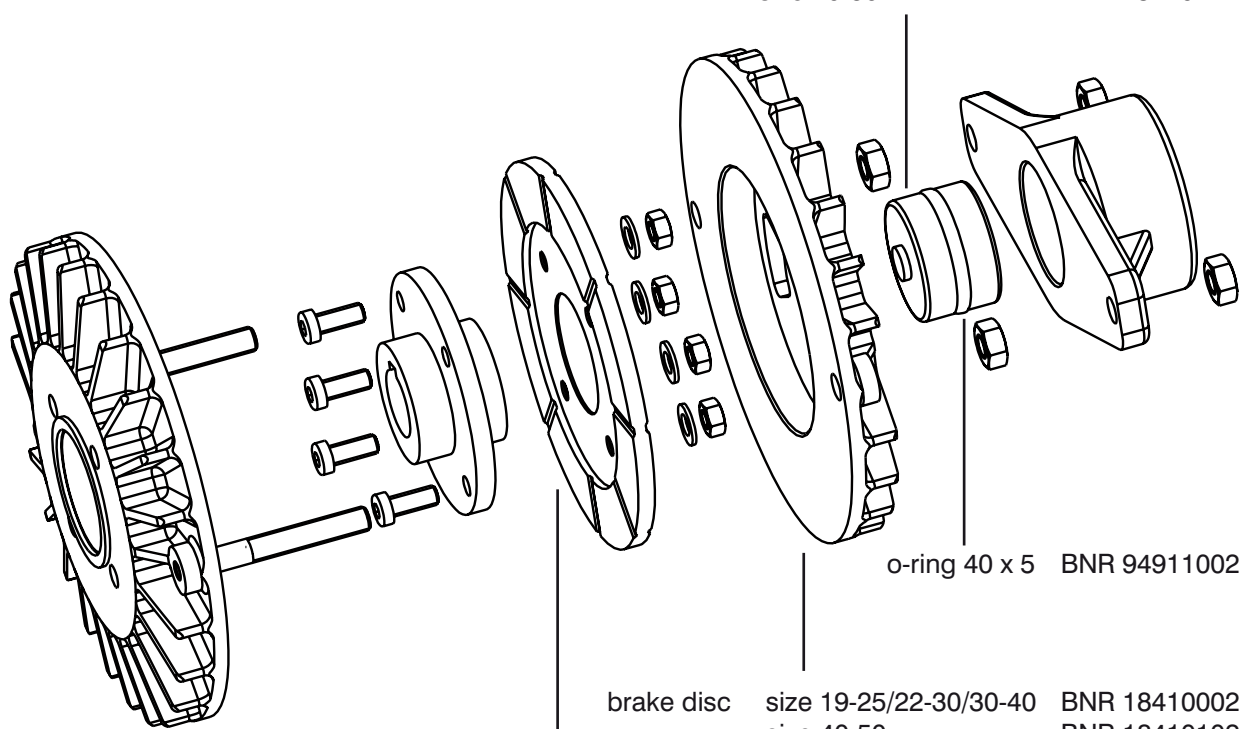
ESB manual wearing-parts



ESB pneumatic wearing-parts



pneumatic piston size 19-25/22-30/30-40 BNR 18410027
size 40-50 BNR 18410127



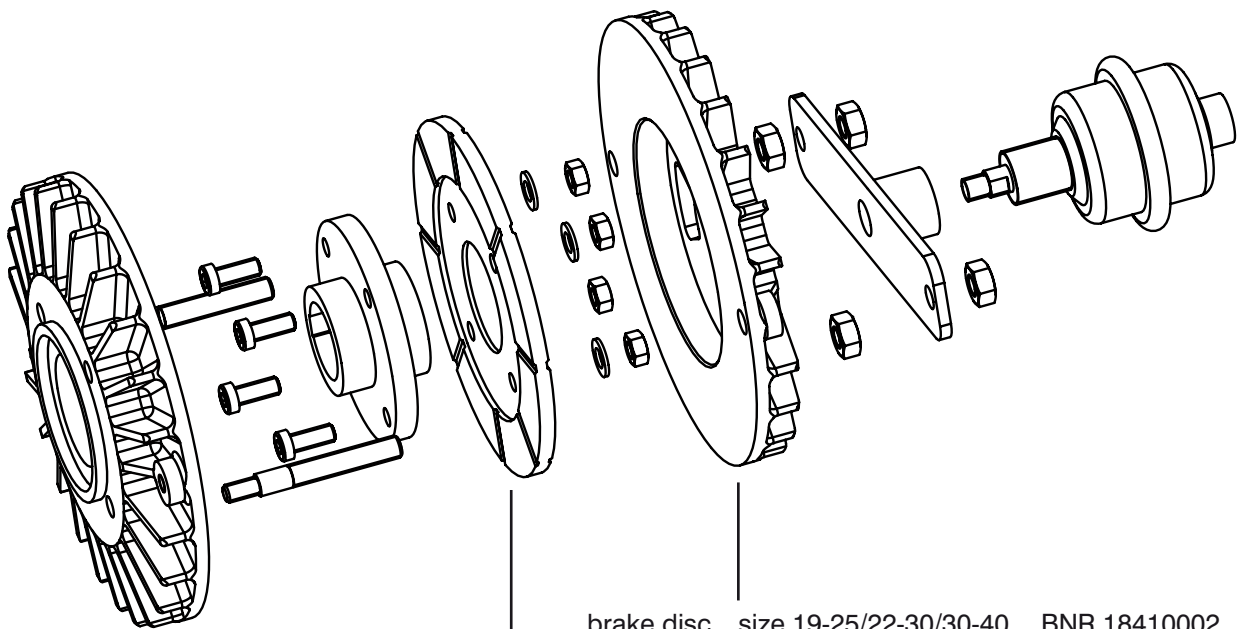
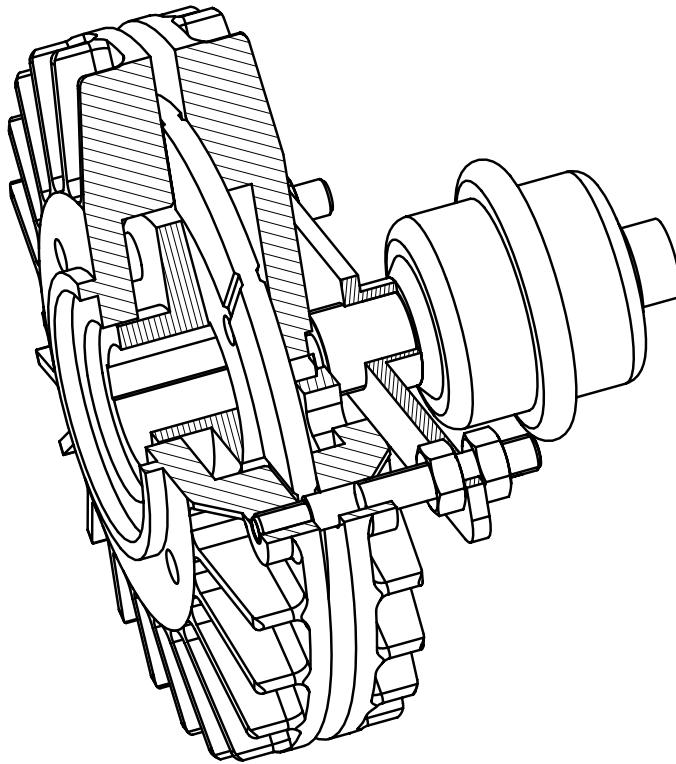
o-ring 40 x 5 BNR 94911002

brake disc size 19-25/22-30/30-40 BNR 18410002
size 40-50 BNR 18410102

brake lining size 19-25/22-30/30-40 $\varnothing 160 \times \varnothing 50 \times 7$ BNR 18410008
size 40-50 $\varnothing 180 \times \varnothing 75 \times 7$ BNR 18410108

flange disc size 19-25/22-30/30-40 BNR 18410001
size 40-50 BNR 18410101

ESB membrane I wearing-parts

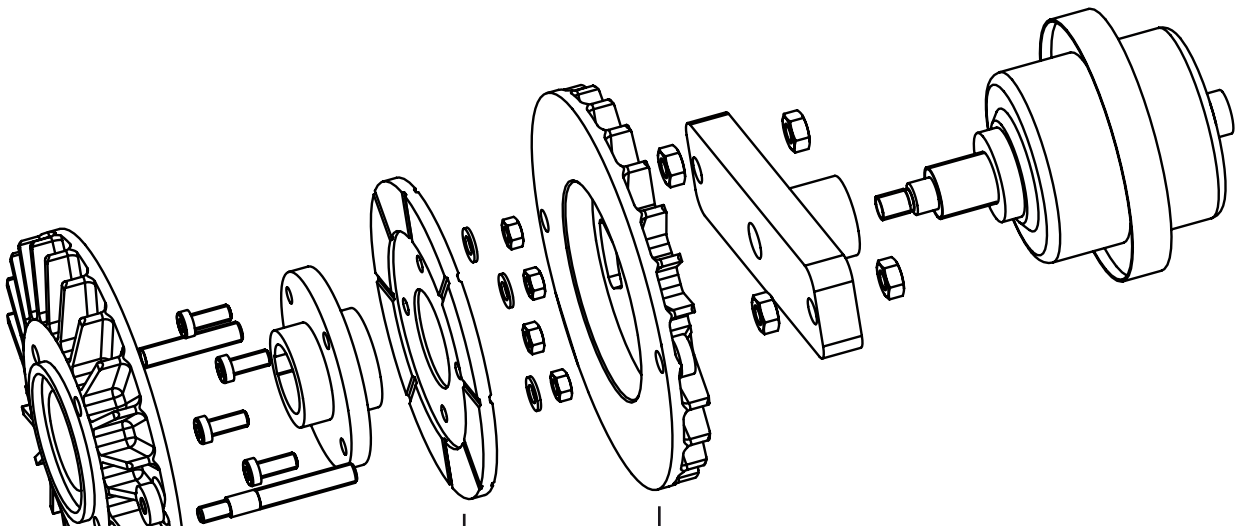
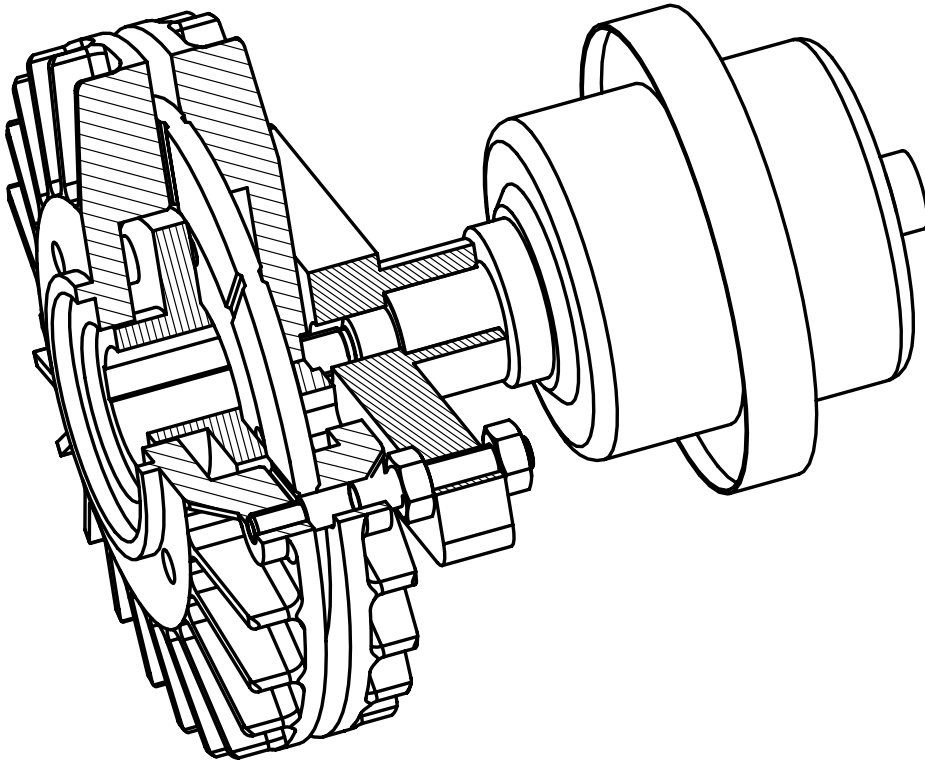


flange disc size 19-25/22-30/30-40 BNR 18410001
size 40-50 BNR 18410101

brake lining size 19-25/22-30/30-40 $\varnothing 160 \times \varnothing 50 \times 7$ BNR 18410008
size 40-50 $\varnothing 180 \times \varnothing 75 \times 7$ BNR 18410108

brake disc size 19-25/22-30/30-40 BNR 18410002
size 40-50 BNR 18410102

ESB membrane II wearing-parts



flange disc	size 19-25/22-30/30-40 size 40-50	BNR 18410001 BNR 18410101			
brake lining	size 19-25/22-30/30-40 size 40-50	BNR 18410008 BNR 18410108	Ø160 x Ø50 x 7 Ø180 x Ø75 x 7		
				brake disc	size 19-25/22-30/30-40 size 40-50 BNR 18410002 BNR 18410102

6.40 Double disc brake type DSB



Double disc brake manual



Double disc brake pneumatic



Double disc brake with membrane cylinder I

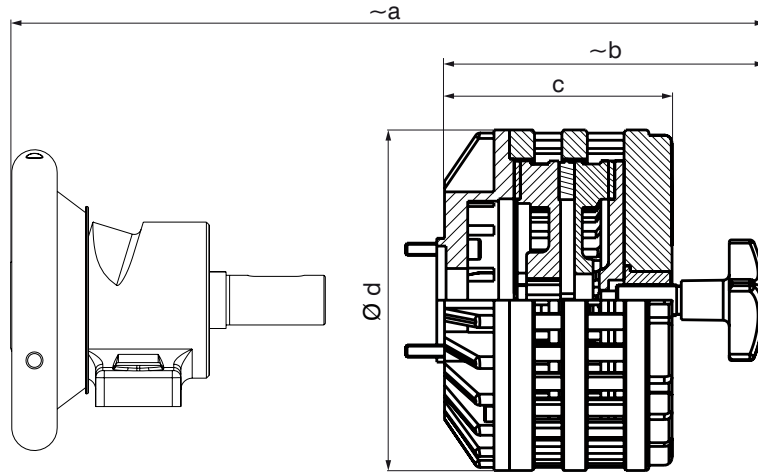


Double disc brake with membrane cylinder II

	DSB			
	manual	pneumatic	membrane I	membrane II
type 30-40 / A40 / P40				
performance kW (h.p.)	0,6 (0.805)	0,6 (0.805)	0,6 (0.805)	0,6 (0.805)
max. brake torque Nm (ft/lb)	200 (147,5)	200 (147,5)	200 (147,5)	440 (324,5)
type 40-50 / A50 / P50				
performance kW (h.p.)	0,6 (0.805)	0,6 (0.805)	0,6 (0.805)	0,6 (0.805)
max. brake torque Nm (ft/lb)	200 (147,5)	200 (147,5)	200 (147,5)	440 (324,5)
type 50-80 / A80				
performance kW (h.p.)	0,6 (0.805)	0,6 (0.805)	0,6 (0.805)	0,6 (0.805)
max. brake torque Nm (ft/lb)	200 (147,5)	200 (147,5)	200 (147,5)	440 (324,5)

All data is on a basis of 5 bar (72,5 psi) pressure.

Safety Chuck with manual double disc brake

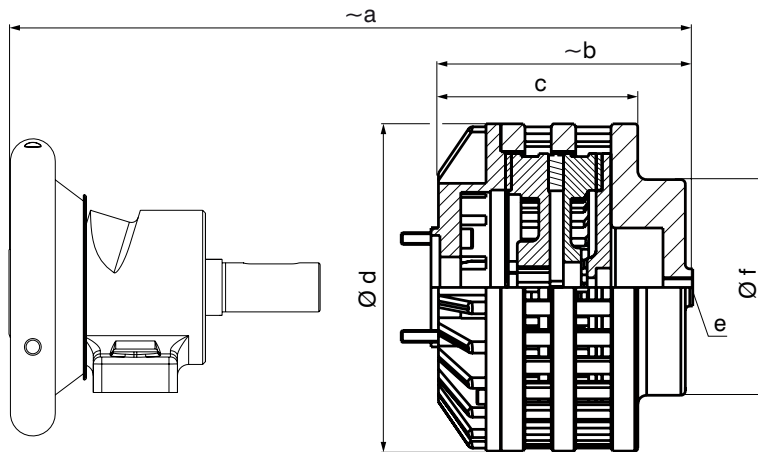


picture of chuck just symbolic

	a	b	c	d
Safety Chuck 30-40 + DSB manual	352	215	147	220
Safety Chuck 40-50 + DSB manual	403	215	147	220
Safety Chuck 50-80 + DSB manual	472	215	147	220

Dimension schedule for Boschert-Chuck see chapter 2.30 - 2.50

Safety Chuck with pneumatic double disc brake



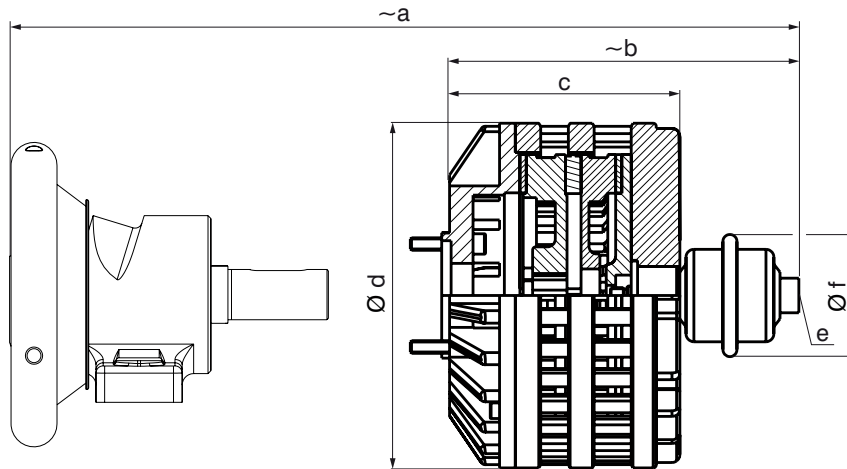
picture of chuck just symbolic

	a	b	c	d	e	f
Safety Chuck 30-40 + DSB pneumatic	310	170	147	200	G 1/4	145
Safety Chuck 40-50 + DSB pneumatic	361	170	147	200	G 1/4	145
Safety Chuck 50-80 + DSB pneumatic	430	170	147	235	G 1/4	145

Dimension schedule for Boschert-Chuck see chapter 2.30 - 2.50

DSB membrane cylinder I / DSB membrane cylinder II

Safety Chuck with double disc brake and membrane cylinder I

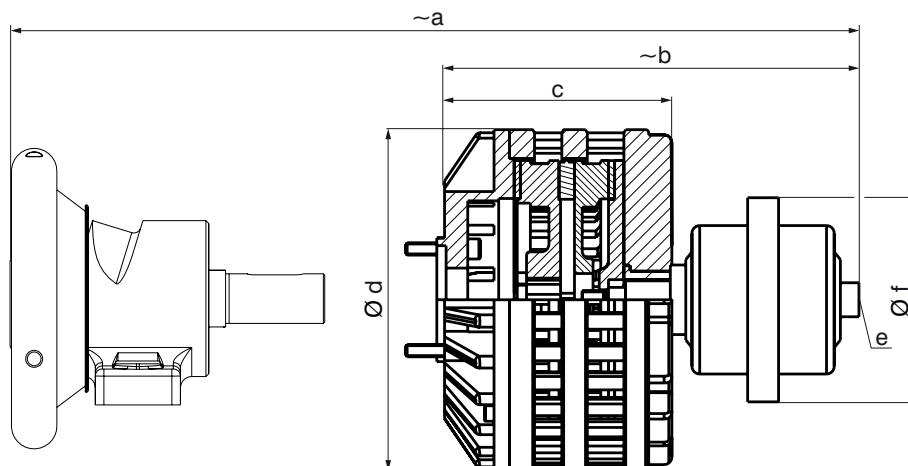


picture of chuck just symbolic

	a	b	c	d	e	f
Safety Chuck 30-40 + DSB membrane I	363	226	146	220	G 1/4	80
Safety Chuck 40-50 + DSB membrane I	414	226	146	220	G 1/4	80
Safety Chuck 50-80 + DSB membrane I	483	226	146	220	G 1/4	80

Dimension schedule for Boschert-Chuck see chapter 2.30 - 2.50

Safety Chuck with double disc brake and membrane cylinder II

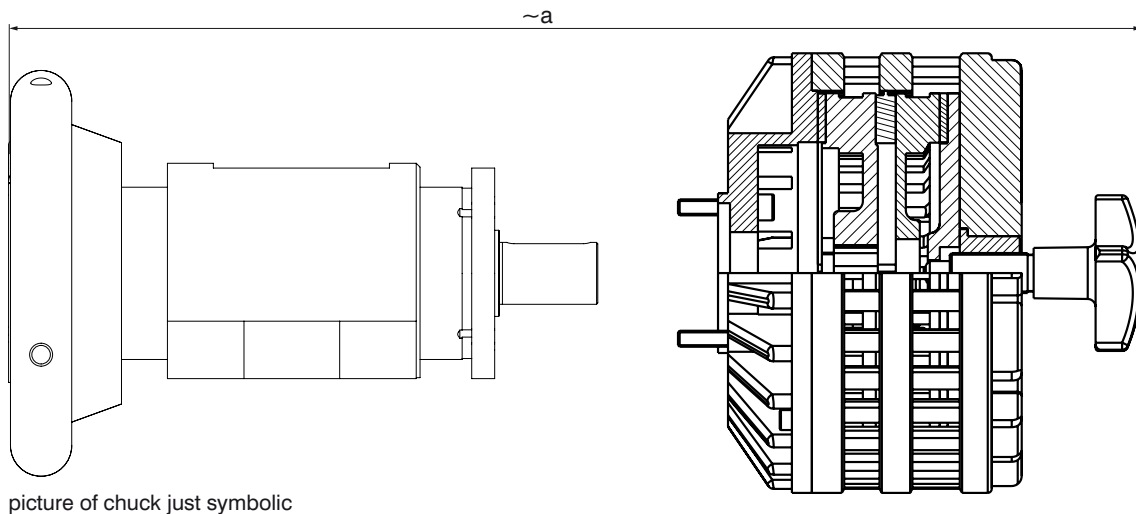


picture of chuck just symbolic

	a	b	c	d	e	f
Safety Chuck 30-40 + DSB membrane II	423	286	146	220	G 1/4	132
Safety Chuck 40-50 + DSB membrane II	474	286	146	220	G 1/4	132
Safety Chuck 50-80 + DSB membrane II	543	286	146	220	G 1/4	132

Dimension schedule for Boschert-Chuck see chapter 2.30 - 2.50

Overall dimension DSB with Sliding-, A- and P-chuck



picture of chuck just symbolic

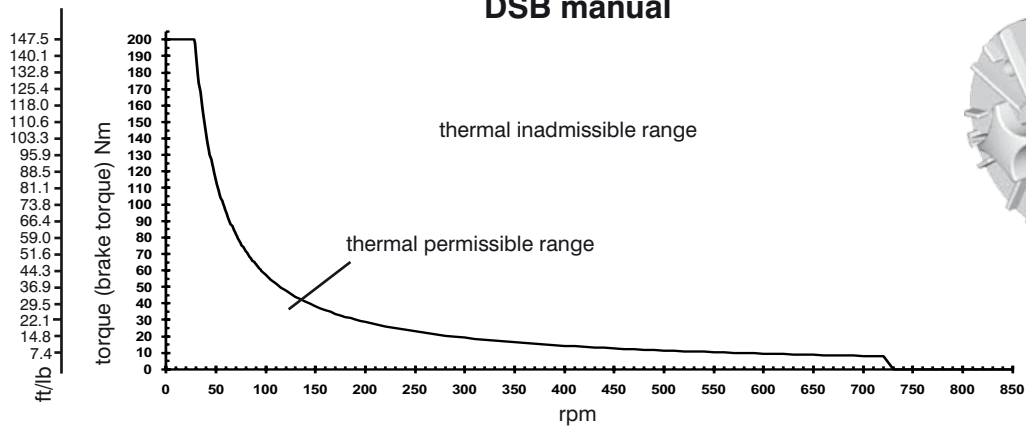
overall dimension „a“
for Boschert Sliding -, A- and P-Chuck (flange- and foot mounted chuck)

	DSB				chuck dim. on page
	manual	pneumatic	membrane I	membrane II	
brake dim. on page	6.41	6.41	6.42	6.42	
Sliding-Chuck					
30-40					
50 mm adjustment	469	424	480	540	3.03 - 3.06
100 mm adjustment	569	524	580	640	3.03 - 3.06
40-50					
50 mm adjustment	472	430	485	546	3.03 - 3.06
100 mm adjustment	575	530	585	646	3.03 - 3.06
A Chuck					
A40	365	325	375	435	4.21 - 4.22
A50	412	370	423	483	4.31 - 4.32
A80	492	450	503	563	4.41 - 4.42
P Chuck					
P40	432	390	438	495	4.61 - 4.62
P50	468	426	507	539	4.71 - 4.72

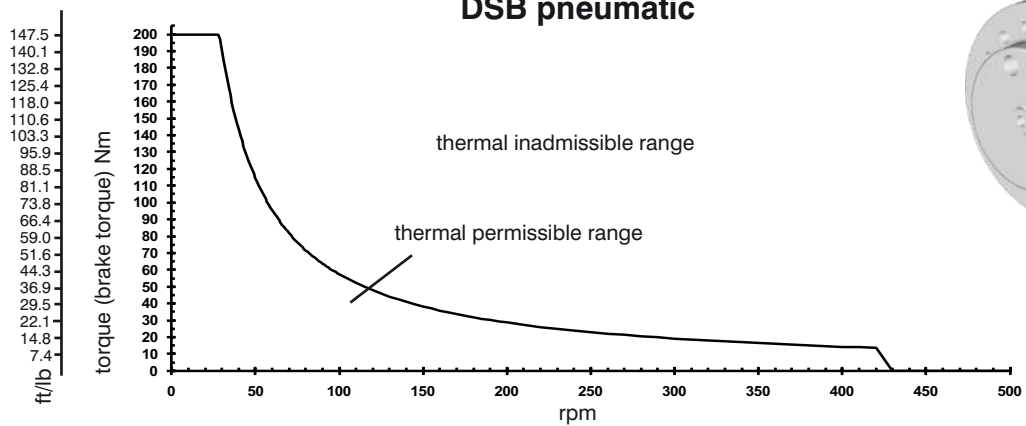
A Chucks = A Series Pneumatic Safety Chucks
P Chucks = P Series Pneumatic Safety Chucks

DSB performance diagrams type 30-40 / 40-50 / 50-80

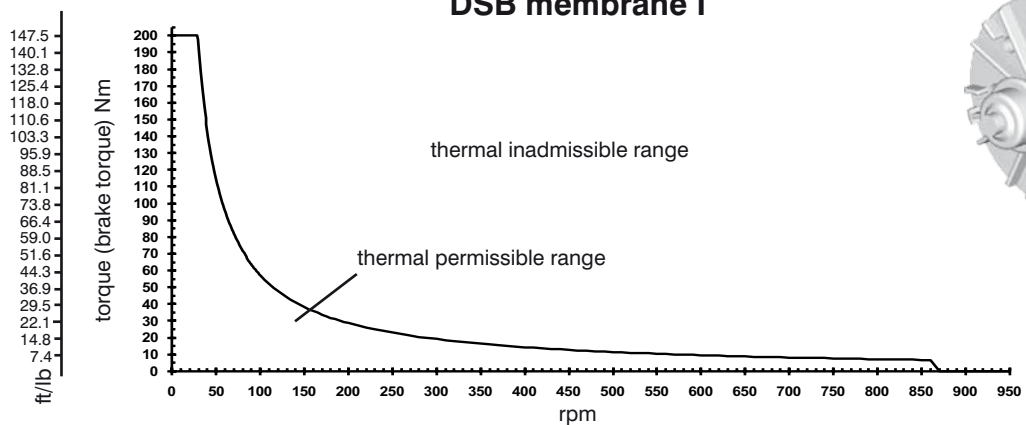
DSB manual



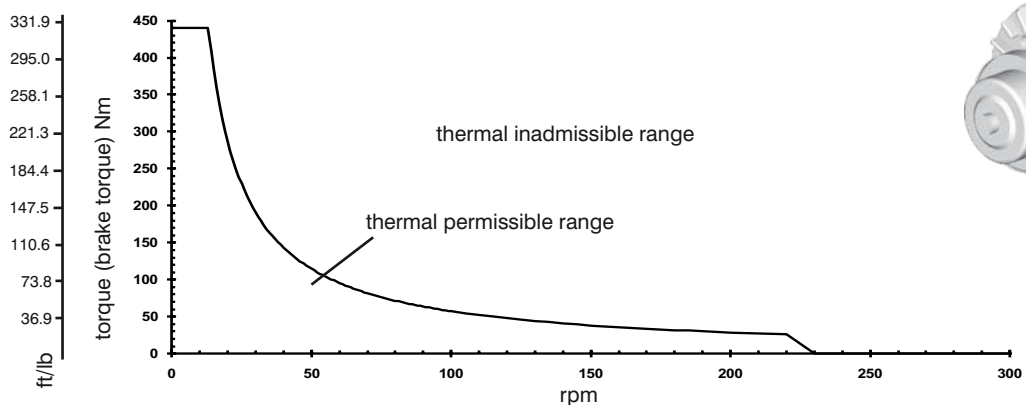
DSB pneumatic

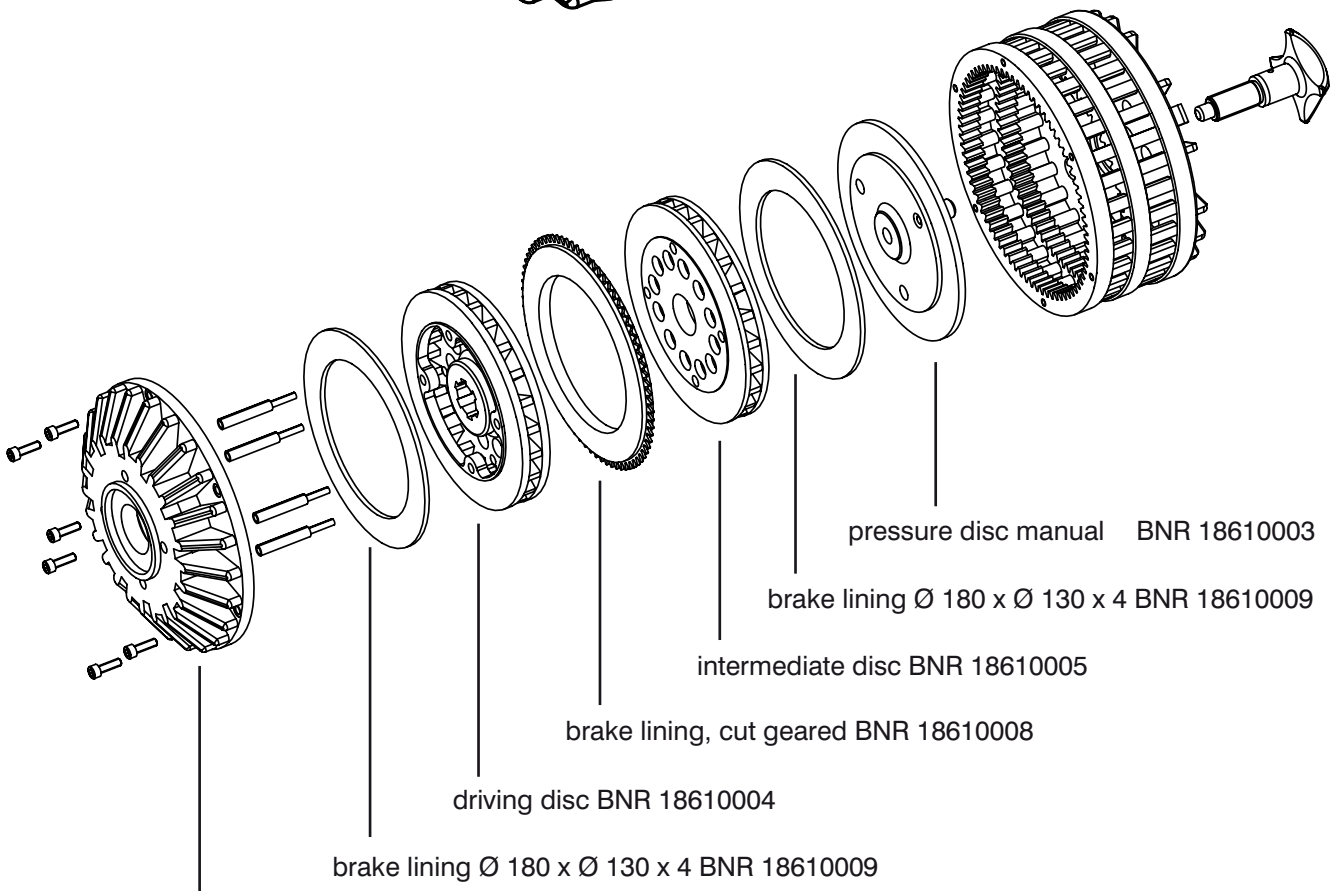
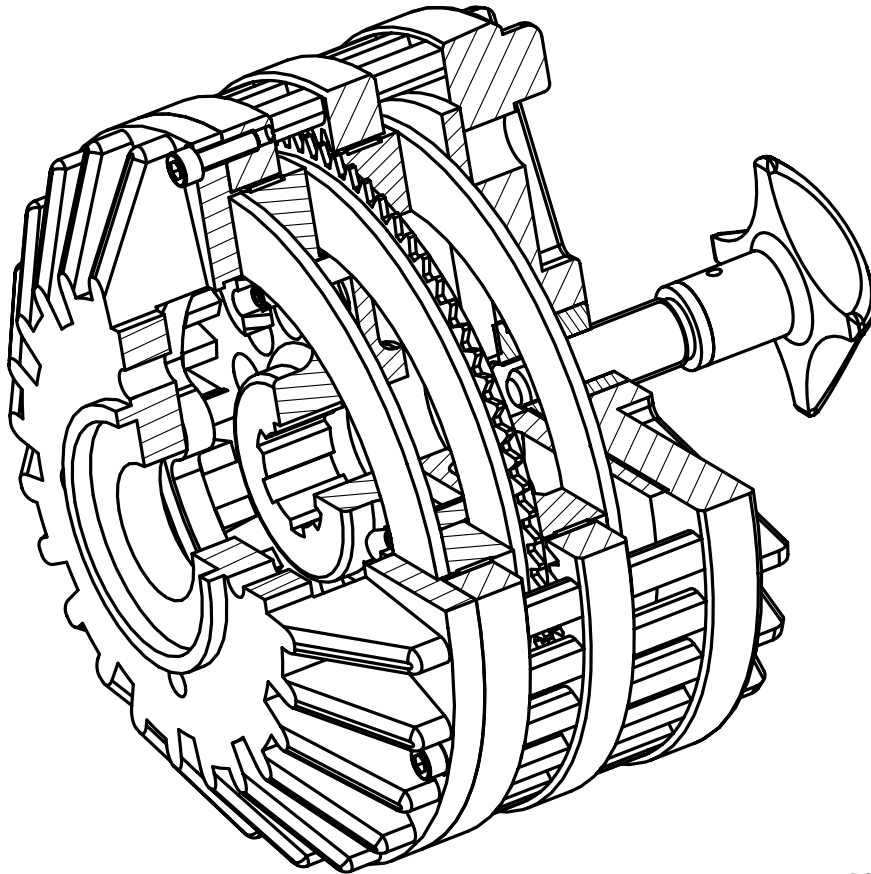


DSB membrane I



DSB membrane II





flange disc type 30-40/40-50 BNR 18610001
type 50-80 BNR 18610011

brake lining $\varnothing 180 \times \varnothing 130 \times 4$ BNR 18610009

driving disc BNR 18610004

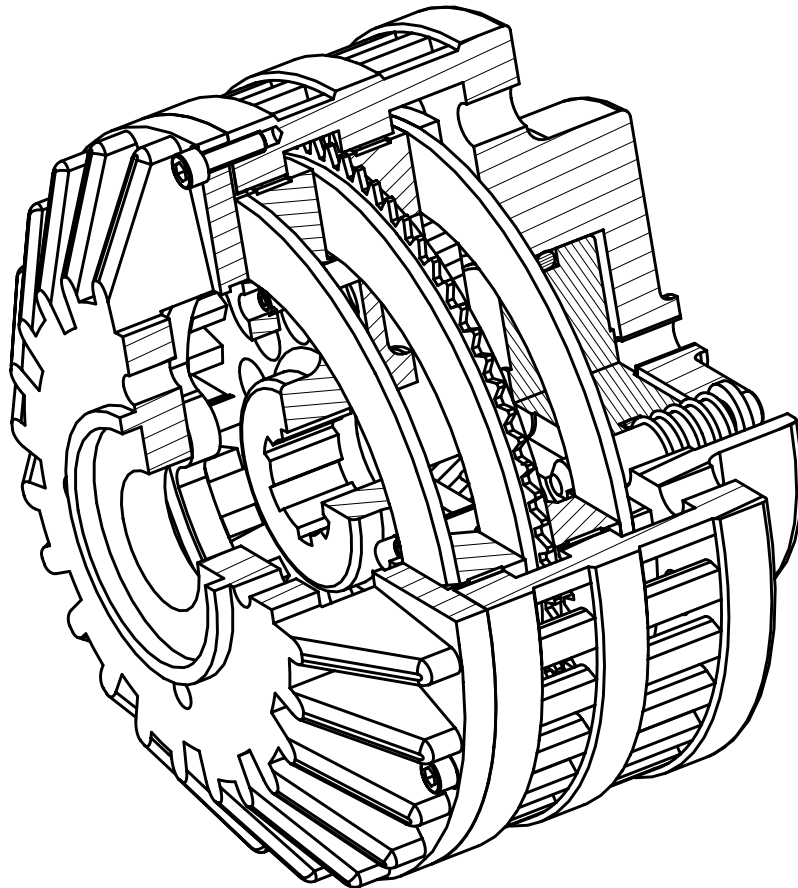
brake lining, cut geared BNR 18610008

intermediate disc BNR 18610005

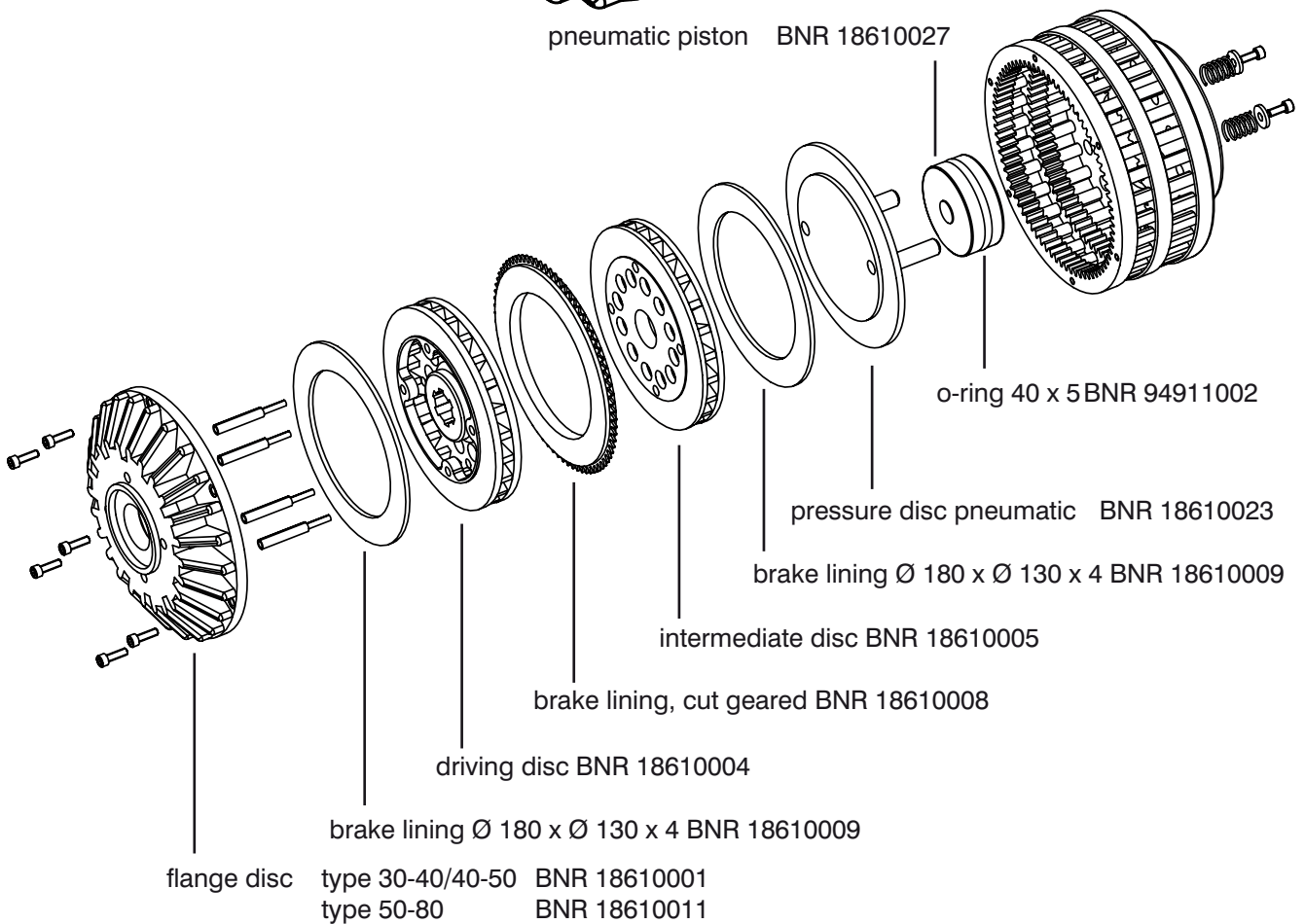
brake lining $\varnothing 180 \times \varnothing 130 \times 4$ BNR 18610009

pressure disc manual BNR 18610003

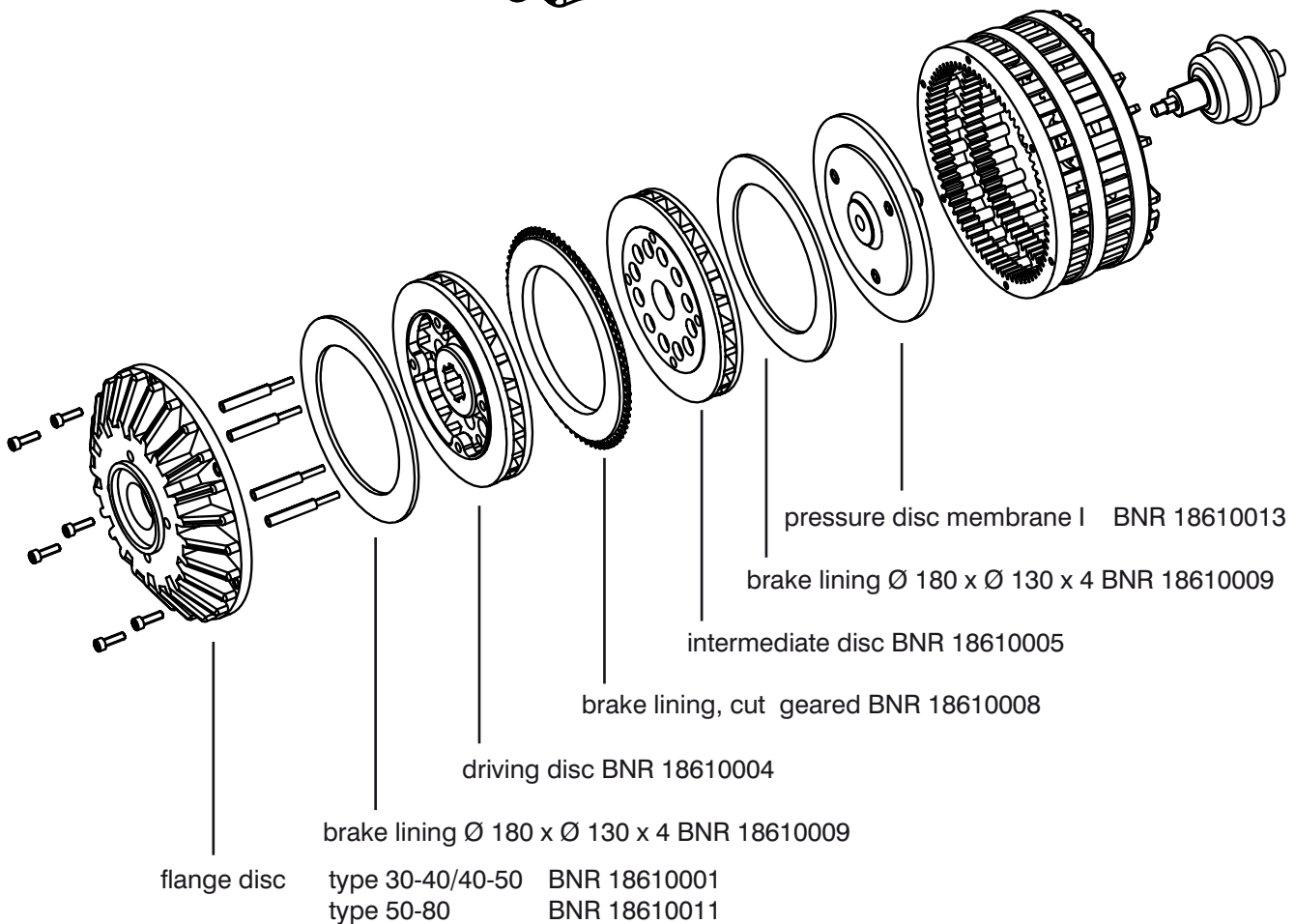
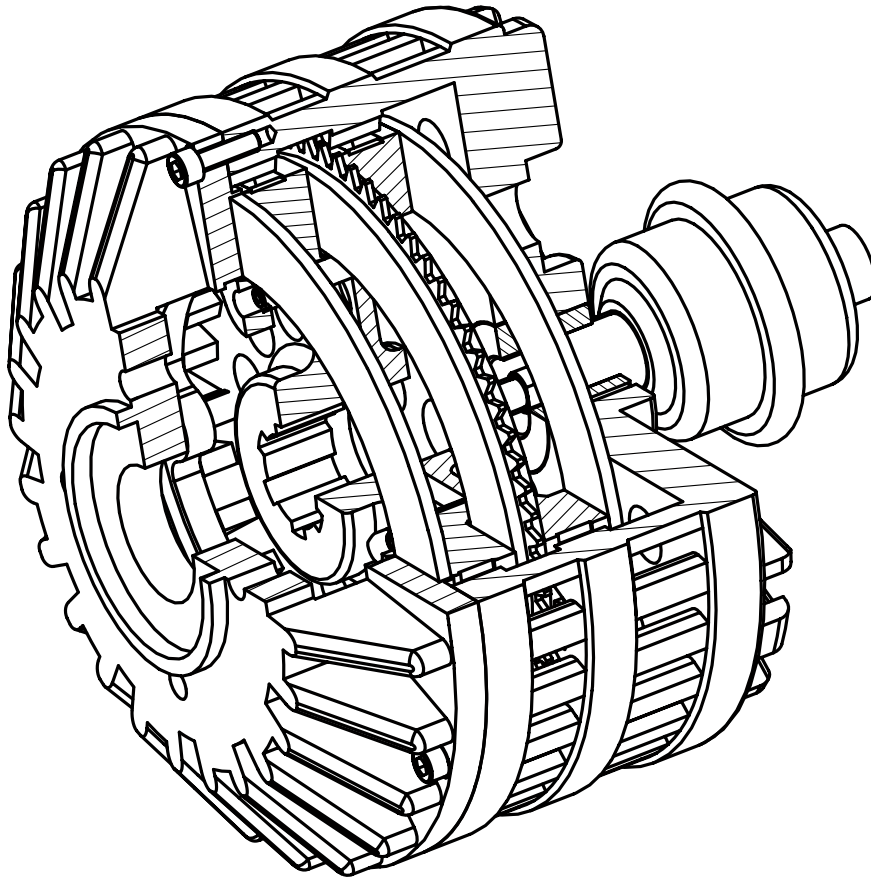
DSB pneumatic wearing-parts



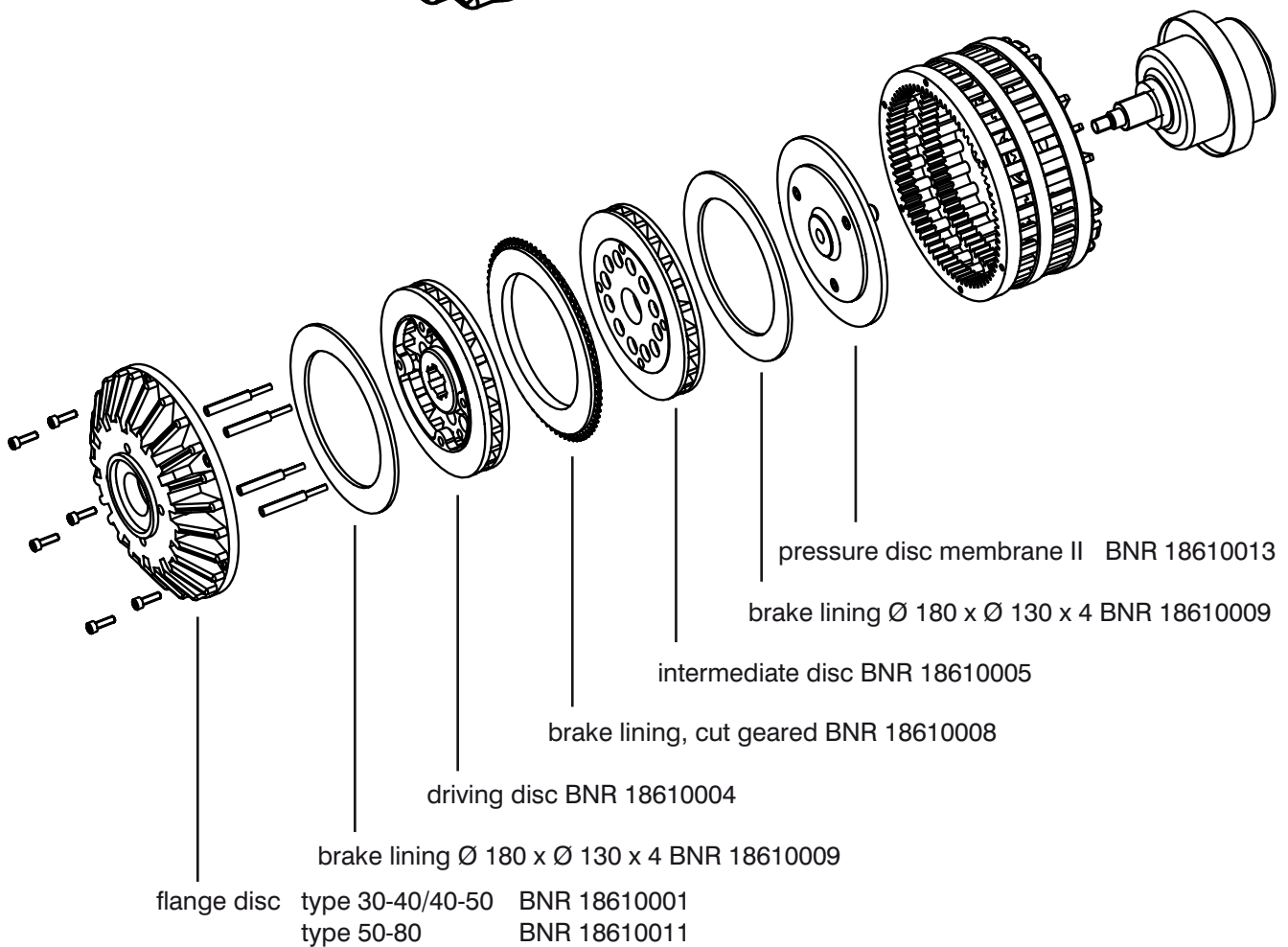
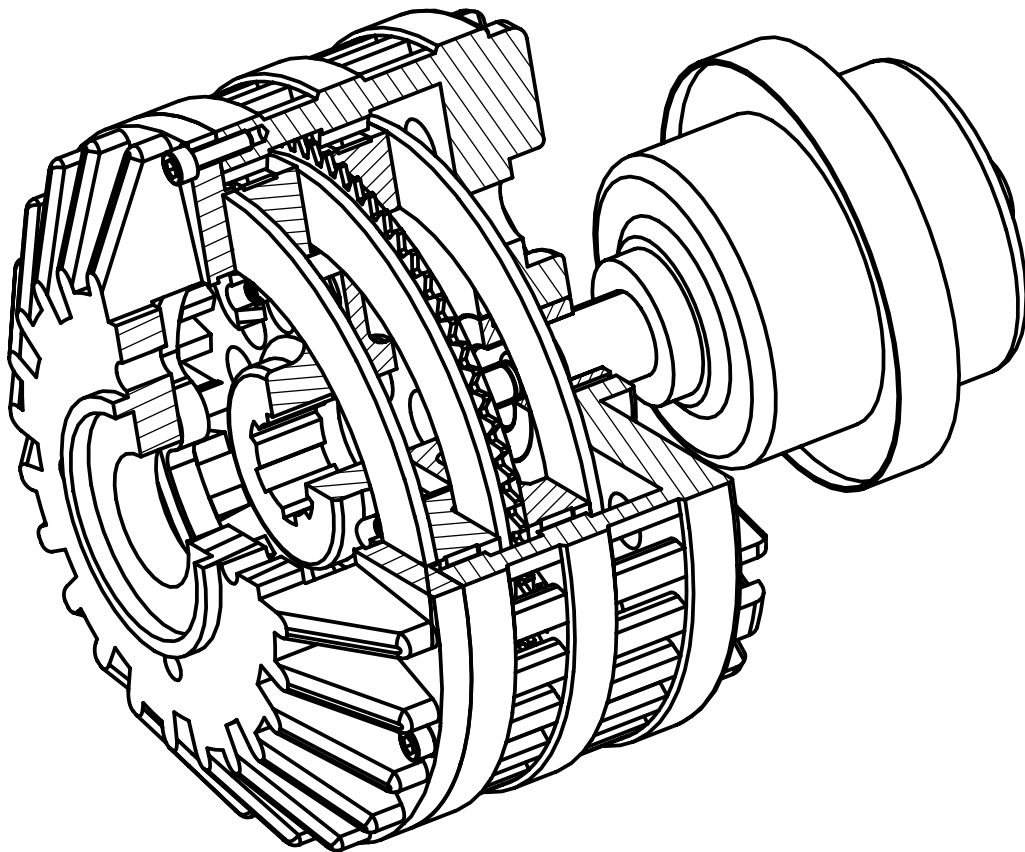
pneumatic piston BNR 18610027



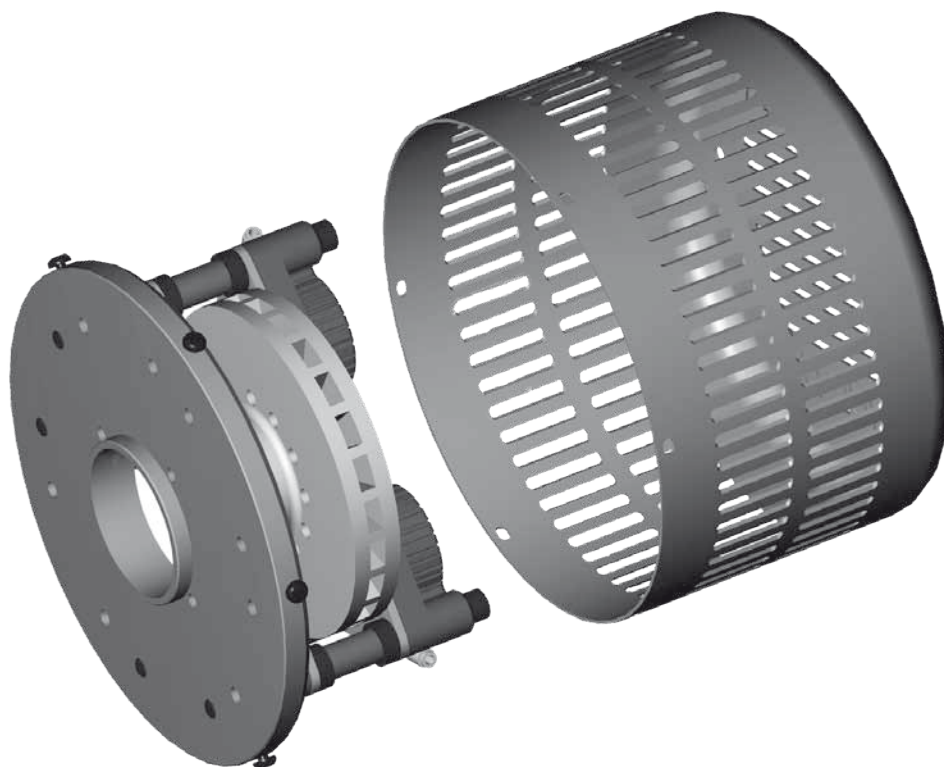
DSB membrane cylinder I wearing-parts



DSB membrane cylinder II wearing-parts



6.70 MULTI
type 500 / 1500 / 3000

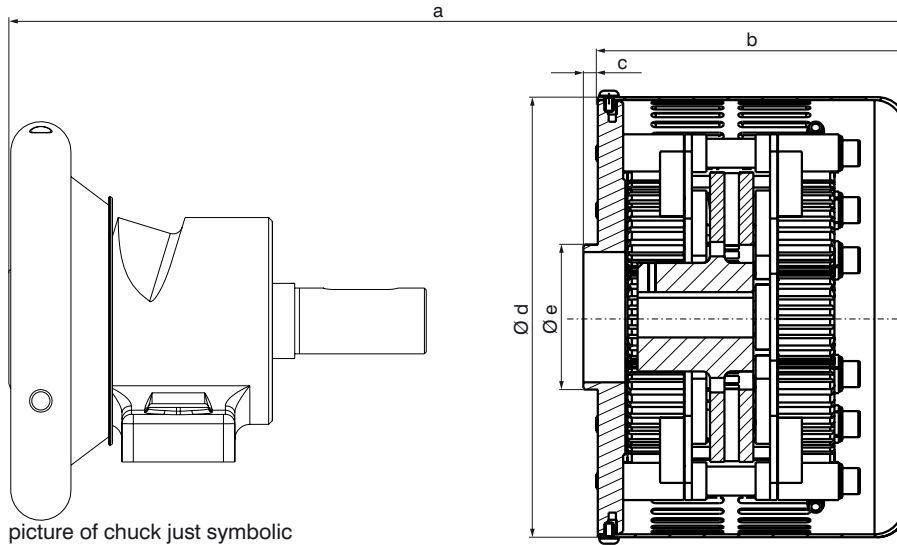


Multi pneum. disc-brake
in variable modular-design construction

	MULTI		
	500	1500	3000
type 22-30 - 50-80			
performance kW (h.p.)	0.5 (0.067)	1.5 (2.012)	3.0 (4.023)
brake torque Nm (ft/lb) per calliper	50 (36.9)	80 (59)	120 (88.5)
max. callipers	6	8	10
brake torque with max. no. of callipers Nm (ft/lb)	300 (221.3)	640 (472)	1200 (885.1)

All data is on a basis of 5 bar (72.5 psi) pressure.

Safety Chuck with MULTI



picture of chuck just symbolic

Multi 500

	a	b	c	d	e -0.1 / -0.2
Safety Chuck 22-30 + Multi	323	200	2	304	62
Safety Chuck 30-40 + Multi	340	200	5	304	80
Safety Chuck 40-50 + Multi	391	200	7.5	304	100
Safety Chuck 50-80 + Multi	460	200	7.5	304	140

Multi 1500

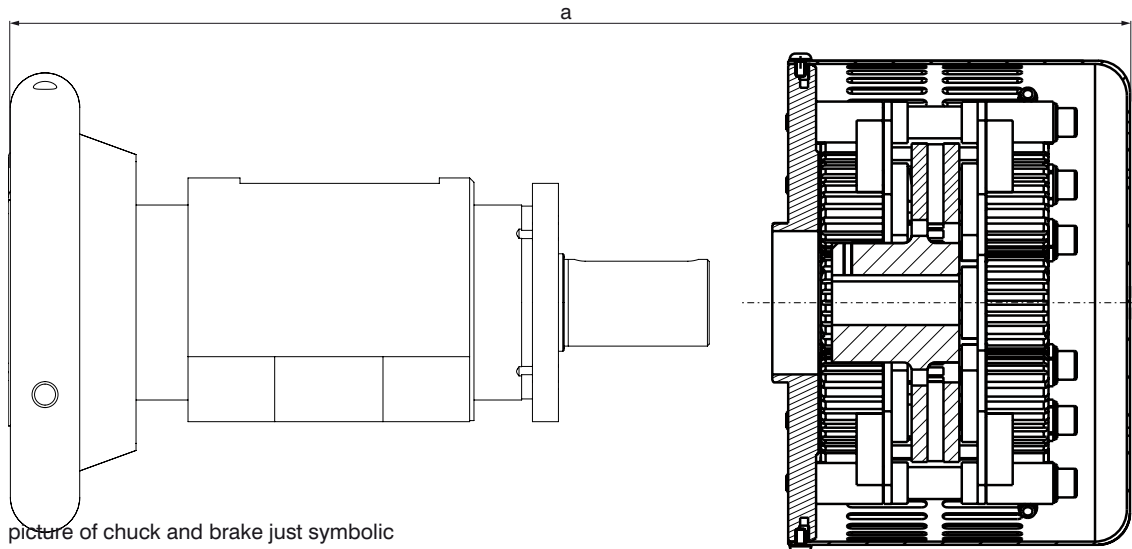
	a	b	c	d	e -0.1 / -0.2
Safety Chuck 22-30 + Multi	323	200	2	404	62
Safety Chuck 30-40 + Multi	340	200	5	404	80
Safety Chuck 40-50 + Multi	391	200	7.5	404	100
Safety Chuck 50-80 + Multi	460	200	7.5	404	140

Multi 3000

	a	b	c	d	e -0.1 / -0.2
Safety Chuck 22-30 + Multi	373	250	2	504	62
Safety Chuck 30-40 + Multi	390	250	5	504	80
Safety Chuck 40-50 + Multi	440	250	7.5	504	100
Safety Chuck 50-80 + Multi	510	250	7.5	504	140

Dimension schedule for Boschert-Chuck see chapter 2.20 - 2.40

Overall dimension MULTI with Sliding-, A- and P-Chuck



picture of chuck and brake just symbolic

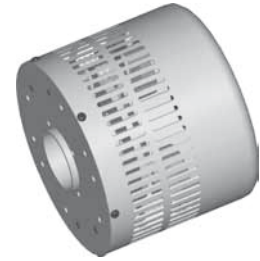
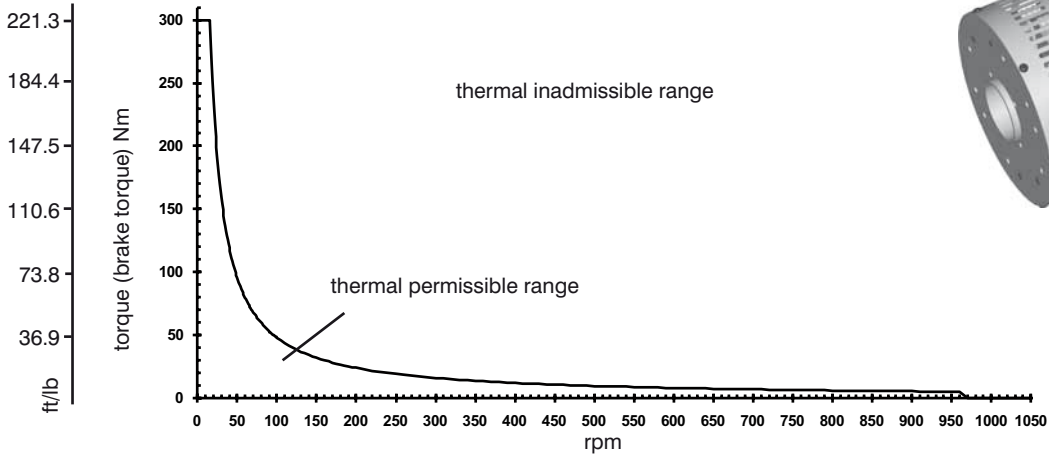
overall dimension „a“
for Boschert Sliding-Chuck (flange- and foot mounted chuck)

	Multi			chuck dim. on pag
	500	1500	3000	
brake dim. on page	6.71	6.71	6.71	
Sliding-Chuck				
22-30				
50 mm adjustment	451	451	501	3.03 - 3.06
100 mm adjustment	551	551	601	3.03 - 3.06
30-40				
50 mm adjustment	454	454	504	3.03 - 3.06
100 mm adjustment	554	554	604	3.03 - 3.06
40-50				
50 mm adjustment	460	460	510	3.03 - 3.06
100 mm adjustment	560	560	610	3.03 - 3.06
A Chuck				
A40	340	340	390	4.21 - 4.22
A50	391	391	441	4.31 - 4.32
A80	469	469	519	4.41 - 4.42
P Chuck				
P40	408	408	458	4.61 - 4.62
P50	445	445	495	4.71 - 4.72

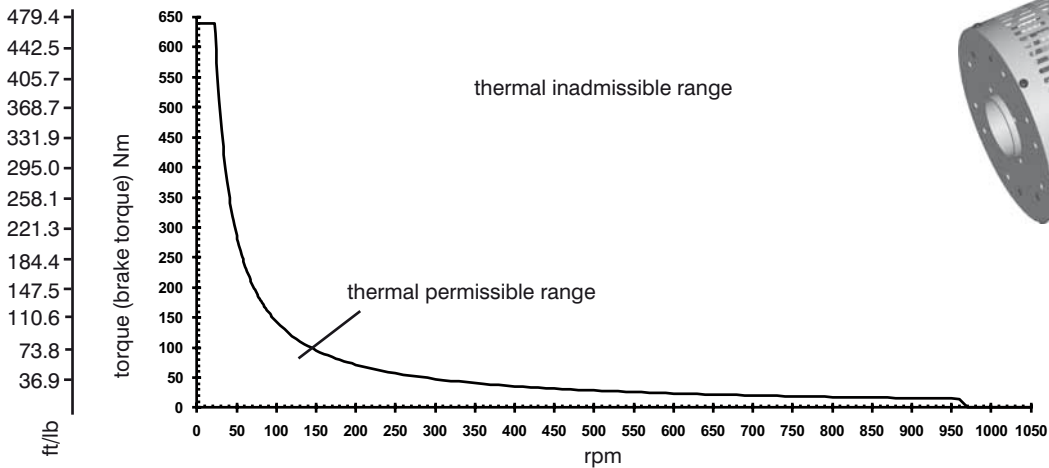
Multi performance diagrams type 500 / 1500 / 3000



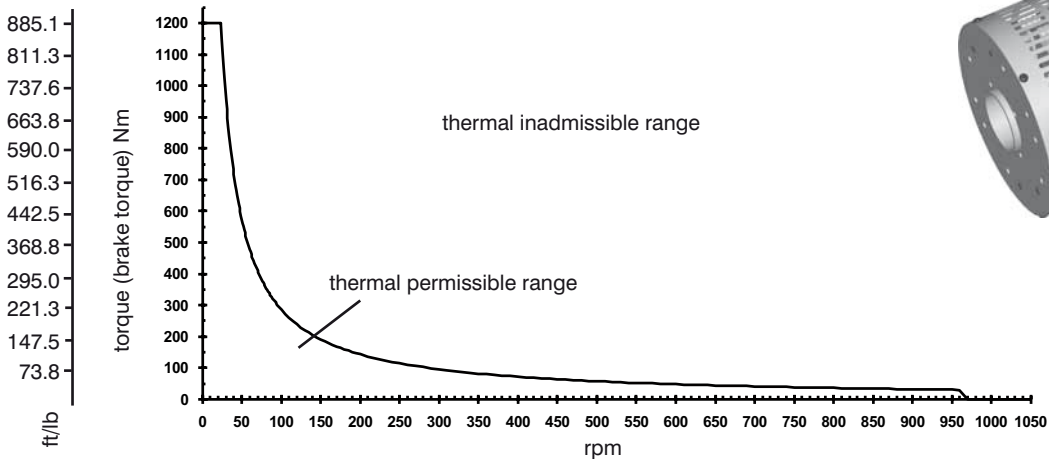
Multi 500



Multi 1500



Multi 3000



1 Nm = 0.7376 ft/lb

6.73

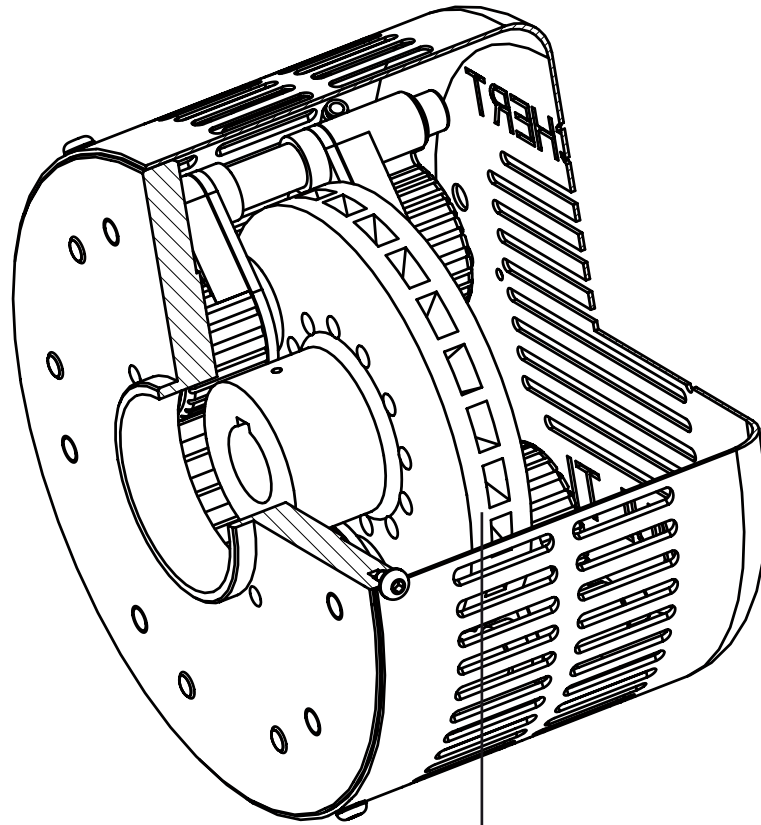
Mattenstrasse 1
D-79541 Loerrach-Hauingen

infokl@boschert.de
www.boschert.de

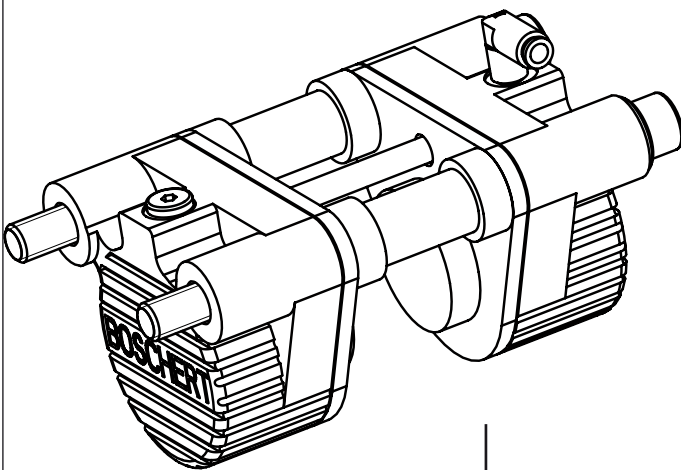
Tel.: +49 (0) 7621 / 9593 0
Fax: +49 (0) 7621 / 5518 4

Changes reserved (a)

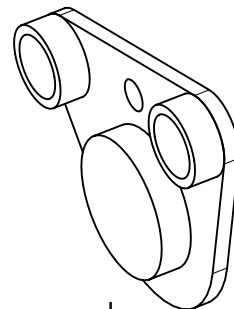
MULTI wearing-parts



brake disc
Please note on your order:
- size of Safety Chuck
- size of brake



calliper BNR 18500002



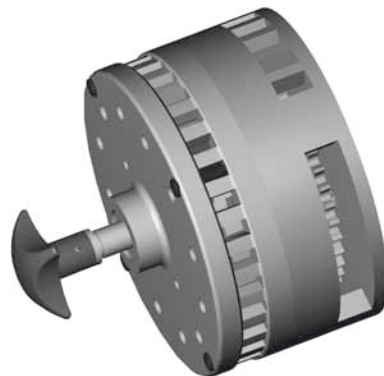
brake lining BNR 18500005-1

1 set brake linings = 2 pieces

7.0 Clutch schedule



	Clutch			Info
	manual	pneumatic	membrane I	
Type Mini				7.00
friction performance kW (h.p.)	0,1	0,1	0,1	
max. friction torque Nm (ft/lb)	30	30	30	



	clutch			Info
	manual	pneumatic	membrane I	
Type 22-30 to 40-50				7.20
friction performance kW (h.p.)	0,2	0,2	0,2	
max. friction torque Nm (ft/lb)	50	50	50	

**7.00 Clutch
type mini**



Clutch manual



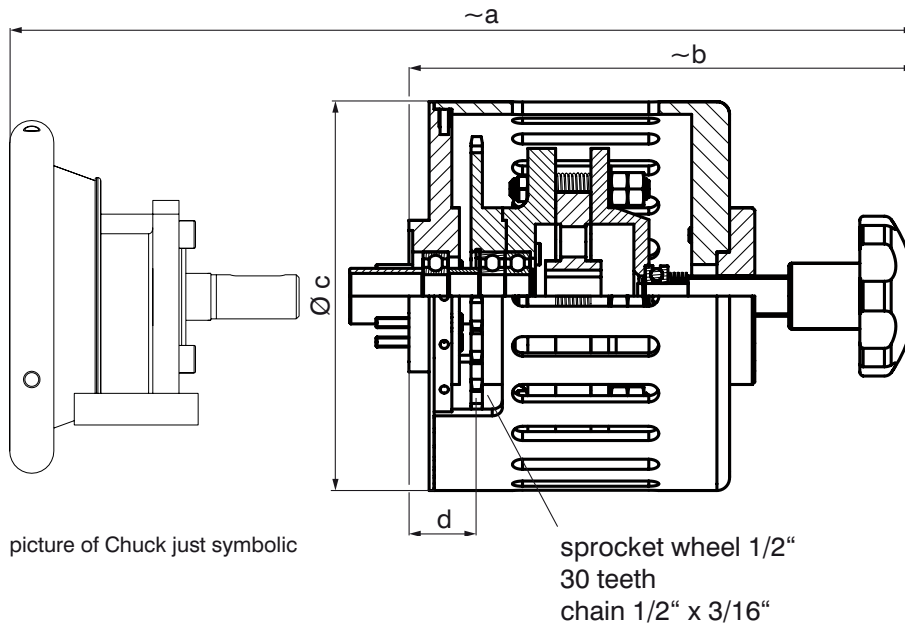
Clutch pneumatic



Clutch with membrane cylinder I

	Clutch		
	manual	pneumatic	membrane I
type mini			
friction performance kW (h.p.)	0.1 (0.134)	0.1 (0.134)	0.1 (0.134)
max. friction torque Nm (ft/lb)	30 (22.1)	30 (22.1)	30 (22.1)

Safety Chuck with clutch manual



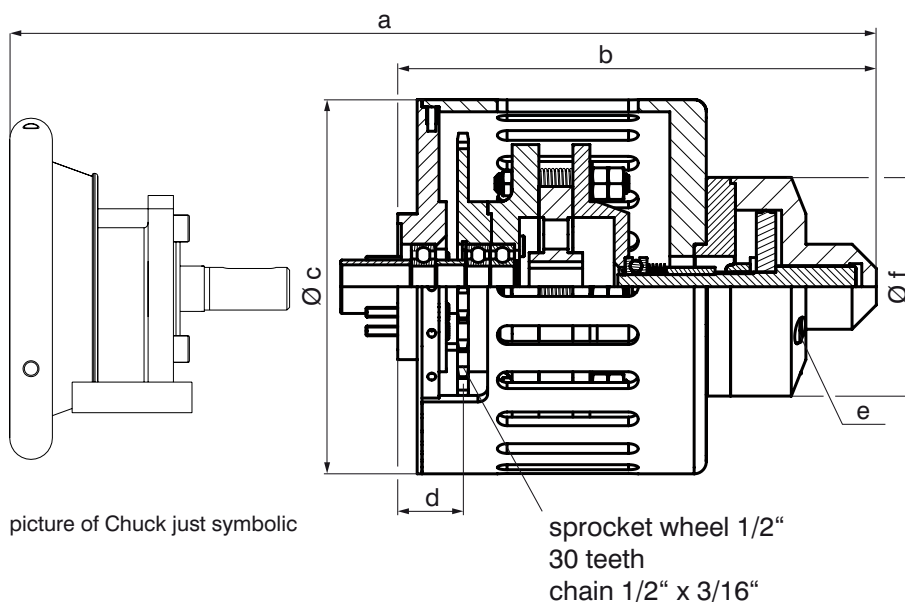
picture of Chuck just symbolic

sprocket wheel 1/2"
30 teeth
chain 1/2" x 3/16"

	a	b	c	d
Safety Chuck Mini + Clutch manual	264	200	162	32.5

Dimension schedule for Boschert-Chuck see chapter 2.00

Safety Chuck with clutch pneumatic



picture of Chuck just symbolic

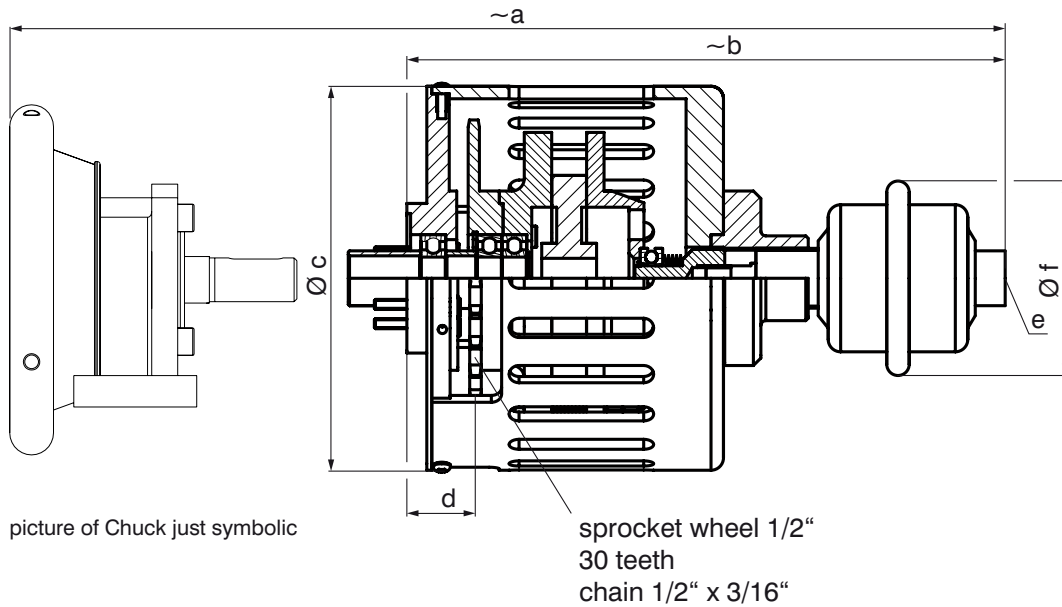
sprocket wheel 1/2"
30 teeth
chain 1/2" x 3/16"

	a	b	c	d	e	f
Safety Chuck Mini + Clutch pneumatic	261	197	162	32,5	G 1/8	80

Dimension schedule for Boschert-Chuck see chapter 2.00

Clutch mini and membrane cylinder I

Safety Chuck with clutch and membrane cylinder I



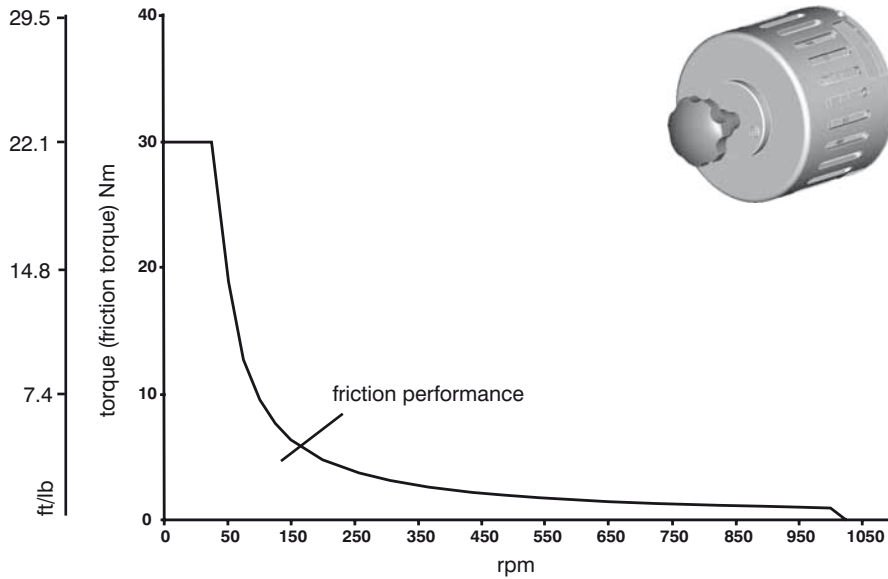
	a	b	c	d	e	f
Safety Chuck Mini + clutch pneumatic	305	240	162	32.5	G 1/4	80

Dimension schedule for Boschert-Chuck see chapter 2.00

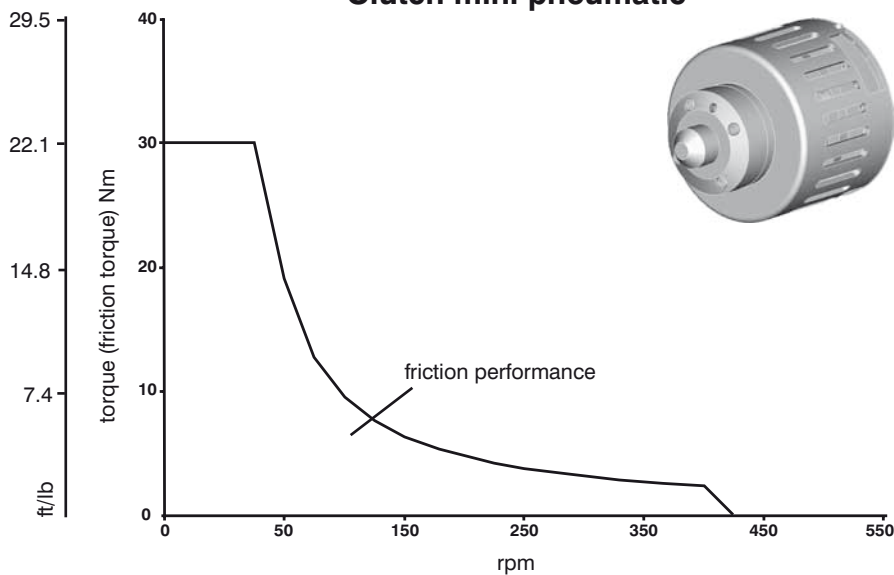
Performance diagrams Clutch mini



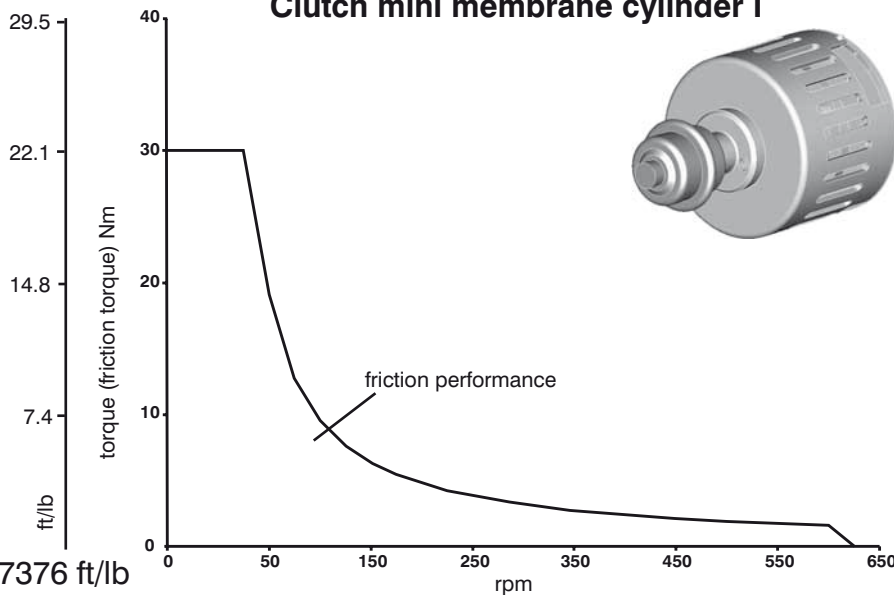
Clutch mini manual



Clutch mini pneumatic



Clutch mini membrane cylinder I



1 Nm = 0.7376 ft/lb

7.03

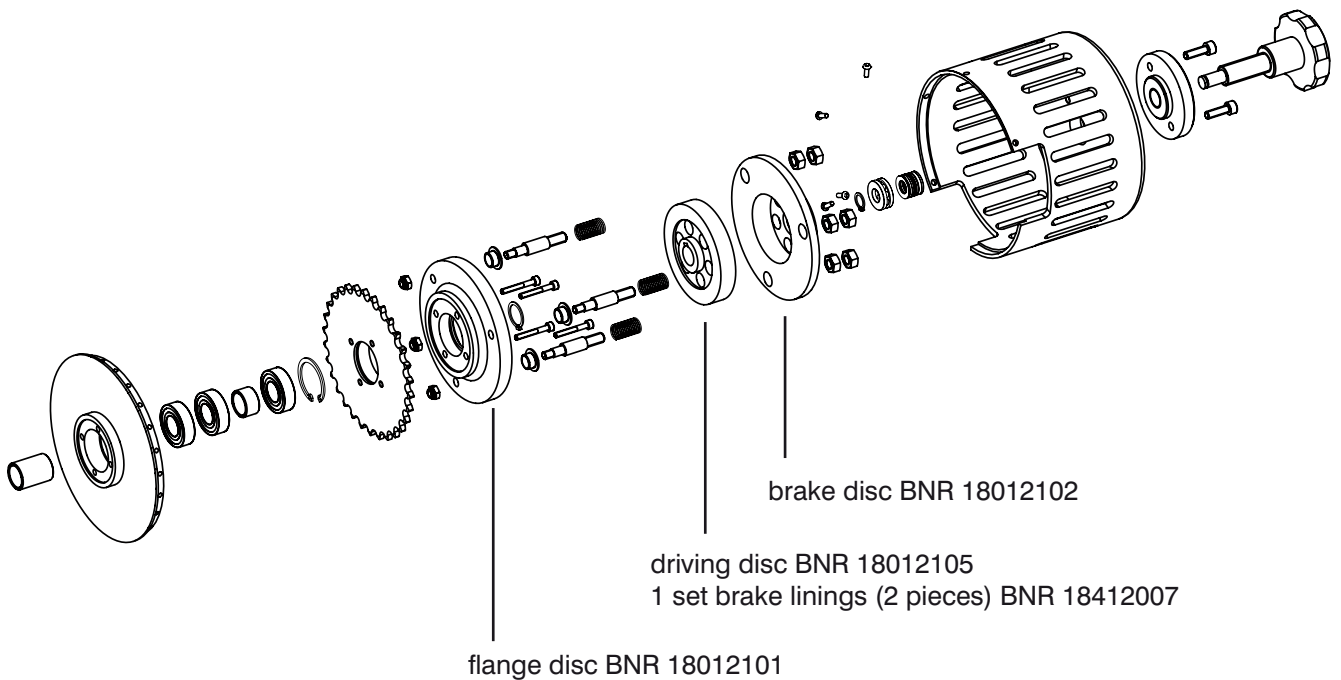
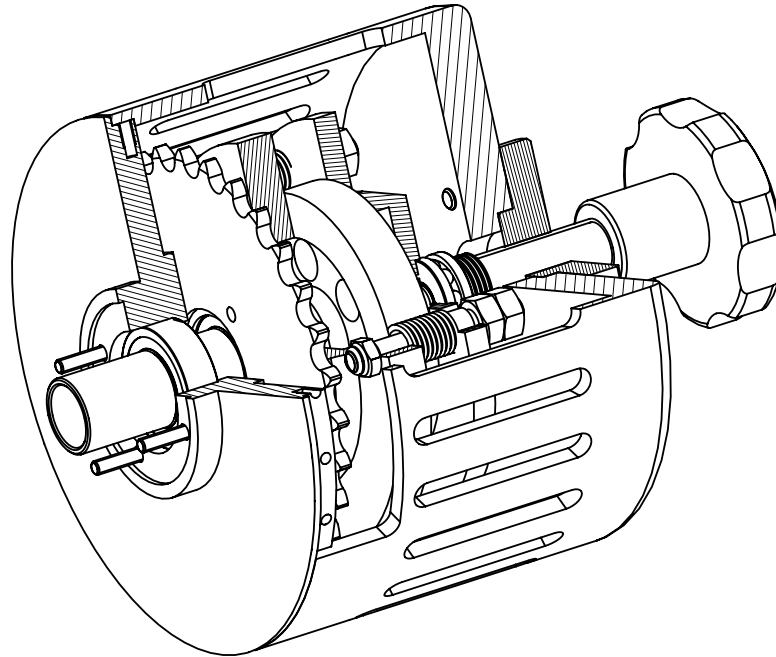
Mattenstrasse 1
D-79541 Loerrach-Hauingen

infokl@boschert.de
www.boschert.de

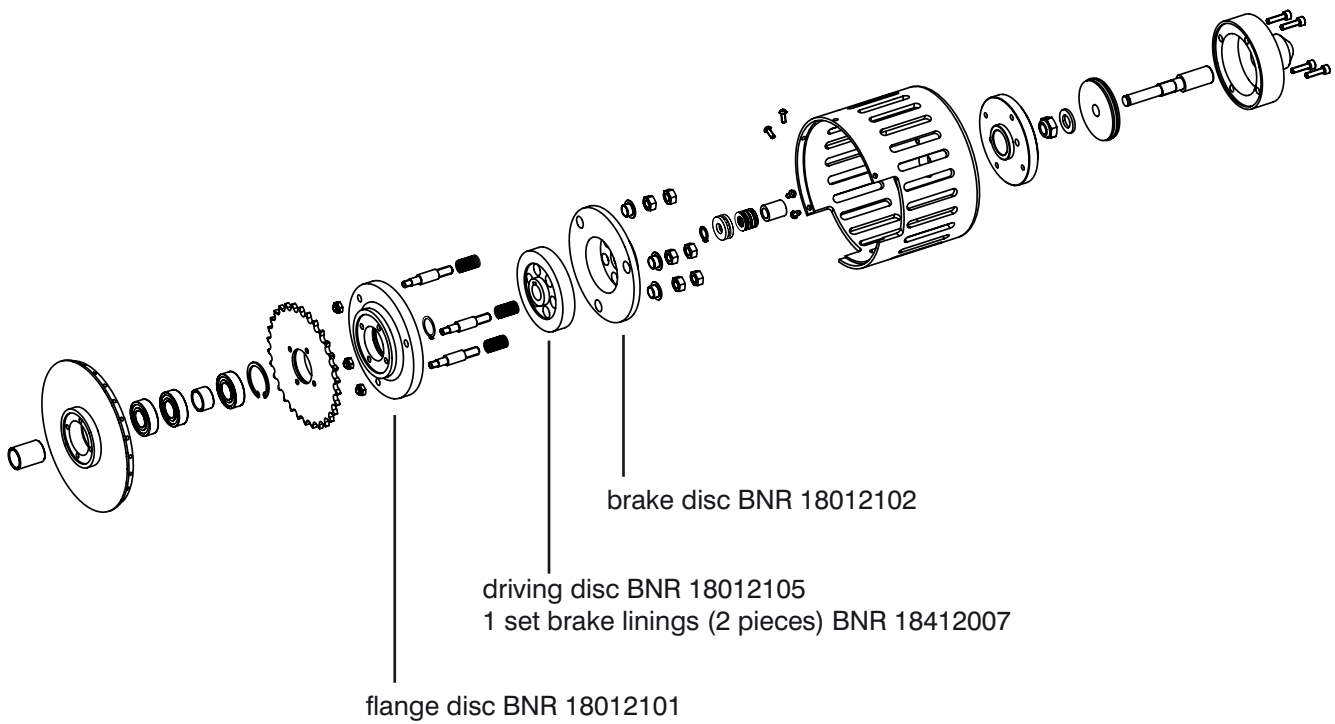
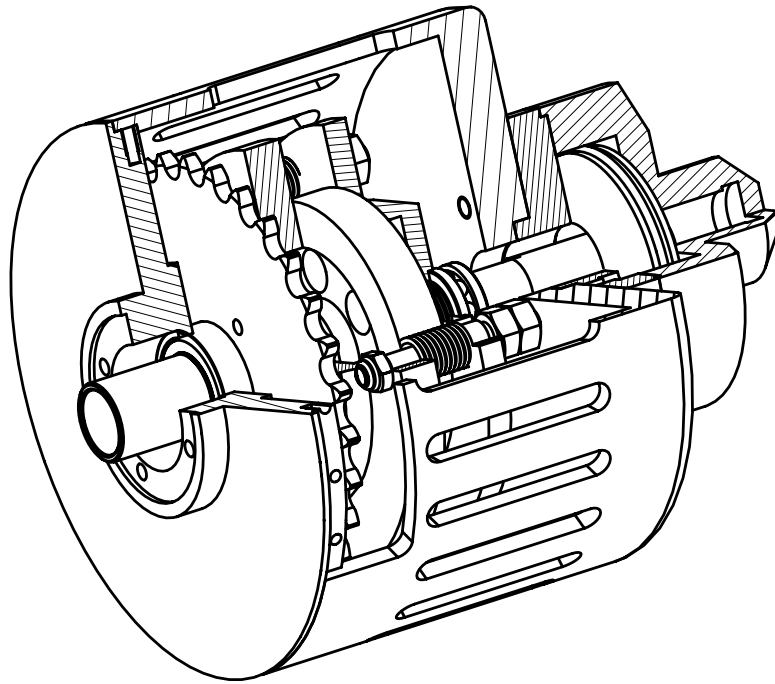
Tel.: +49 (0) 7621 / 9593 0
Fax: +49 (0) 7621 / 5518 4

Changes reserved (a)

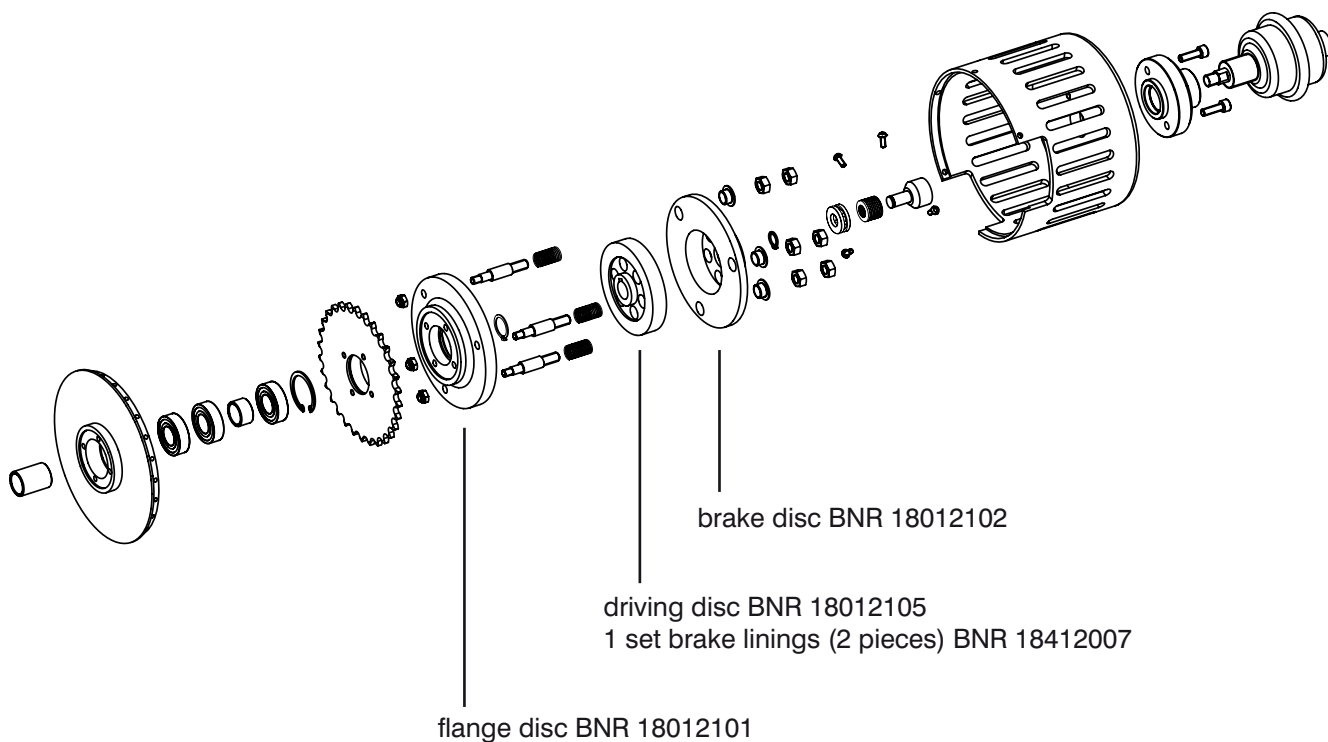
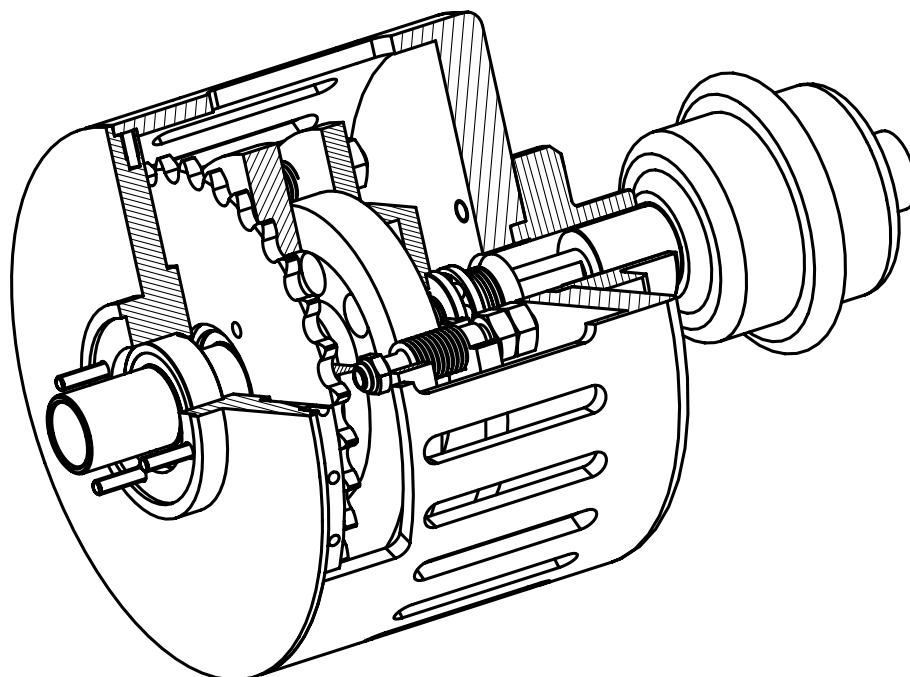
Clutch mini manual wearing-parts



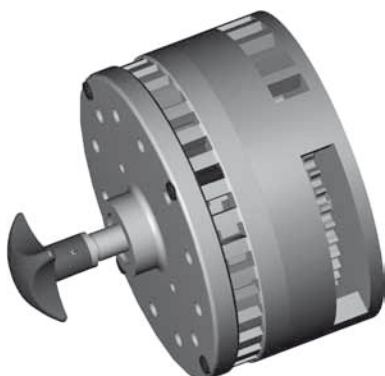
Clutch mini pneumatic wearing-parts



Clutch mini membrane I wearing-parts



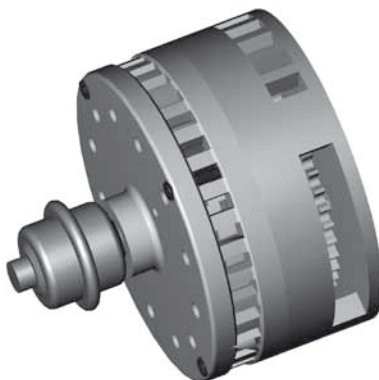
7.20 Clutch
type 22-30 to 40-50



Clutch manual



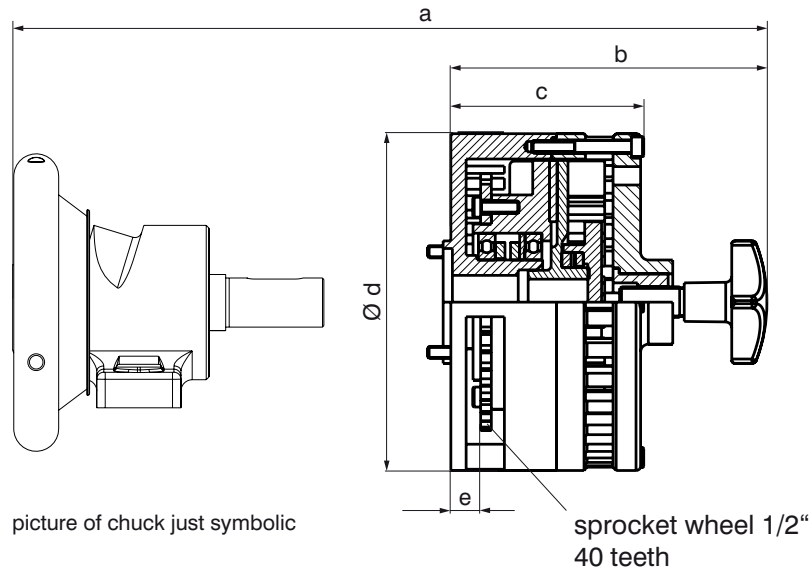
Clutch pneumatic



Clutch with membrane cylinder I

	Clutch		
	manual	pneumatic	membrane I
type 22-30 to 40-50			
friction performance kW (h.p.)	0.2 (0.268)	0.2 (0.268)	0.2 (0.268)
max. friction torque Nm (ft/lb)	50 (36.9)	50 (36.9)	50 (36.9)

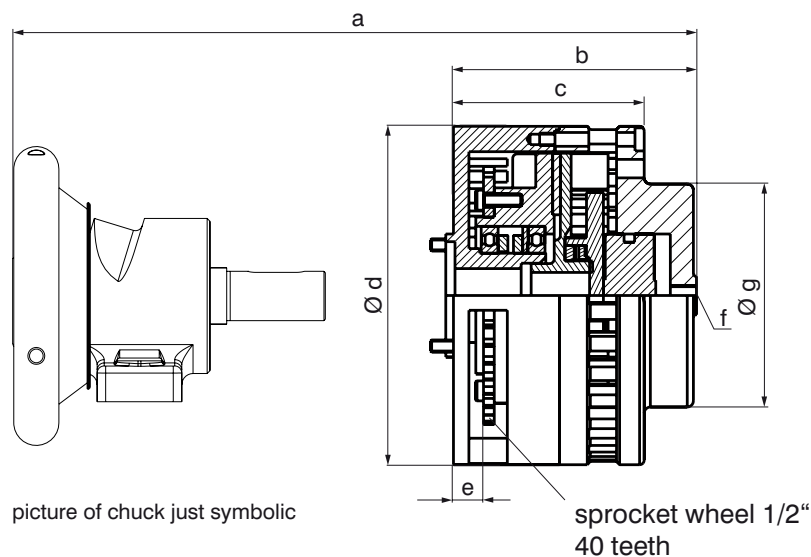
Safety Chuck with clutch manual



	a	b	c	d	e
Safety Chuck 22-30 + clutch manual	344	214	124	220	19
Safety Chuck 30-40 + clutch manual	361	214	124	220	19
Safety Chuck 40-50 + clutch manual	412	214	124	220	19

Dimension schedule for Boschert-Chuck see chapter 2.20 - 2.43

Safety Chuck with clutch pneumatic

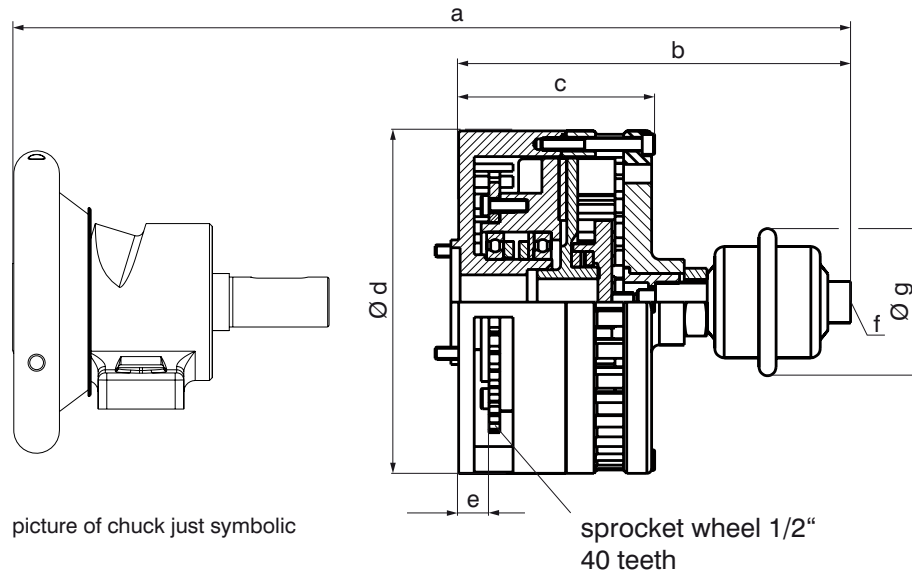


	a	b	c	d	e	f	g
Safety Chuck 22-30 + clutch pneumatic	281	160	124	220	19	G 1/4	145
Safety Chuck 30-40 + clutch pneumatic	298	160	124	220	19	G 1/4	145
Safety Chuck 40-50 + clutch pneumatic	349	160	124	220	19	G 1/4	145

Dimension schedule for Boschert-Chuck see chapter 2.20 - 2.43

Clutch with membrane cylinder I

Safety Chuck with clutch and membrane cylinder I

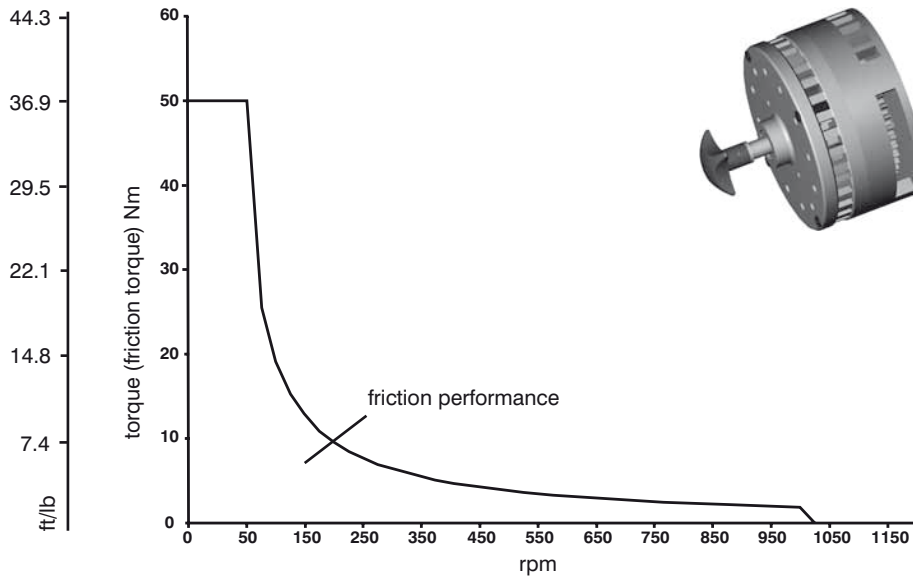


	a	b	c	d	e	f	g
Safety Chuck 22-30 + clutch membrane cylinder I	343	220	124	220	19	G 1/4	80
Safety Chuck 30-40 + clutch membrane cylinder I	360	220	124	220	19	G 1/4	80
Safety Chuck 40-50 + clutch membrane cylinder I	411	220	124	220	19	G 1/4	80

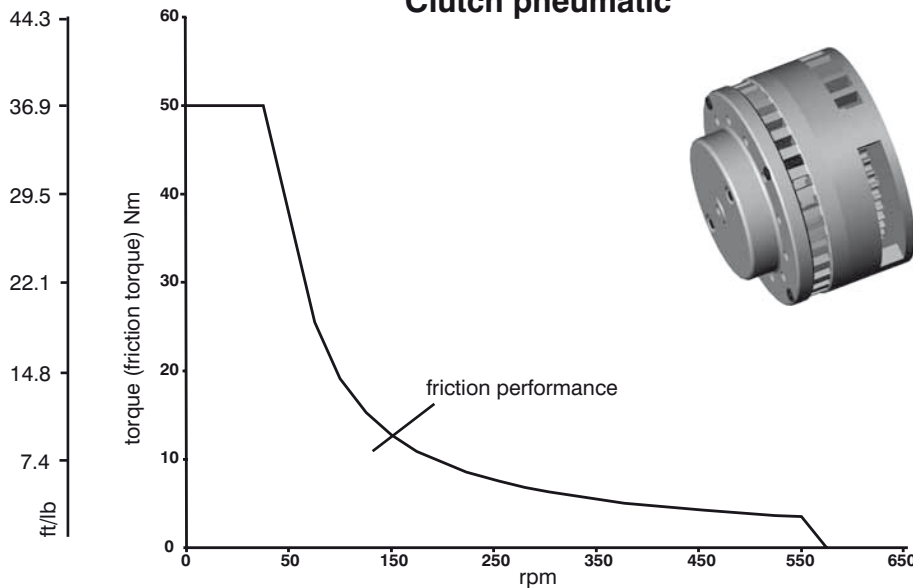
Dimension schedule for Boschert-Chuck see chapter 2.20 - 2.43

Clutch performance diagrams

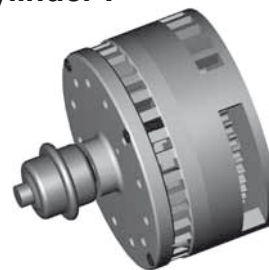
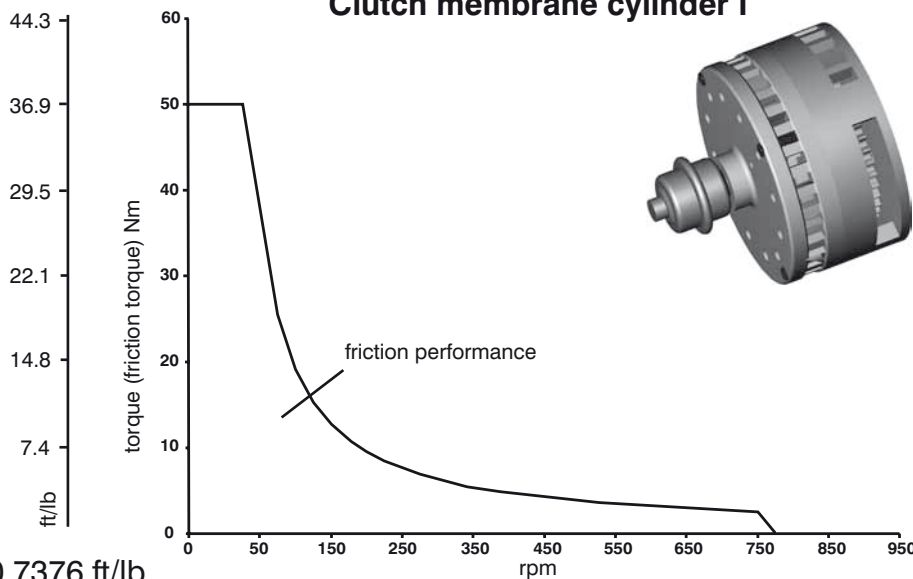
Clutch manual



Clutch pneumatic

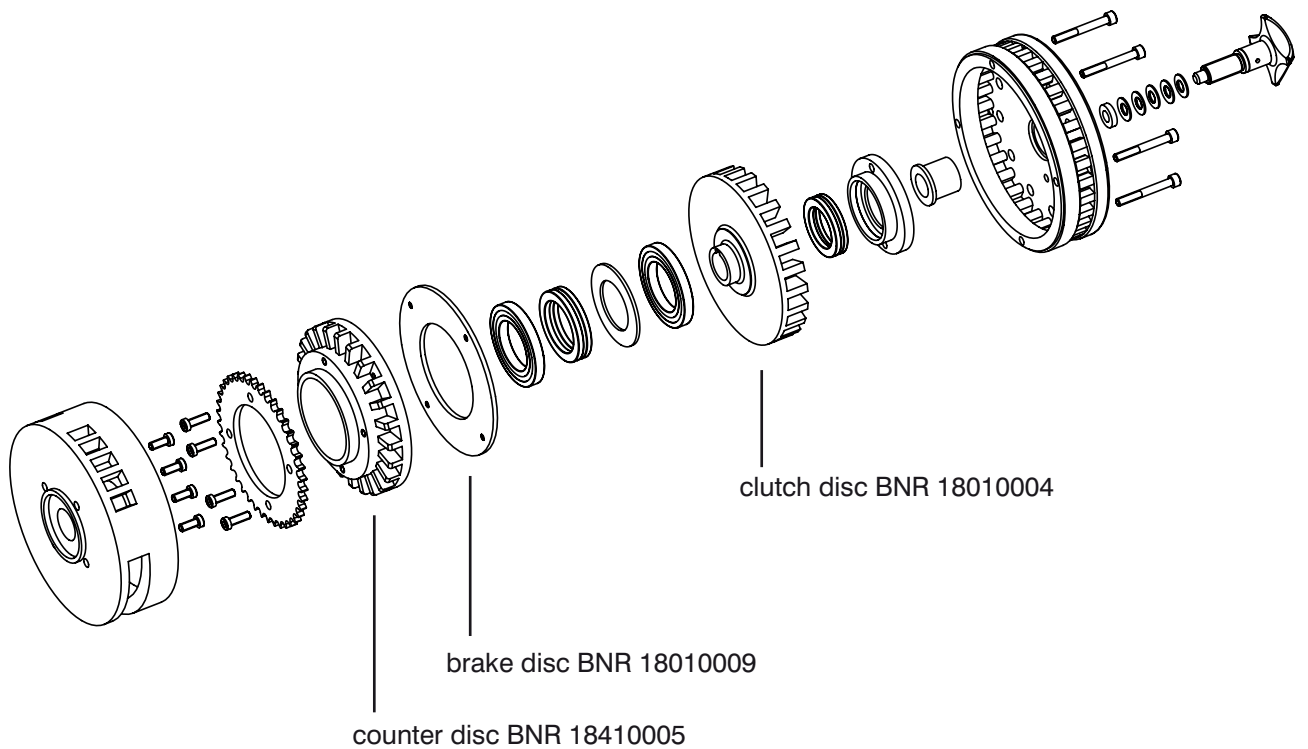
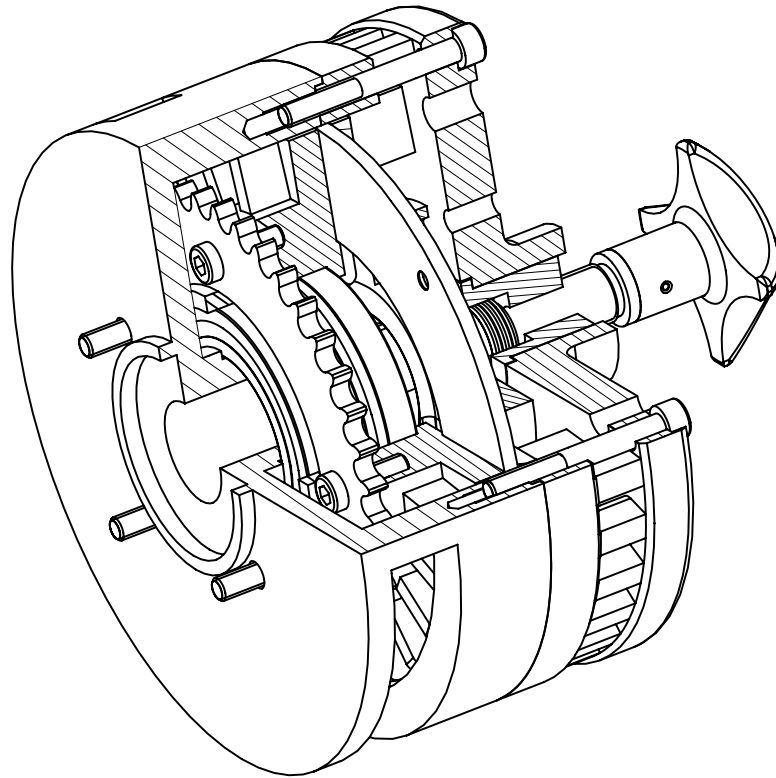


Clutch membrane cylinder I

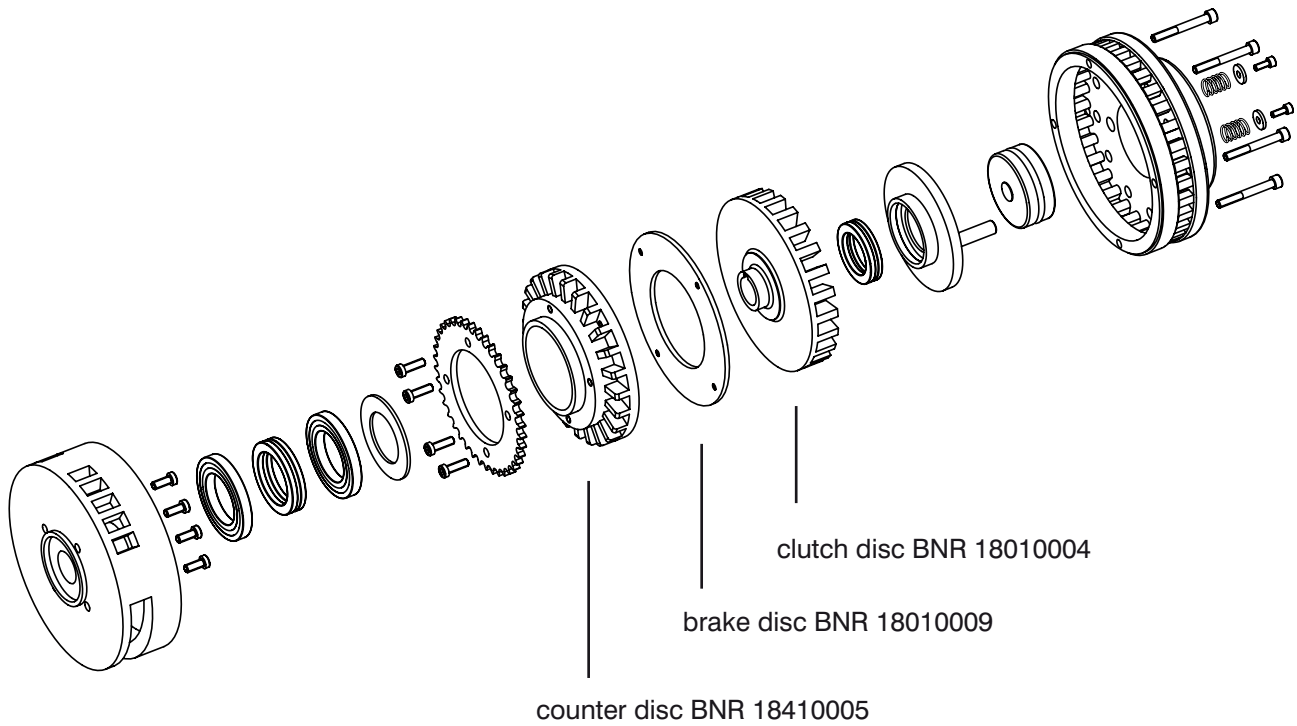
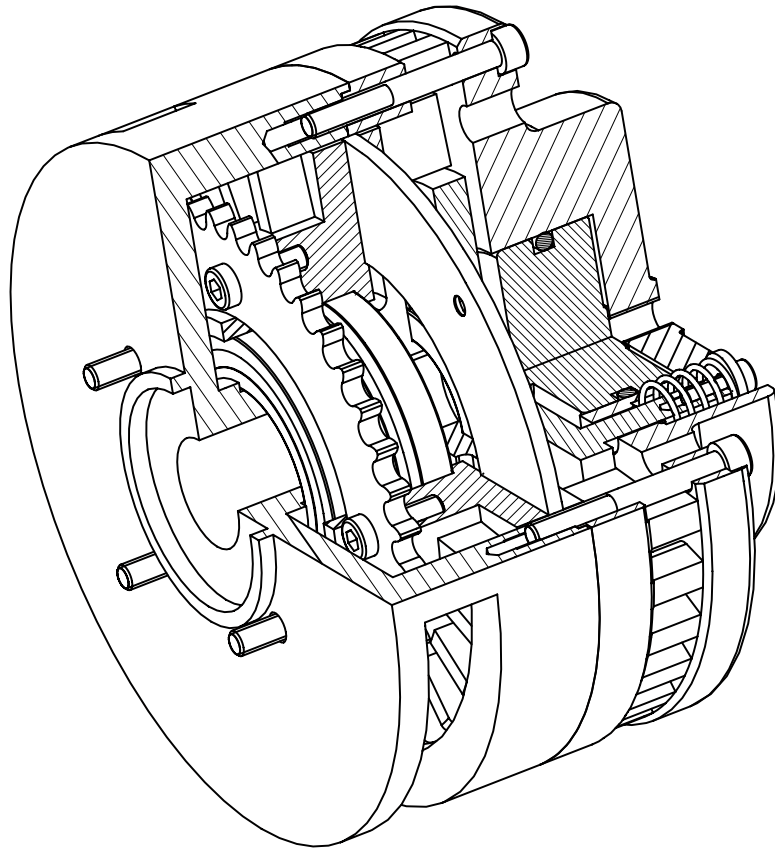


1 Nm = 0.7376 ft/lb

Clutch manual wearing-parts



Clutch pneumatic wearing-parts

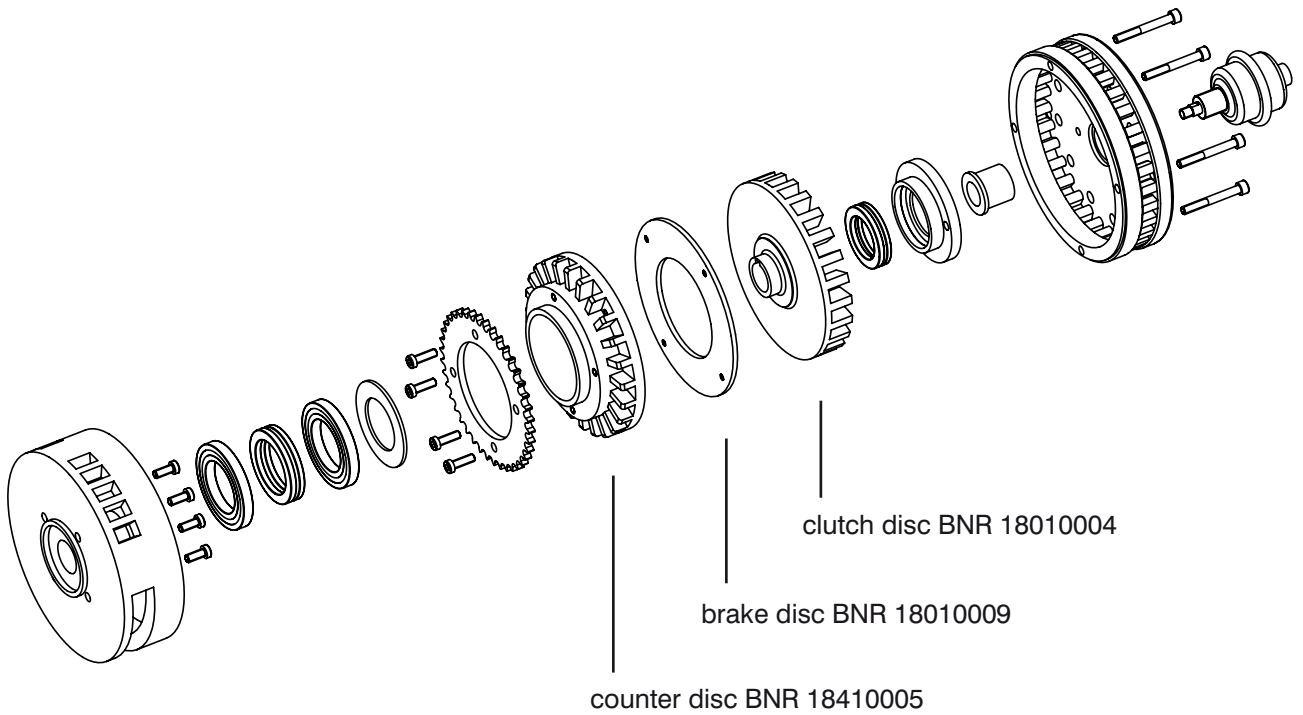
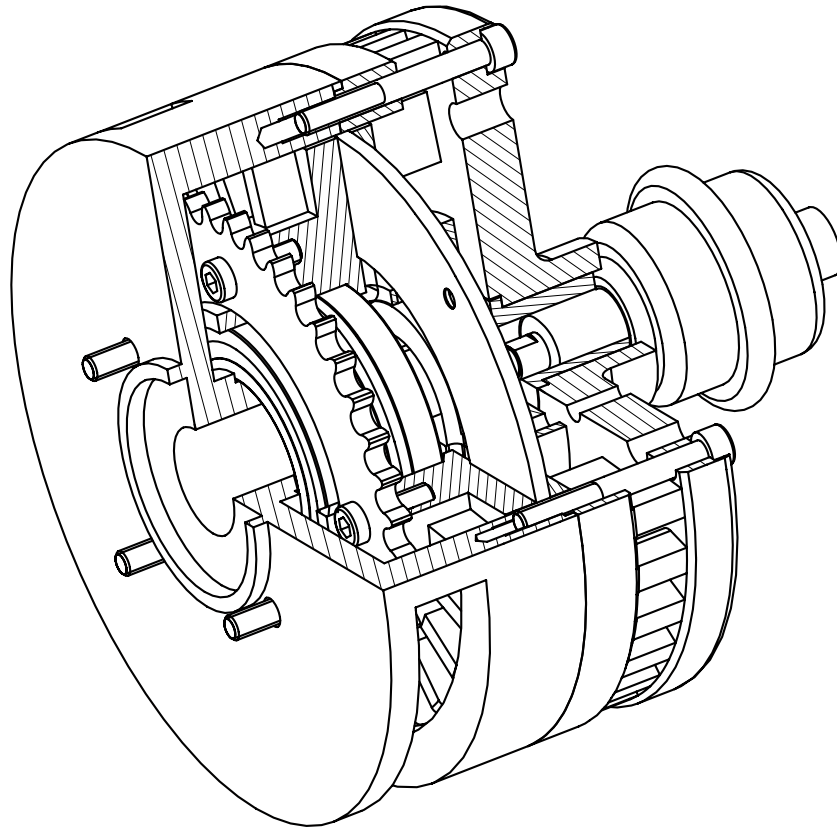


clutch disc BNR 18010004

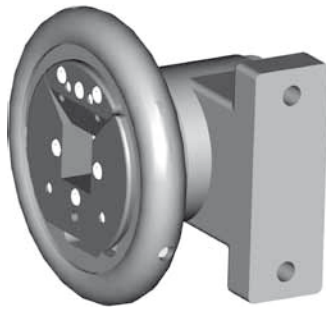
brake disc BNR 18010009

counter disc BNR 18410005

Clutch membrane cylinder I wearing-parts

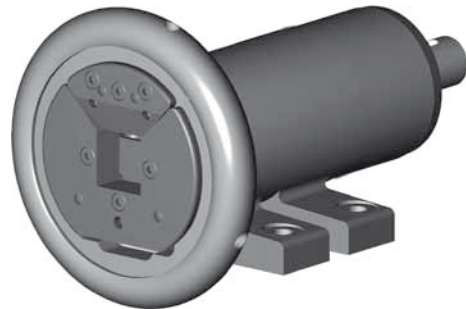


8.00 Overview Options



Foot mounted chucks for 90° mounting

Info: 8.01



Extended Chucks

Info: 8.10

Info: 8.11



Handwheel lock type I

Info: 8.30

Info: 8.31



Handwheel lock type II

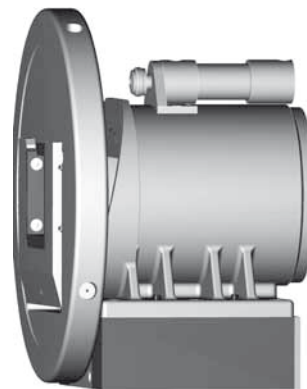
Info: 8.30

Info: 8.31



Automatic and continuous airshaft inflation

Info: 8.41



Hydraulic opening and closing

Info: 8.50



Monitoring: chuck opening positioning

Info: 8.60

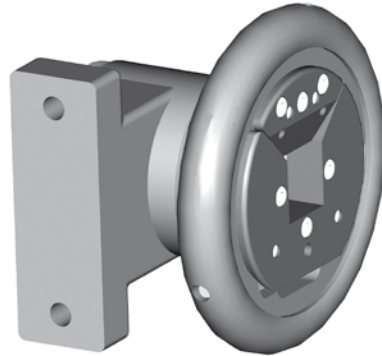


Chuck with handwheel open/close recognition

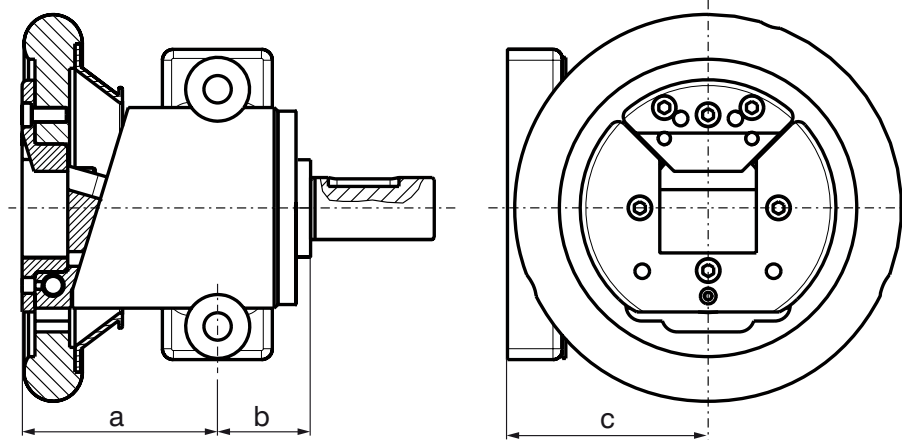
Info: 8.61

8.01 Foot mounted chucks for 90° mounting

Foot mounted chucks to fix at a vertical frame



Type 22-30 / 30-40

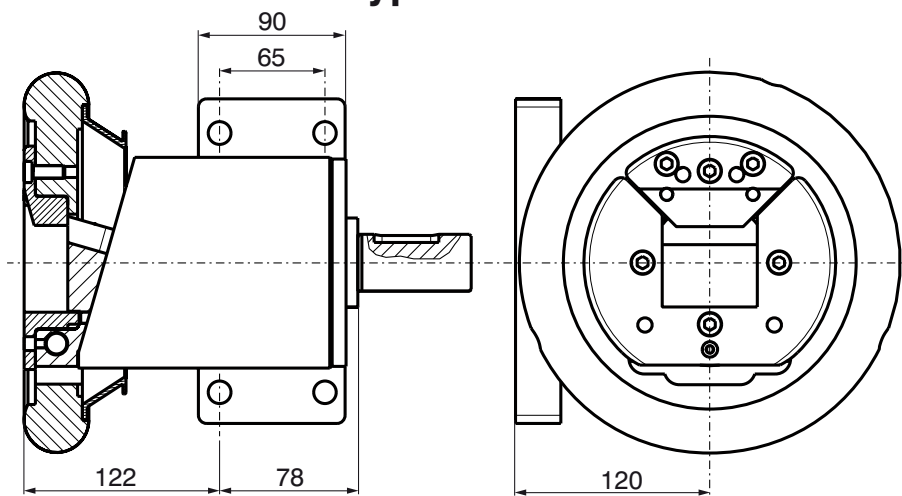


above showed chuck = 90° turned right

	a	b	c
ST 22-30	92	40	85
ST 30-40	107	45	110

Chuck dimensions are different from standard chucks 2.20-2.23 / 2.30-2.33

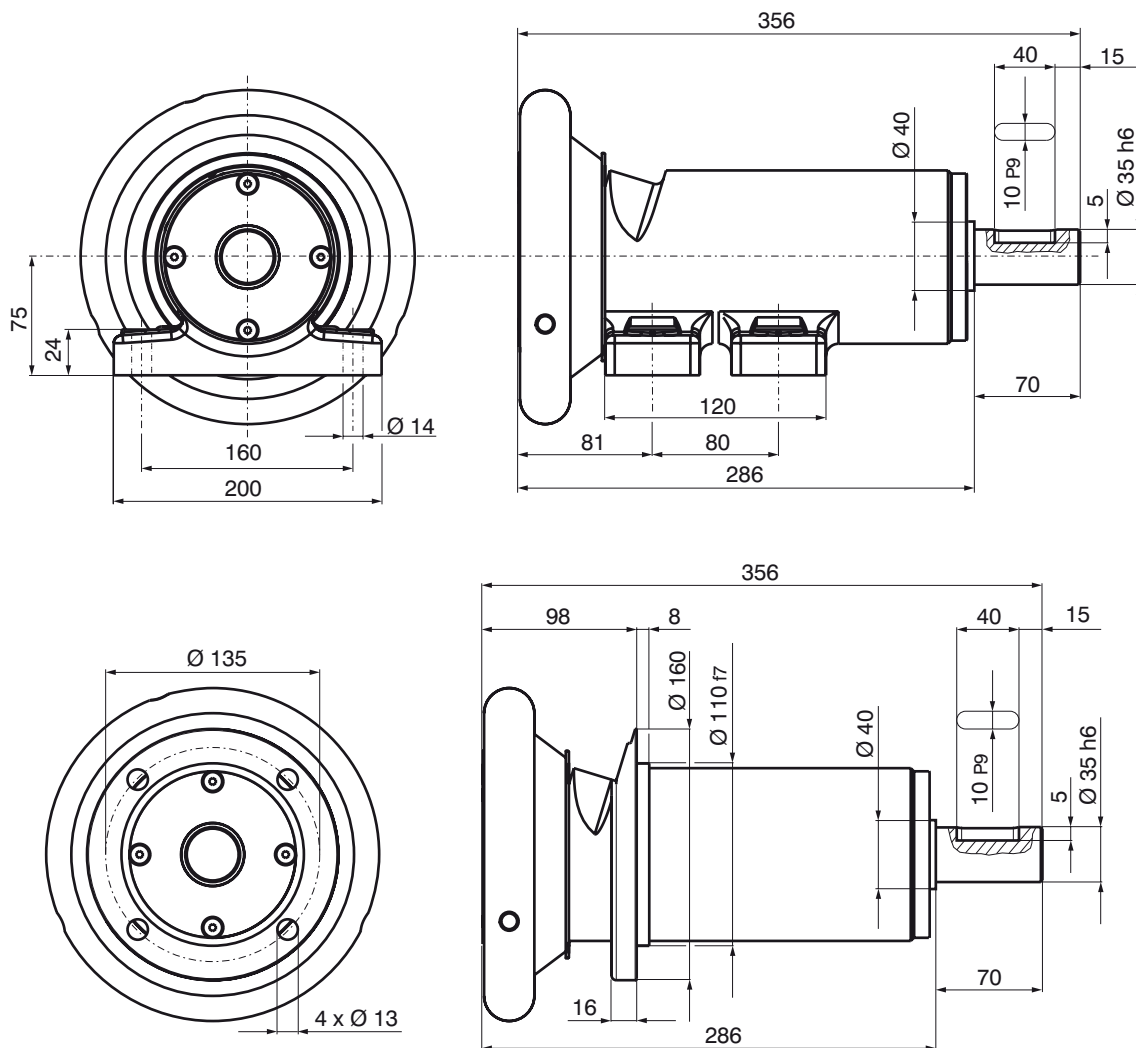
Type 40- 50



above showed chuck = 90° turned right

Chuck dimensions are different from standard chucks 2.40-2.43

Extended Chucks type 30-40 flange and foot mounted



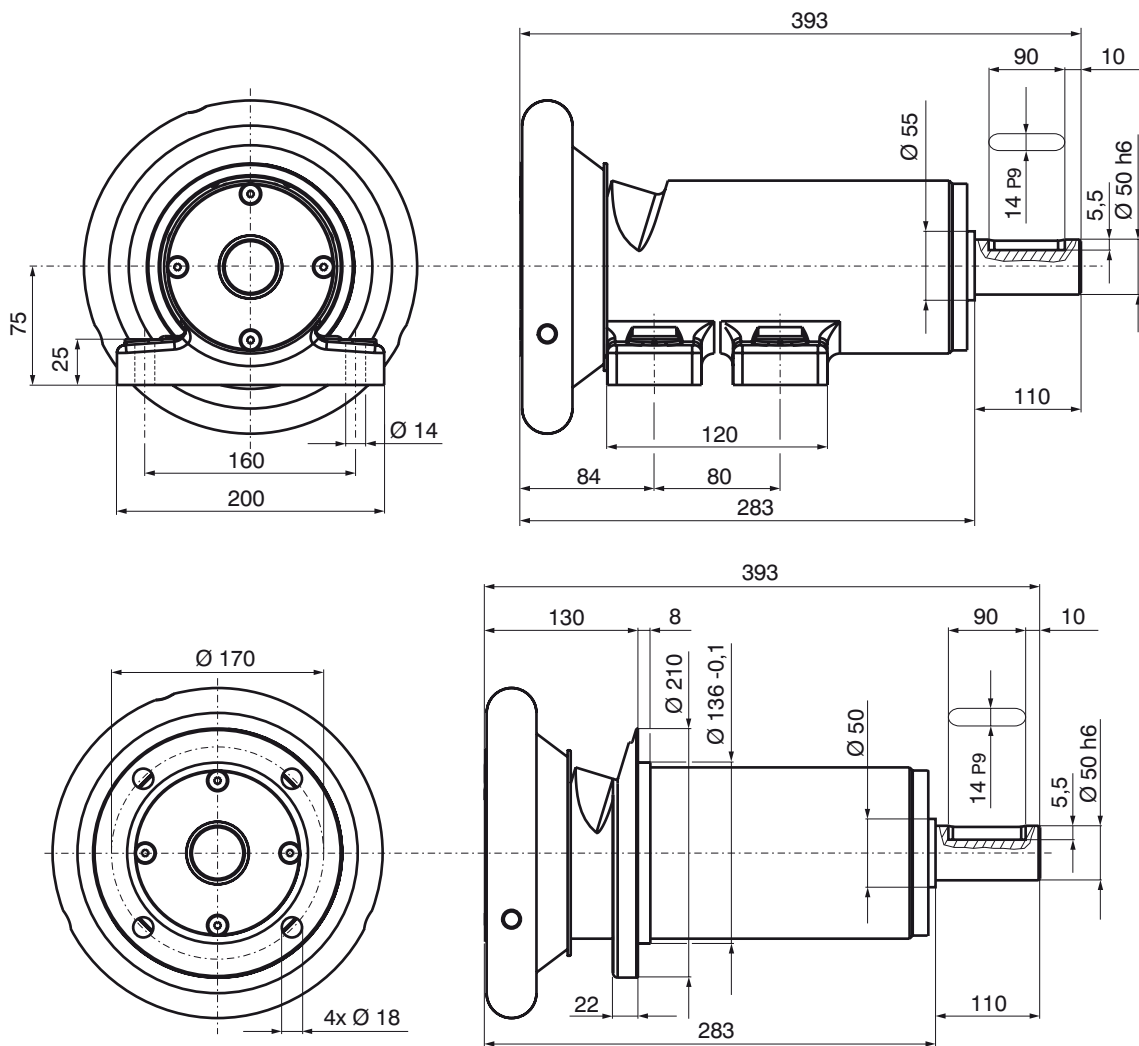
Special shaft ends on customer request

Max. shaft-dia.: Ø 50 mm
(special shaft without stop)

- Square bar:** □ 30 mm - 40 mm (1.1811" - 1.5748")
- Standard Square bar:** □ 40 mm (1.5748")
- Beam weight max.:** □ 2000 kg □ (4410 lbs)
- max. Torque:** ↻ 350 Nm (258.1 ft/lb)
- max. rpm:** 1350 min⁻¹

		Info
Type:	VT	2.55
Journal shaft type VT:	VT1 / VT2 / VT6 / VT7	2.33
Handwheel lock:	HRV II (left/right)	2.33
Add. parts:	brakes	6.00
	clutches	7.00

Extended Chucks type 40 - 50 flange and foot mounted



Special shaft ends on customer request

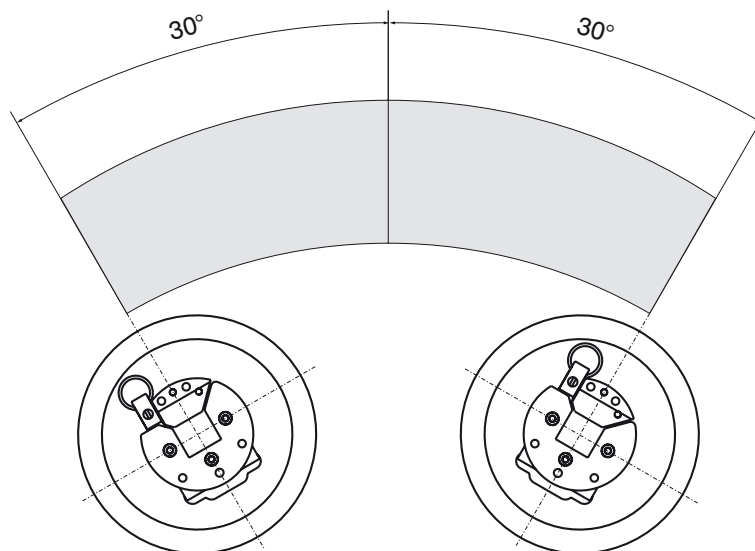
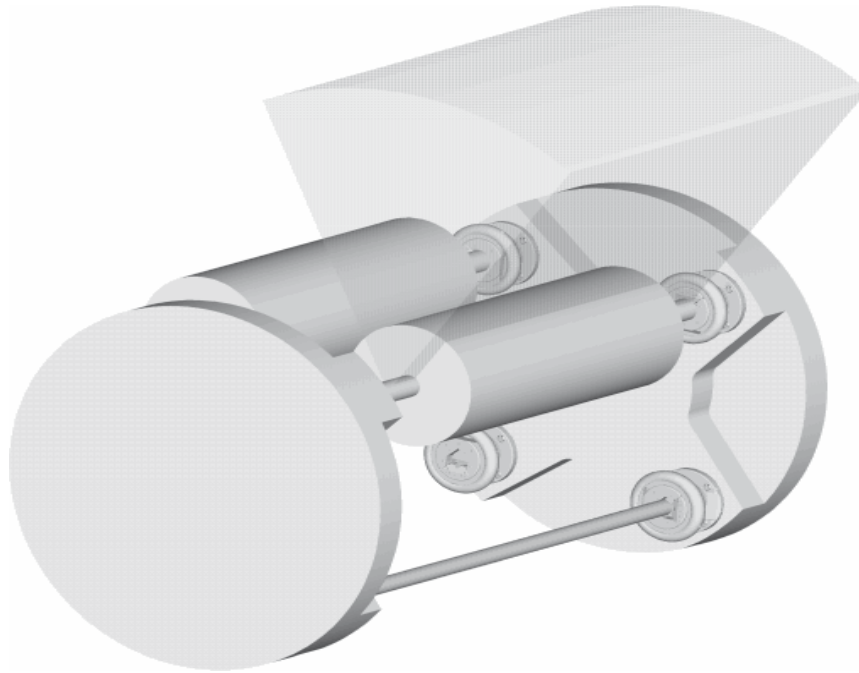
Max. shaft-dia.: Ø 65 mm
(special shaft without stop)

- Square bar:** □ 40 mm - 50 mm (1.5748" - 1.9685")
- Standard Square bar:** □ 50 mm (1.9685")
- Beam weight max.:** □ 3000 kg □ (6610 lbs)
- max. Torque:** ↻ 1100 Nm (800 ft/lb)
- max. rpm:** 1350 min⁻¹

		Info
Type:	VT	2.55
Journal shaft type VT:	VT1 / VT2 / VT6 / VT7	2.43
Handwheel lock:	HRV II (left/right)	2.43
Add. parts:	brakes	6.00
	clutches	7.00

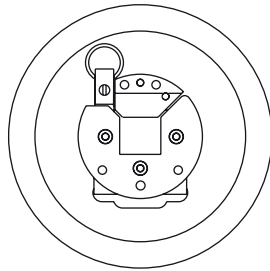
Extended opening angle +/- 30°

We provide chucks with extended opening angle especially for turret winders, because it allows easy exchange of the beam even when the chuck is not in exact vertical position for loading.

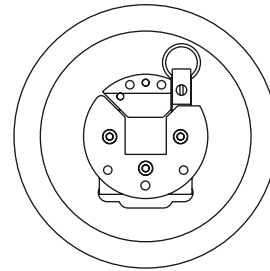


Optional opening angle to both sides up to max. 30°.

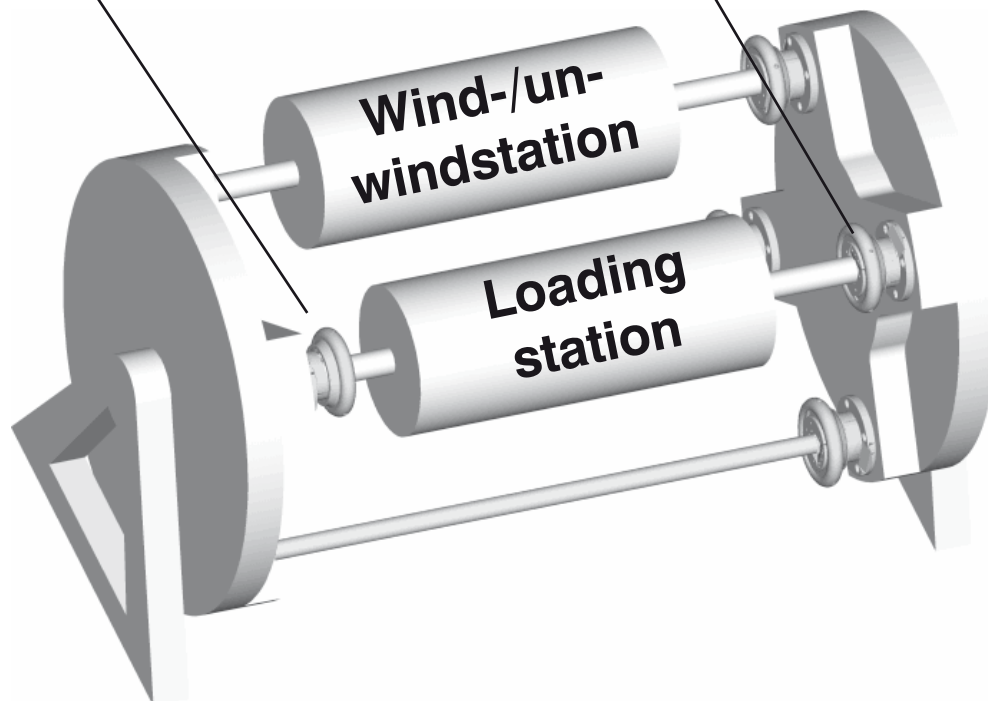
Handwheel Lock



Handwheel lock type left



Handwheel lock type right

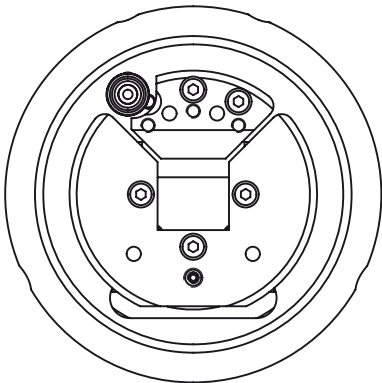


Due to safety reasons we recommend handwheel locks on applications in turret winders.

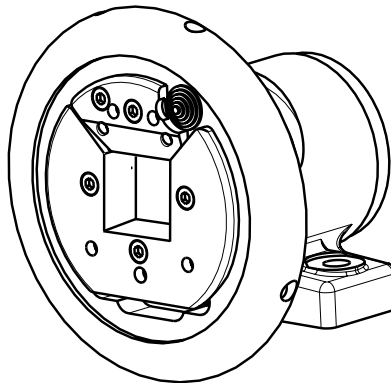
Normally the face cam on the housing prevents an opening of the handwheel. On a turret winder, the safety chucks are in normal position, when they are in the loading position. For wind or unwind the chucks are turned 180° and now work upside down. In that position, the security of the face cam apex is only partly in order.

Handwheel lock

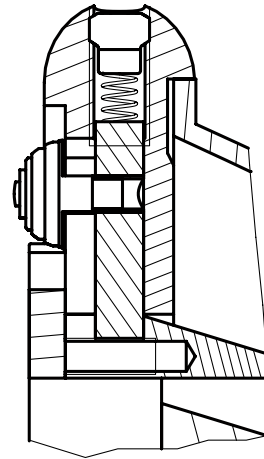
Handwheel lock type I only type 22-30



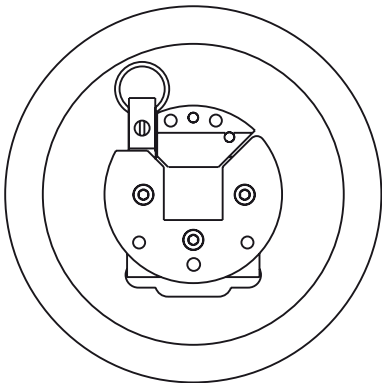
HRV I left



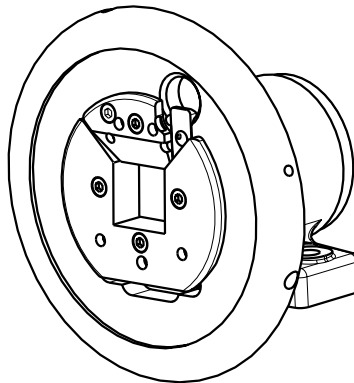
HRV I right



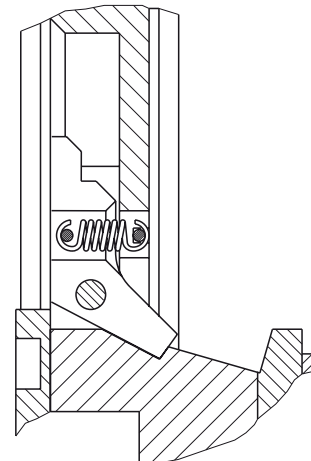
Handwheel lock type II type 30-40 / 40-50 / 50-80



HRV II left



HRV II right



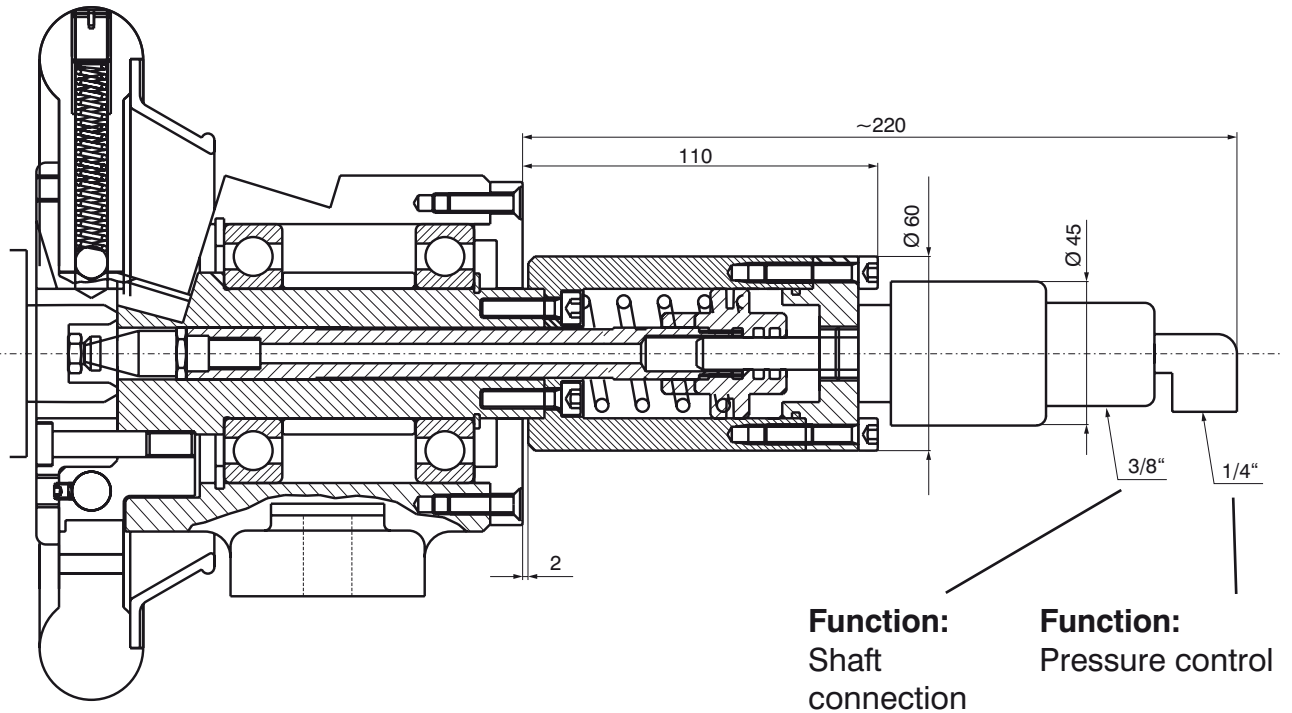
The handwheel lock type II is a very solid design.

Handwheel lock only available in VT-style.

On using the handwheel lock type II on type 30-40 and 40-50 the handwheel-Ø will be 250 mm.

In case of order note: The position of the lock (left or right) is necessary.

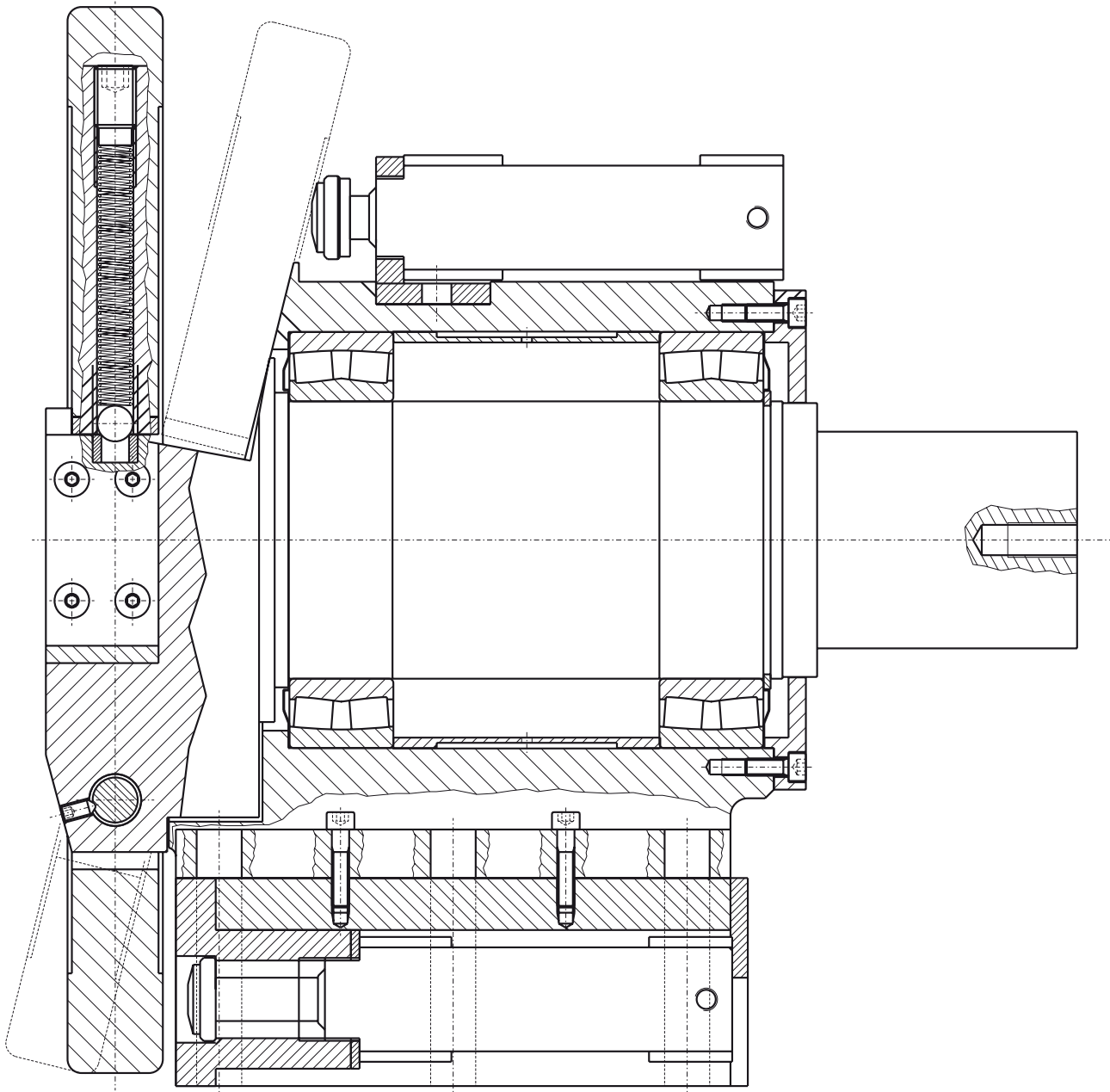
Chuck with automatic and continuous airshaft inflation



To provide continuous air pressure during the operation, the air shaft must be provided with a union which can remain engaged to the Safety Chuck side air supply during the entire operation. This application is useful in varying the air pressure to the air shaft during operation.

**Only available in VT-version
from type 22-30 (square bar $\geq \square 28$) to type 50-80.**

Safety Chuck hydraulic opening / closing



example: STW 120-180 hydraulic opening / closing

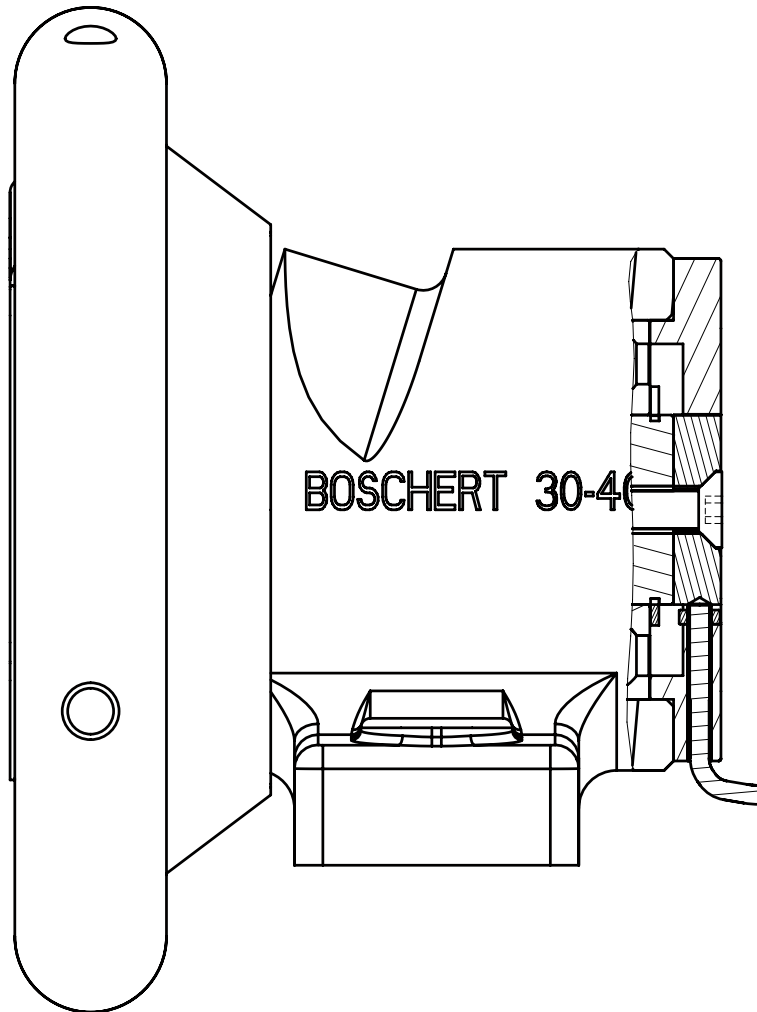
Problem:

The safety-chuck is located in a high level where it is not possible to open or close manually.

Solution:

Use a cylinder to open and close hydraulically, so the chuck can be operated from the ground without problems.

Monitoring: chuck opening positioning



Shaft position location

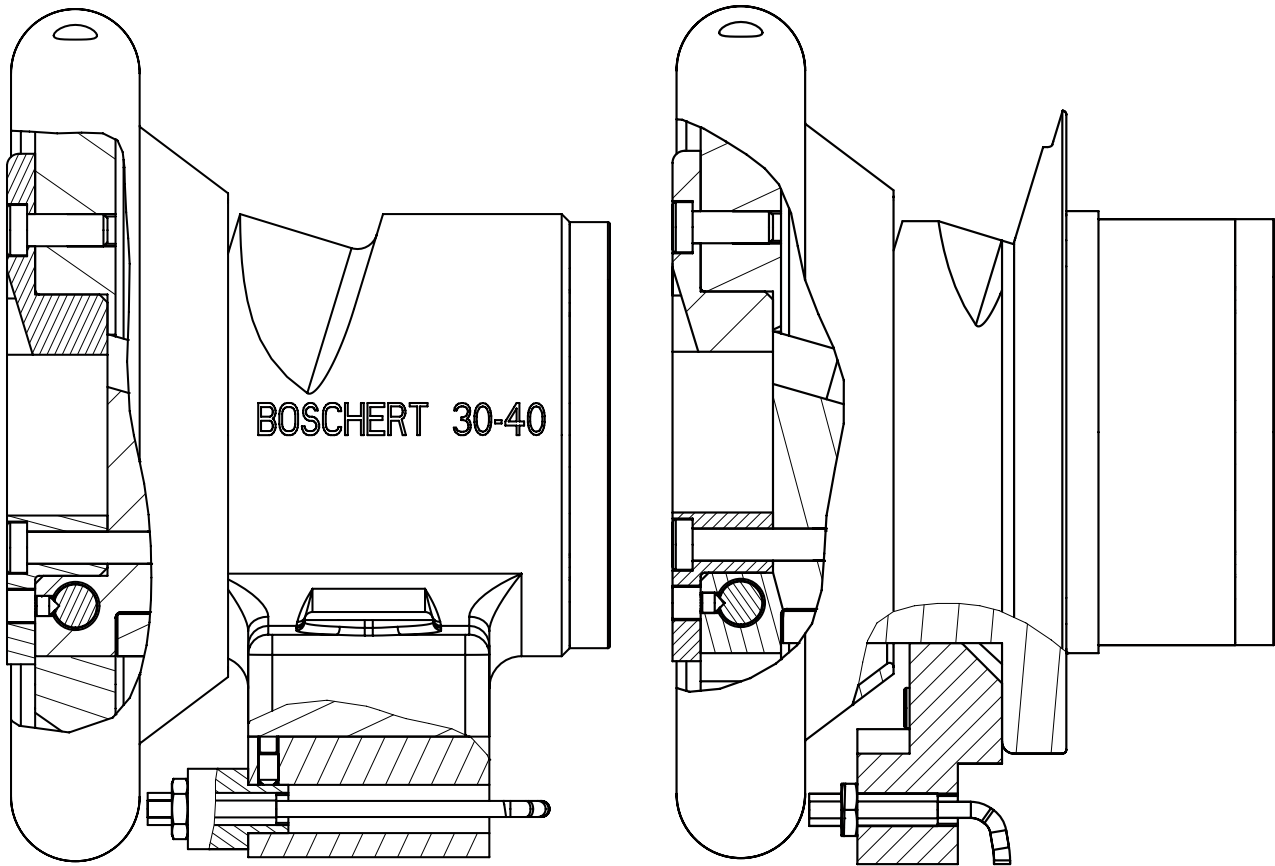
Problem:

Identify the location of the hand wheel position for easy opening and closing.

Solution:

To fit a proximity sensor inside the end cover, so the shaft position can be identified electronically.

Chuck with handwheel open/close recognition

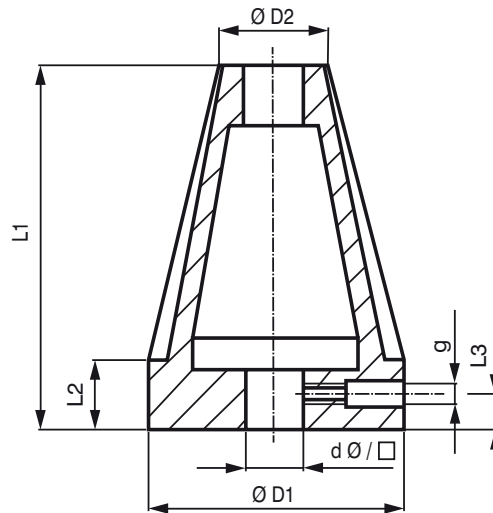


Foot mounted chuck

Flange mounted chuck

This electrical sensor gives you even more safety.

9.00 Aluminium Cones model I - VII

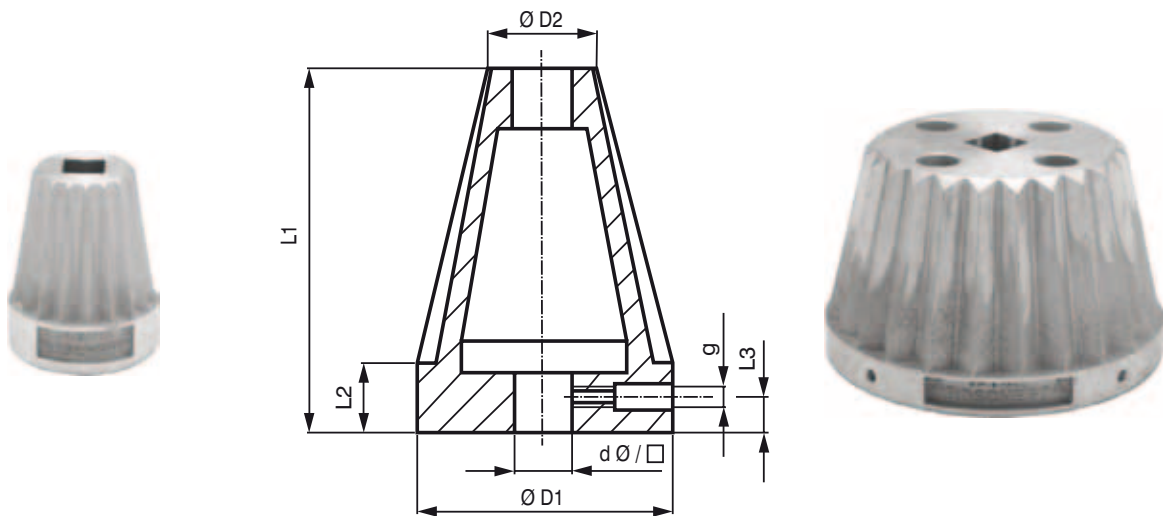


		Model				
		I	II	III	IV	
					□30	□40
Tube diameters Ø		80 - 95	70 - 80	70 - 80	55 - 120	70 - 120
d	Ø	30 - 50	30 - 50	30 - 50	30 - 35	>35 - 50
	□	30, 40	30, 40	30, 40	30	40
D1		110	90	95	130	
D2		75	65	65	50	65
L1		145	95	145	95	83
L2		40	35	35	40	
L3		20	18	18	20	
g		M10				

		Model		
		V	VI	VII
Tube diameters Ø		50 - 70	145 - 160	125 - 150
d	Ø	30 - 40	30 - 80	30 - 60
	□	30	30, 40, 50	30, 40, 50
D1		90	170	160
D2		45	140	120
L1		145	150	145
L2		35	35	35
L3		18	18	18
g		M10		

Special designs on request

Aluminium cones model VIII - XIII

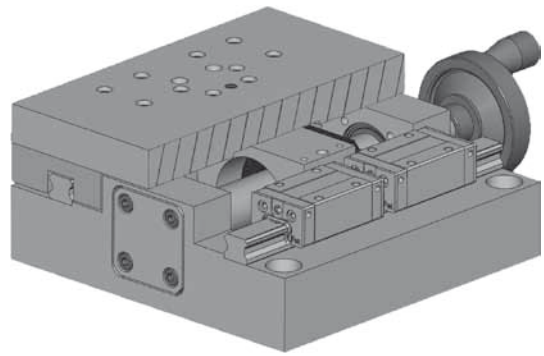
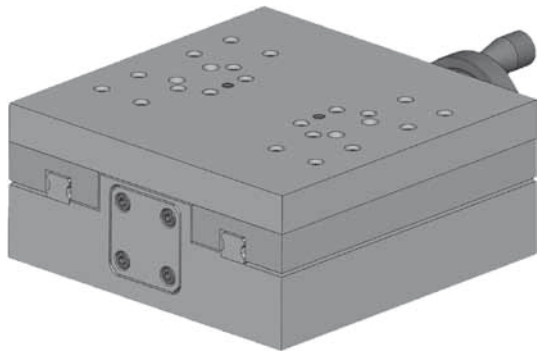


		Model			
		VIII		IX	X
		□ 30	□ 40		
Tube diameters Ø		60 - 120	68 - 120	120 - 180	225 - 280
d	Ø	30 - 40	>40 - 50	30 - 70	30 - 80
	□	30	40	40, 50	40, 50
D1		130		190	290
D2		55	63	115	220
L1		185	168	185	185
L2		35			
L3		18			
g		M10			

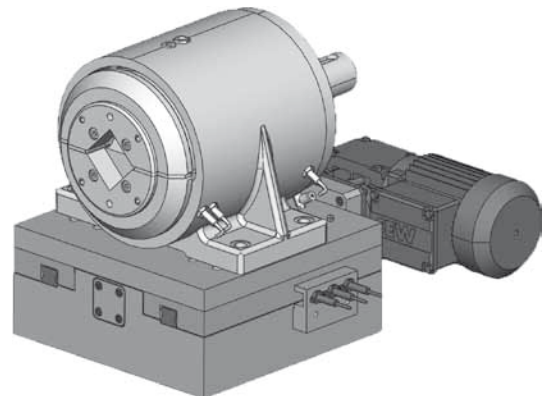
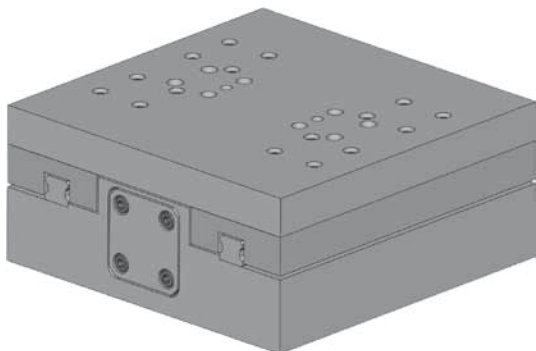
		Model		
		XI	XII	XIII
Tube diameters Ø		275 - 330	75 - 180	165 - 215
d	Ø	40 - 100	30 - 50	30 - 60
	□	40, 50	30, 40	30, 40
D1		340	190	225
D2		270	70	160
L1		185	155	185
L2		35		
L3		18		
g		M10		

Special designs on request

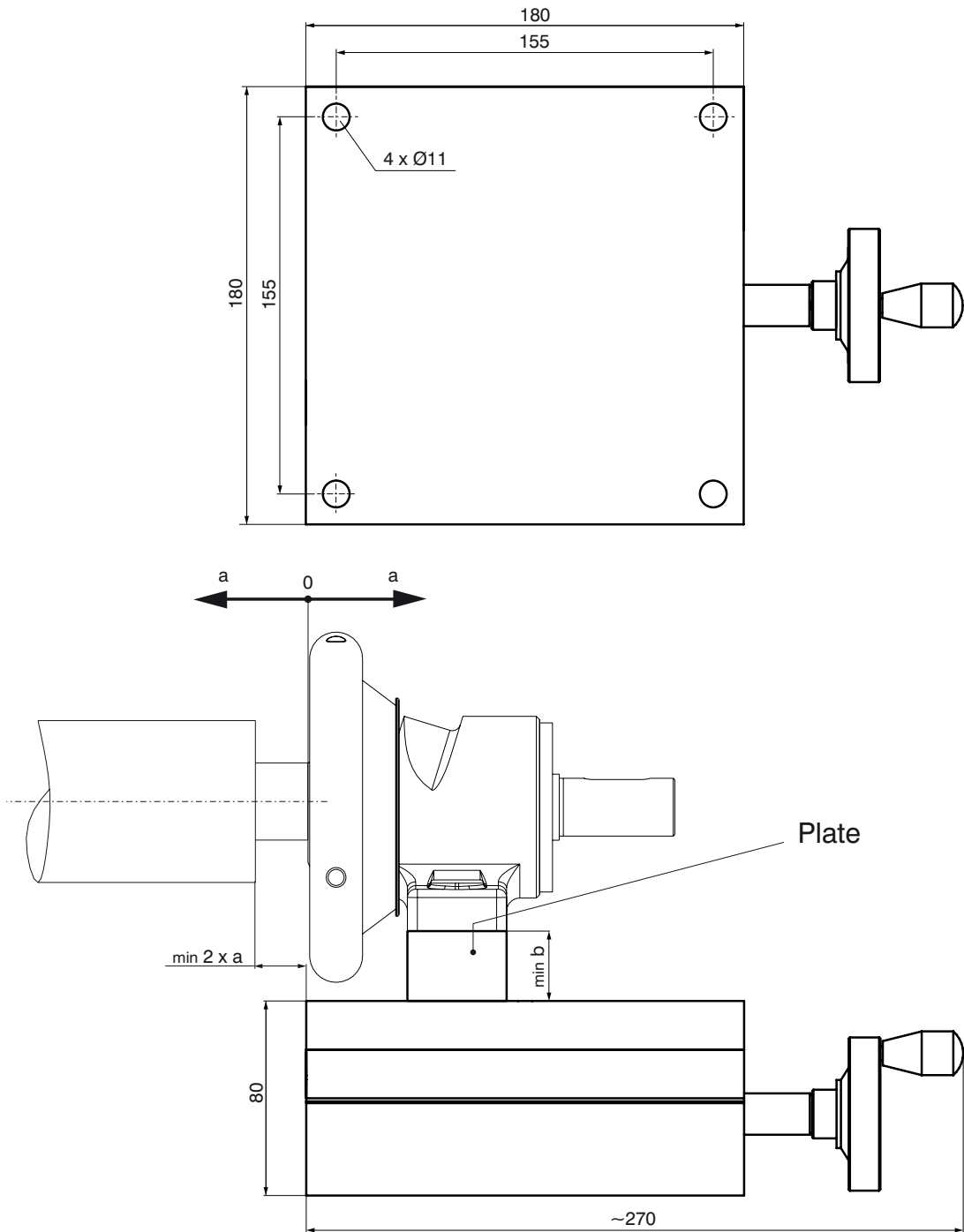
9.10 Overview Slide axial / radial



Slide								
	Axial						Radial	
	small			large			small	large
	active	with motorized adjustment	passive	active	with motorized adjustment	passive	active	active
22-30	x	x	x				x	
30-40	x	x	x				x	
40-50				x	x	x		x
50-80				x	x	x		x
Sliding-Chuck								
22-30							x	
30-40							x	
40-50								x
Series A								
A40	x	x	x				x	
A50				x	x	x		x
A80				x	x	x		x
Series P								
P40				x	x	x		x
P50				x	x	x		x

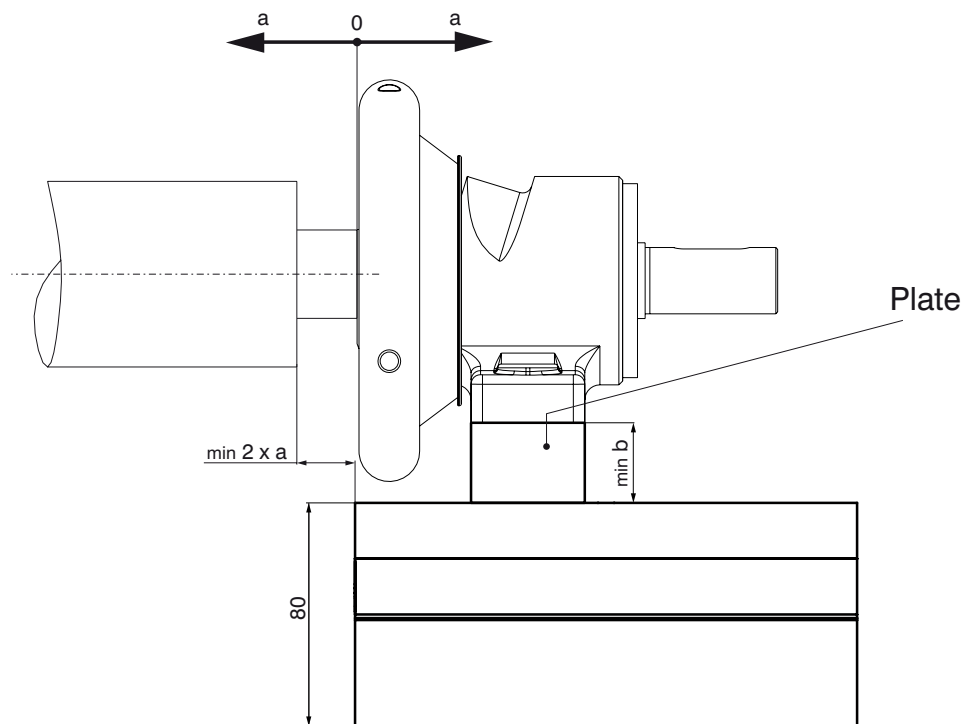
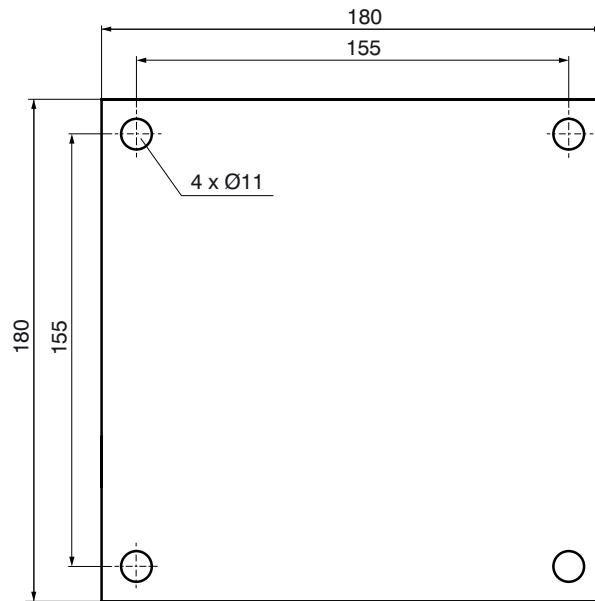


9.20 Axial Slide small active



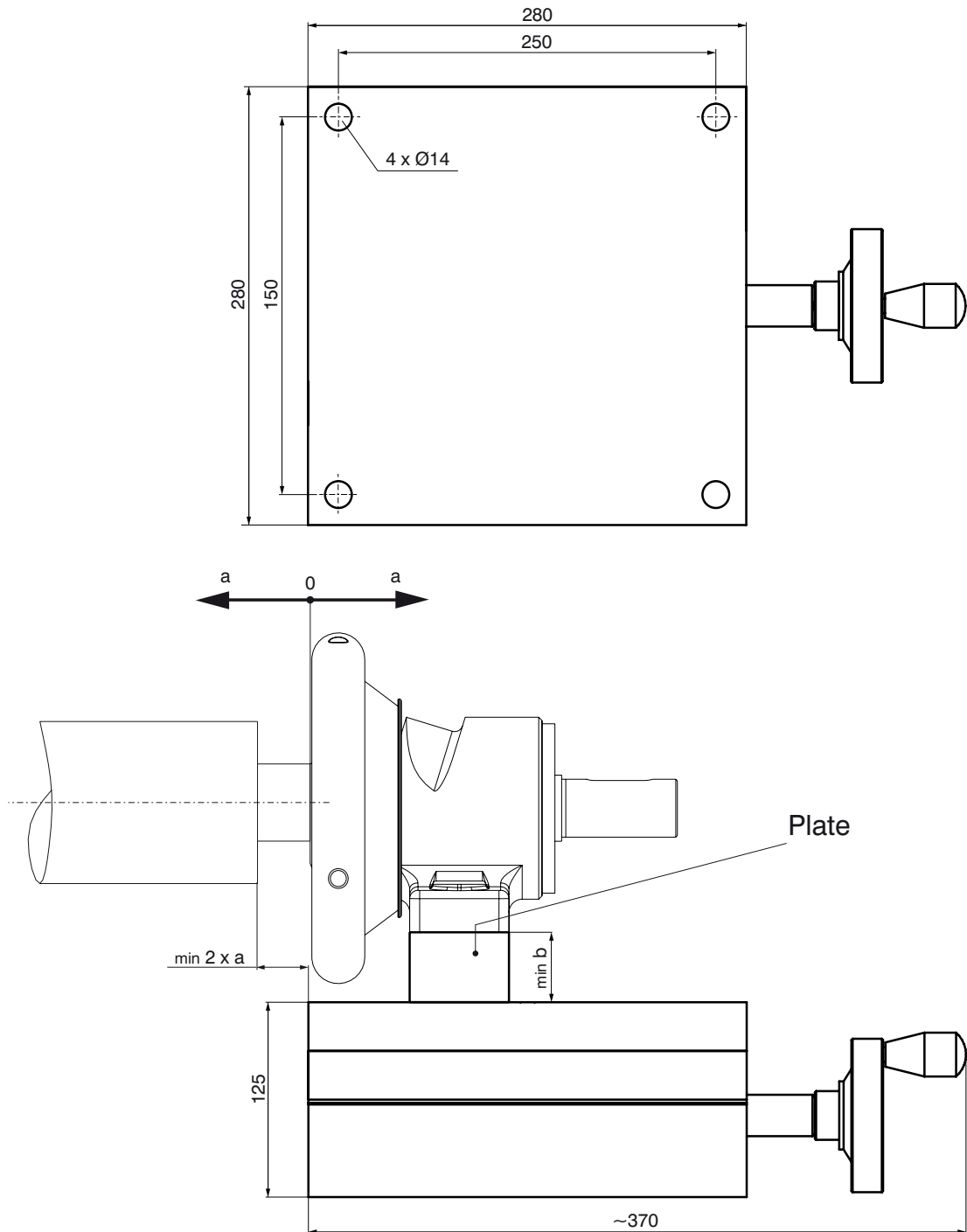
	a	b
22-30	25	50
30-40	25	50
A40	25	50

Axial slide small passive



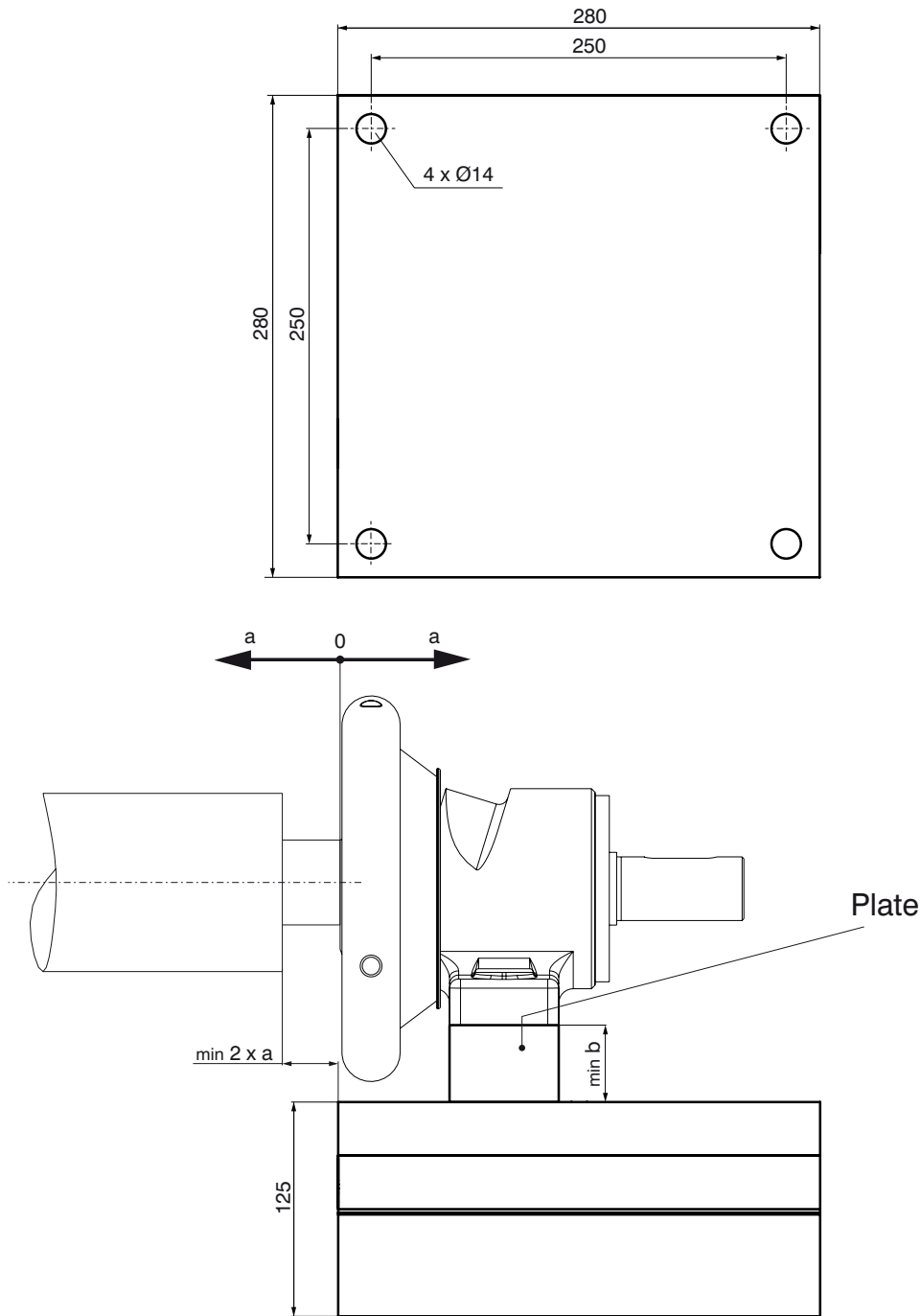
	a	b
22-30	25	50
30-40	25	50
A40	25	50

Axial Slide big active



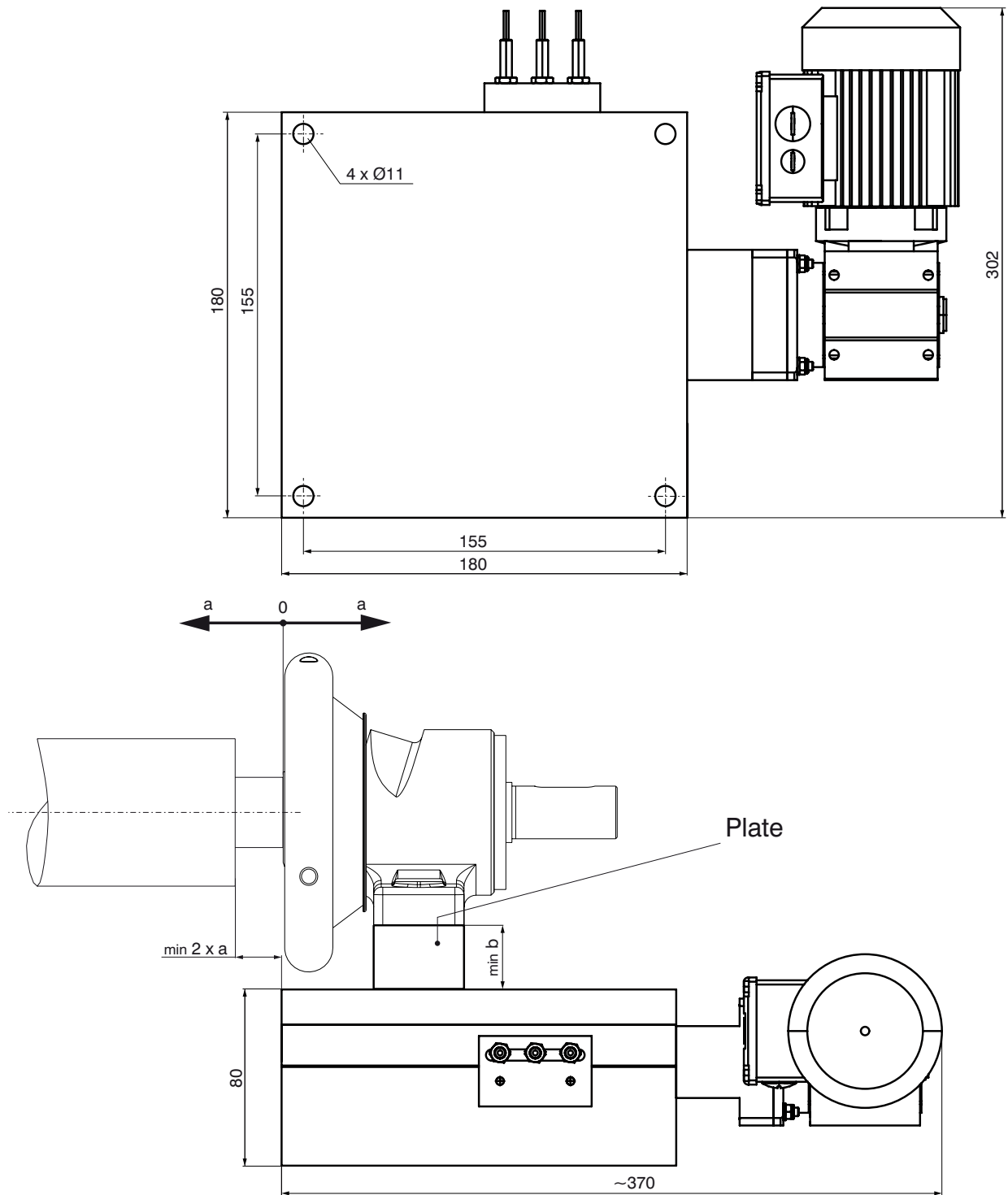
	a	b
40-50	25	60
50-80	25	80
A50	25	60
A80	25	80
P40	25	60
P50	25	60

Axial Slide big passive



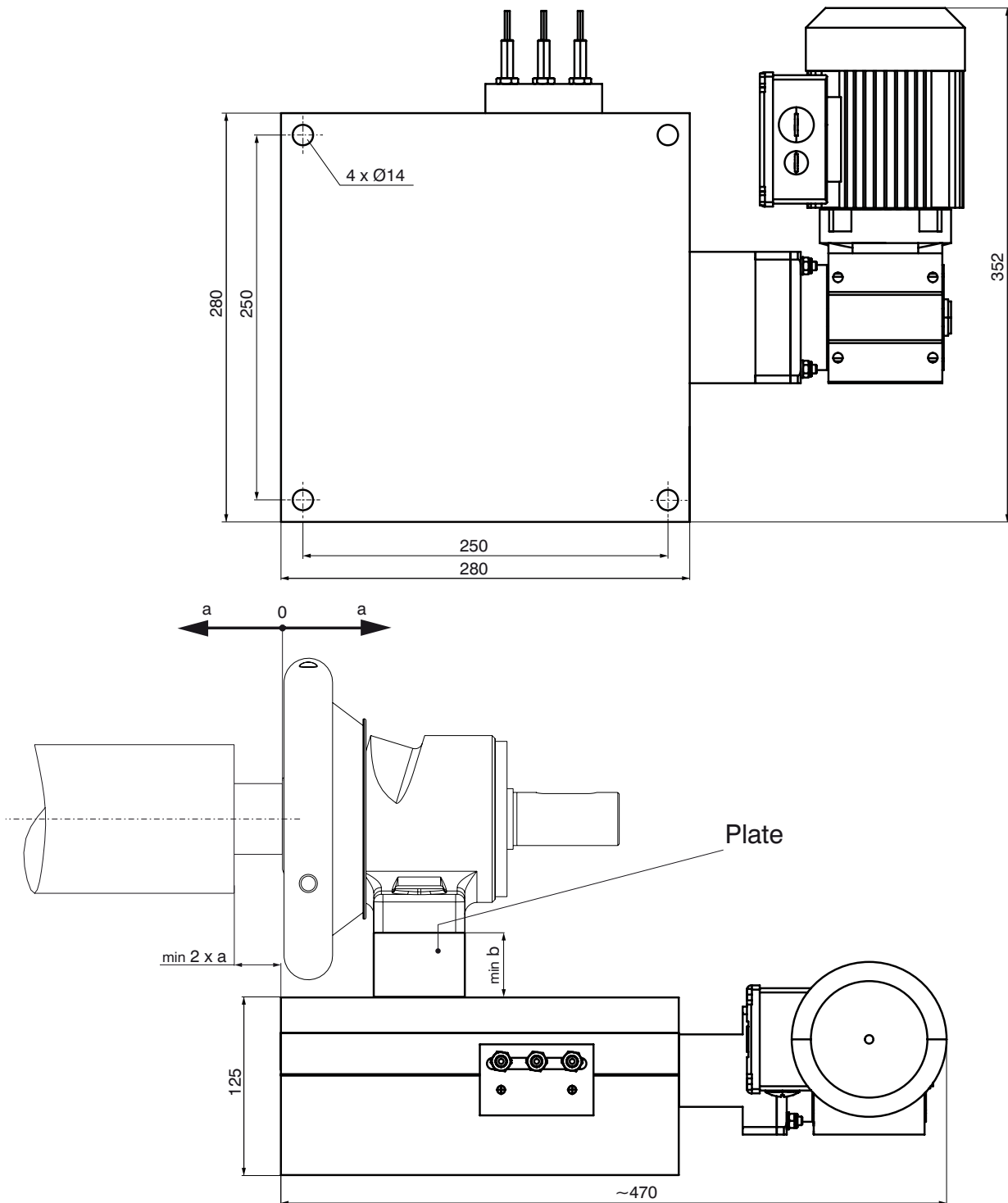
	a	b
40-50	25	60
50-80	25	80
A50	25	60
A80	25	80
P40	25	60
P50	25	60

Axial Slide small with motor adjustment



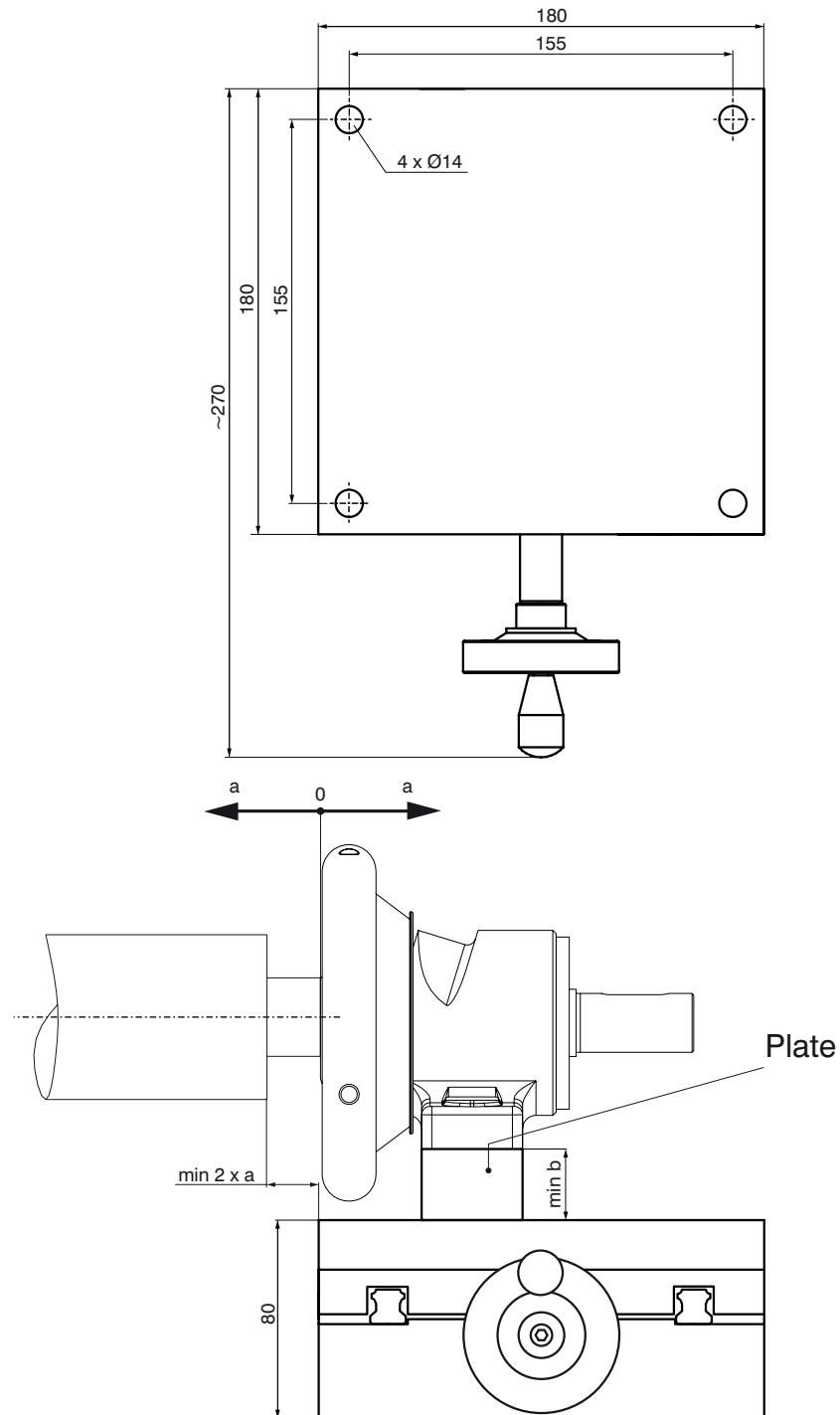
	a	b
22-30	25	50
30-40	25	50
A40	25	50

Axial Slide big with motor adjustment



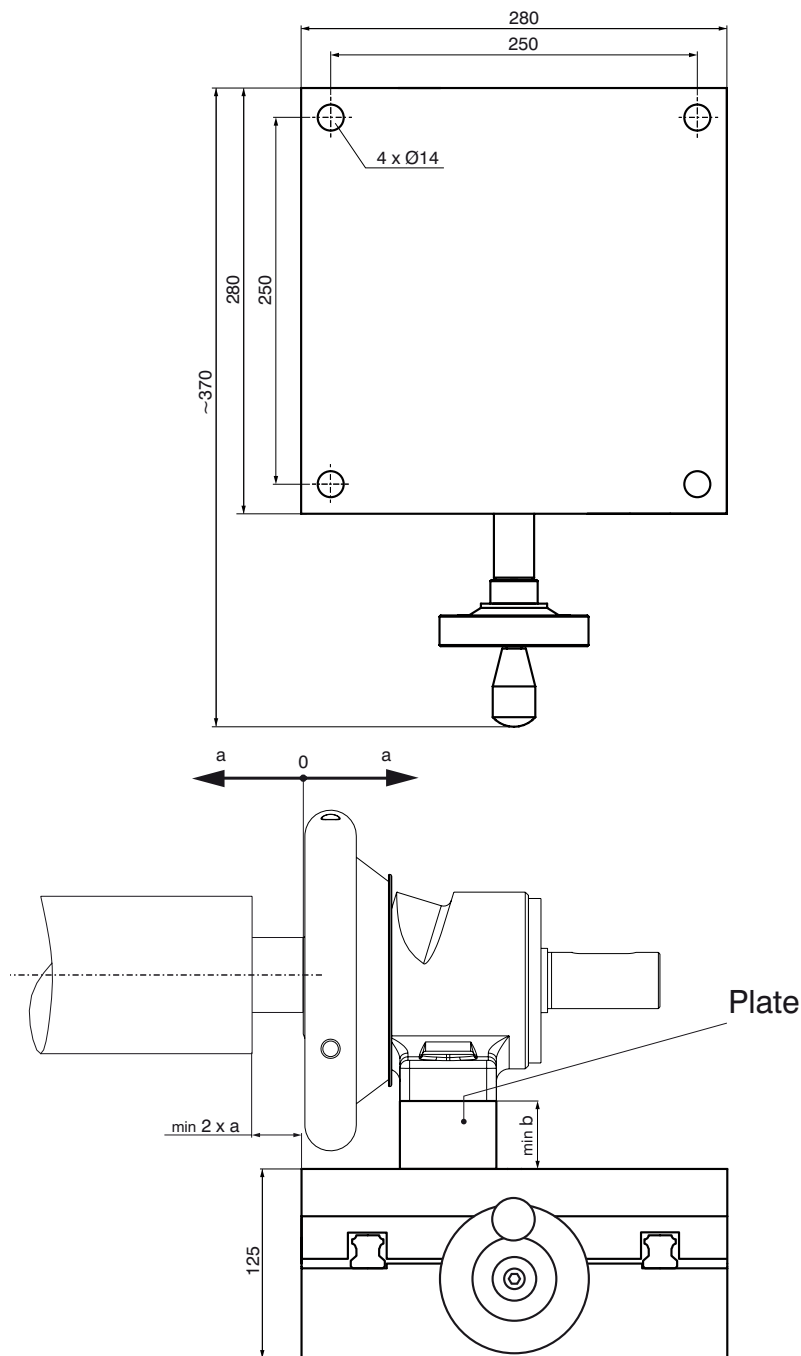
	a	b
40-50	25	60
50-80	25	80
A50	25	60
A80	25	80
P40	25	60
P50	25	60

Radial Slide small active



	a	b
22-30	25	50
30-40	25	50
A40	25	50
Sliding-chuck		
22-30	25	50
30-40	25	50

Radial Slide big active



	a	b
40-50	25	60
50-80	25	80
A50	25	60
A80	25	80
P40	25	60
P50	25	60
Sliding-chuck		
40-50	25	60

9.80 Tension Control Easy Wind



Easy Wind:
Standard solution for one roll

Technical data	
Control box (W x H x D):	300 x 300 x 120 mm
Sensor:	88 x 30 x 65 mm
Electricity:	230 V / 50 Hz / 30 W
Compressed air:	max. 7 bar (105 psi) filtered 0,3 μ m
Output pressure:	max. 5 bar
Roll / lap / reel \varnothing :	max. 1600 mm
Enclosure:	IP54

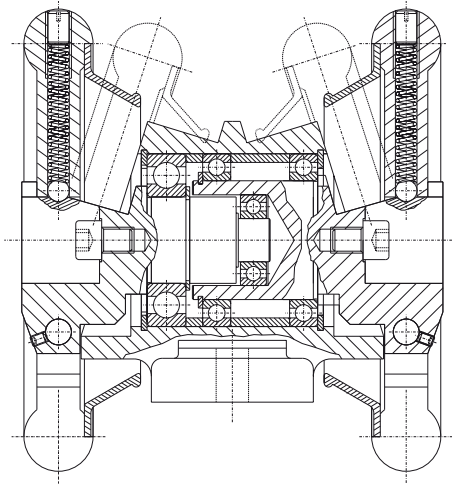
Options:

Easy Wind Twin: The solution for two rolls (two sensors, one control unit)

Easy Wind Sensitive: Each brake caliper can be shut on or off

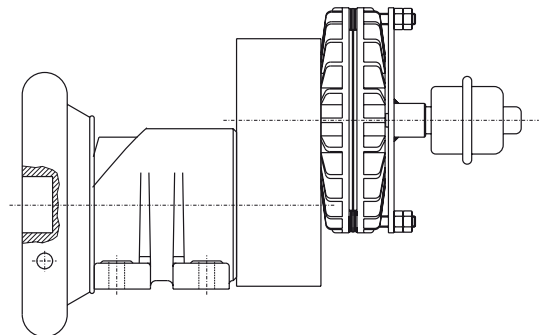
Further solutions on request.

10.00 Overview special solutions



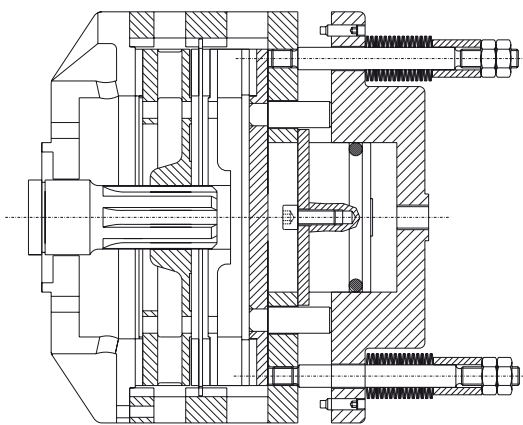
Twin STO Chucks

Info: 10.01



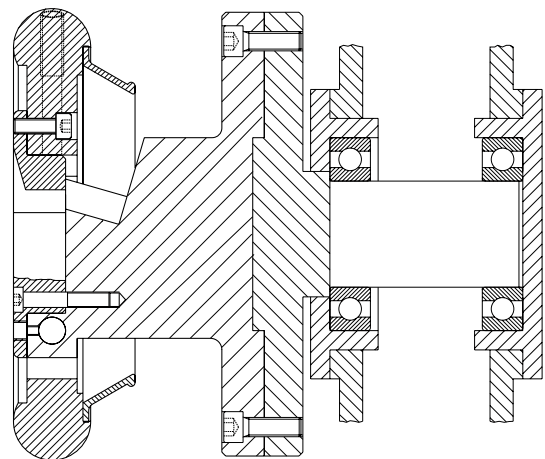
Chuck with ESB brake and
intermediate gearbox

Info: 10.02



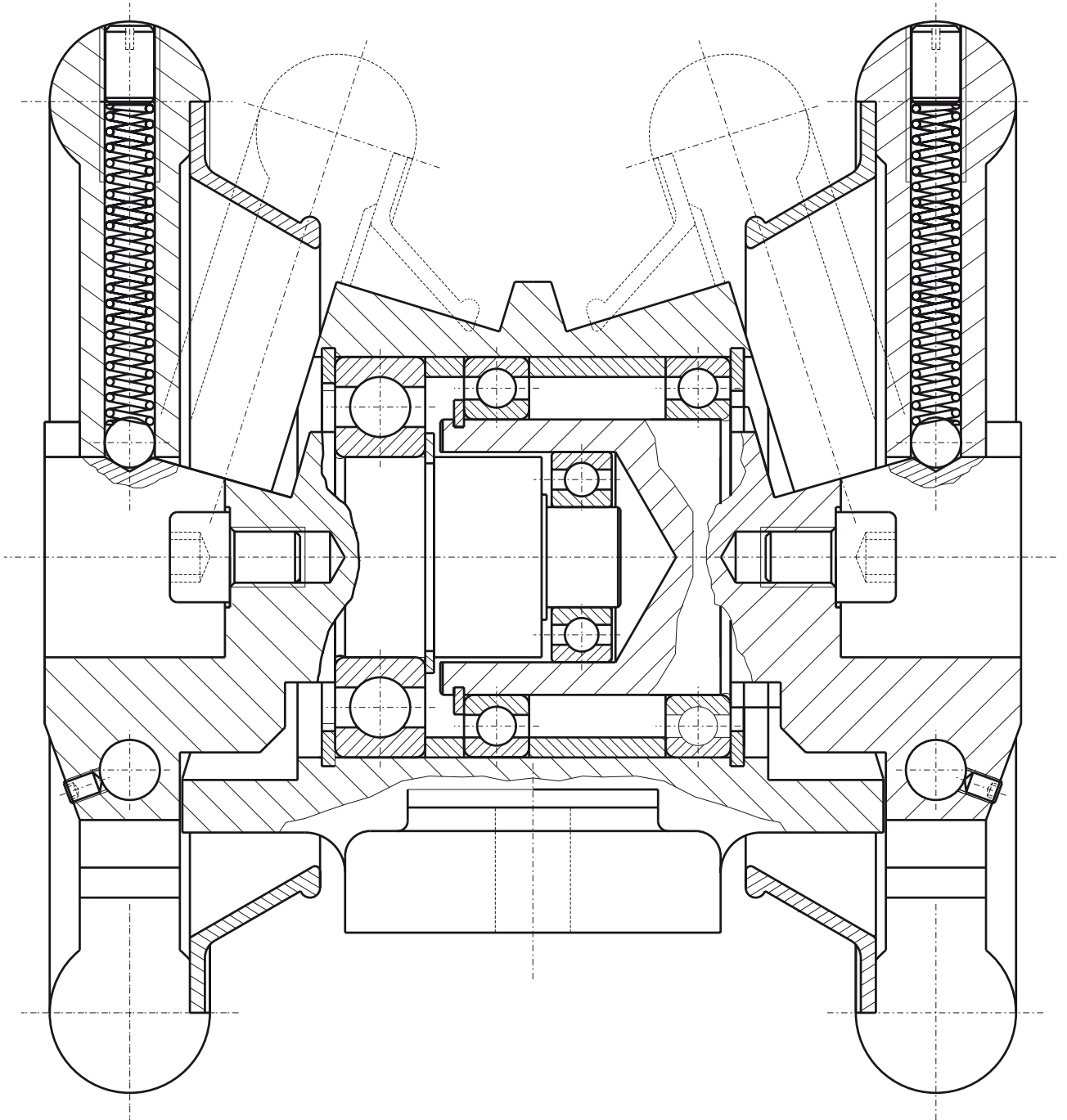
Spring-loaded brake

Info: 10.03



Installation of Boschert-Chucks
in existing winding unit

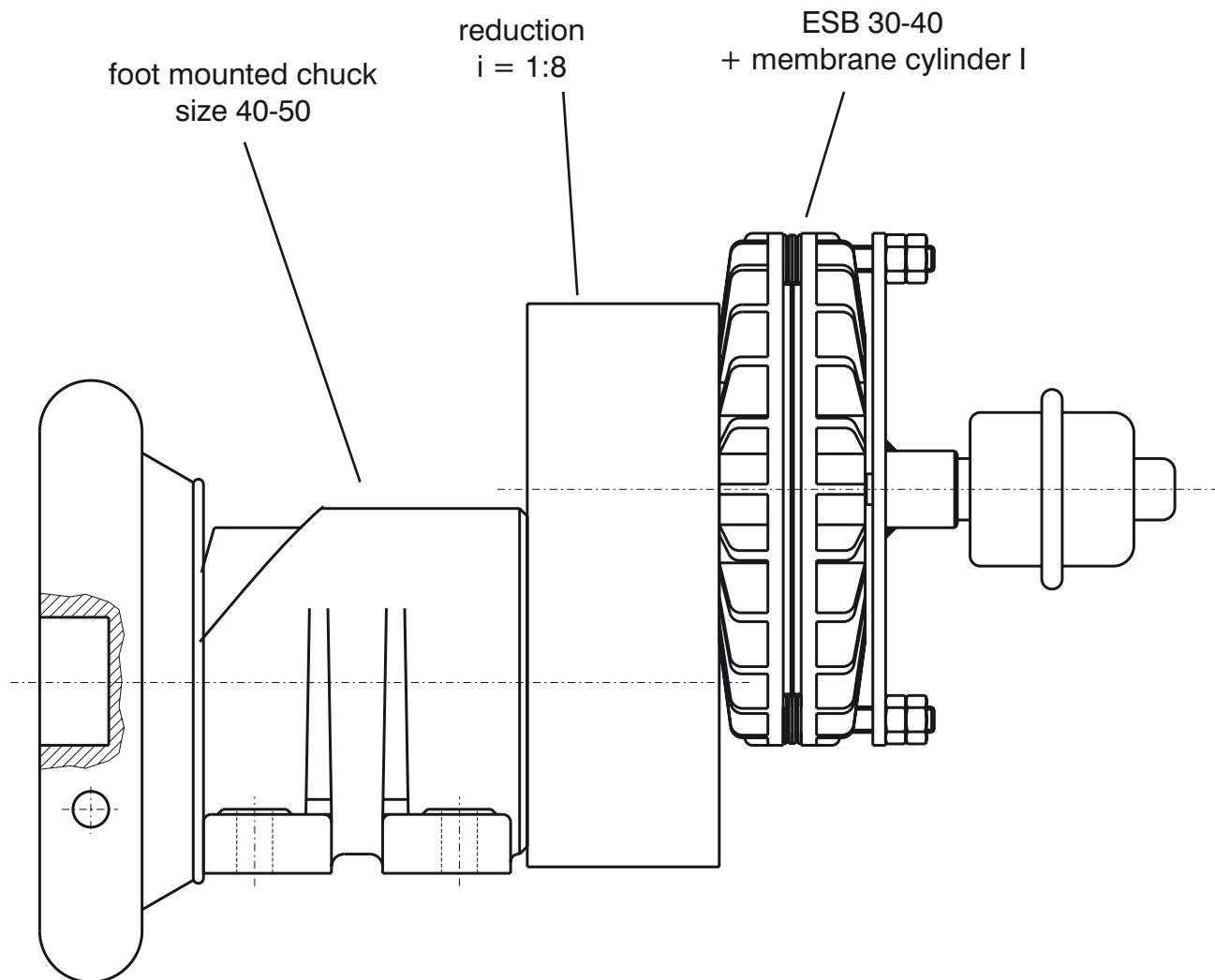
Info: 10.04



Handwheels turn independently of each other

Two winding shafts have to work in a very short distance. The winding shafts cannot be connected with each other, they have to work independently.

Chuck with ESB brake and intermediate gearbox



Reduction brake for extremely low speed

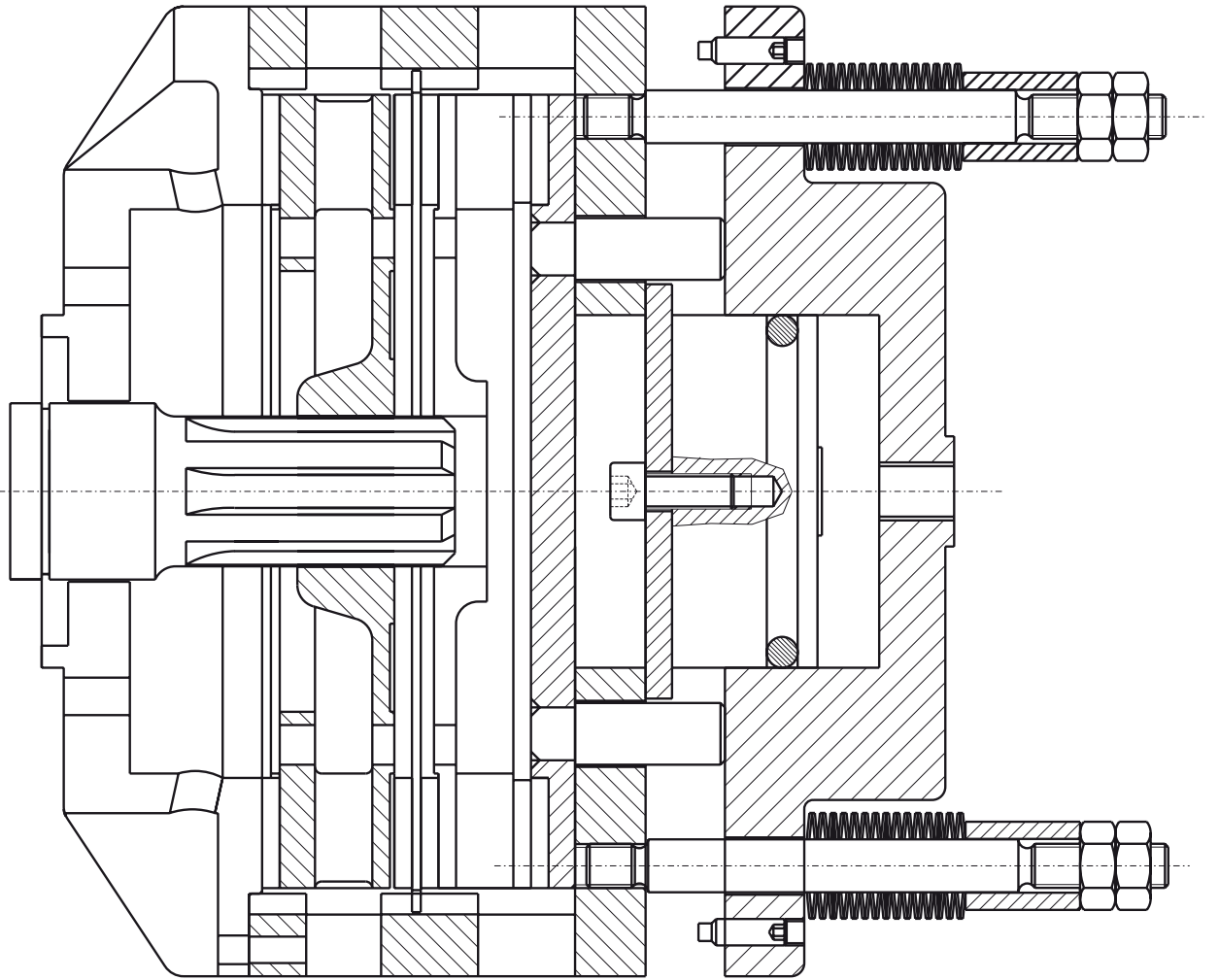
Problem:

Unwinding with a speed less than 2 rpm which has to be braked. The control has to be very sensitive and without slip-stick and squeezing noises.

Solution:

By use of an intermediate gear the speed on the brake disc will be increased. Because of the higher speed there are no squeezing noises and you have better control of the brake.

Spring-loaded brake

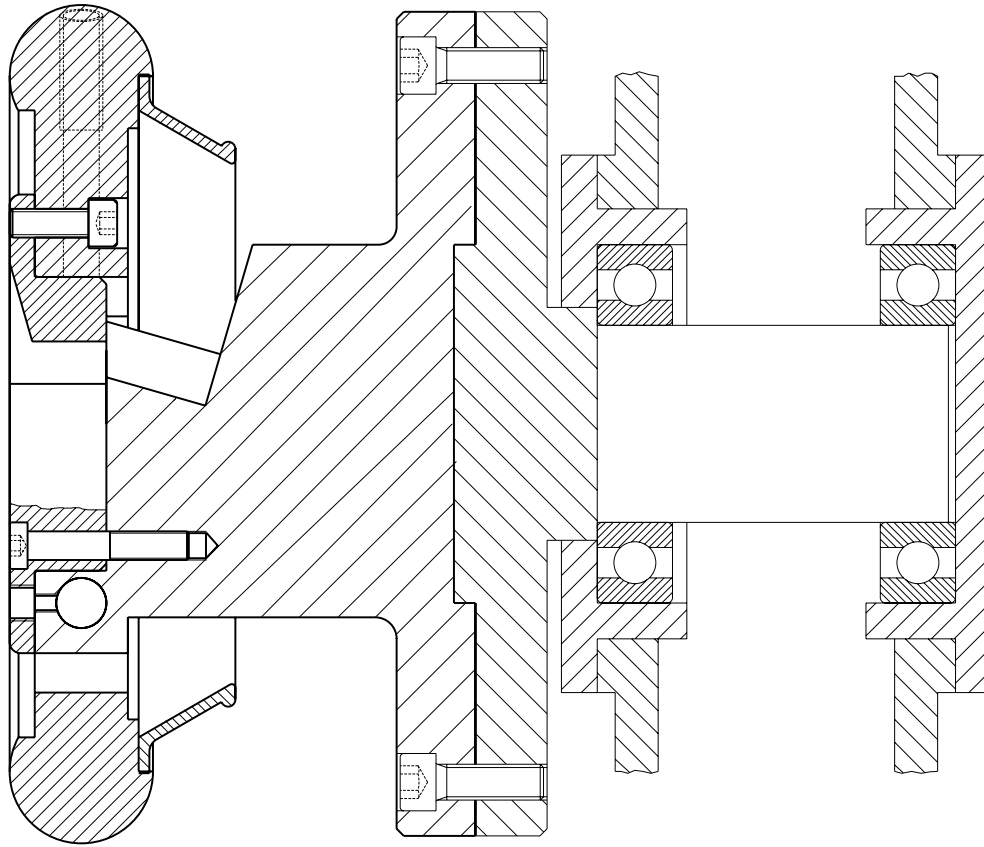


Security-brake

Problem:

This Security-brake has to bring the unit to a standstill in an emergency situation or during a drop-in-pressure and opens when air-pressure occurs.

Installation of Boschert-Chucks in existing winding unit



Problem:

Modification from existing turret winders or winding support to Boschert chucks.

Solution:

You can keep existing fixing surfaces. Boschert chucks are mounted with adapter or special shafts directly into the winding unit.

11.00 Winding Beam Dimensions Length Tolerances

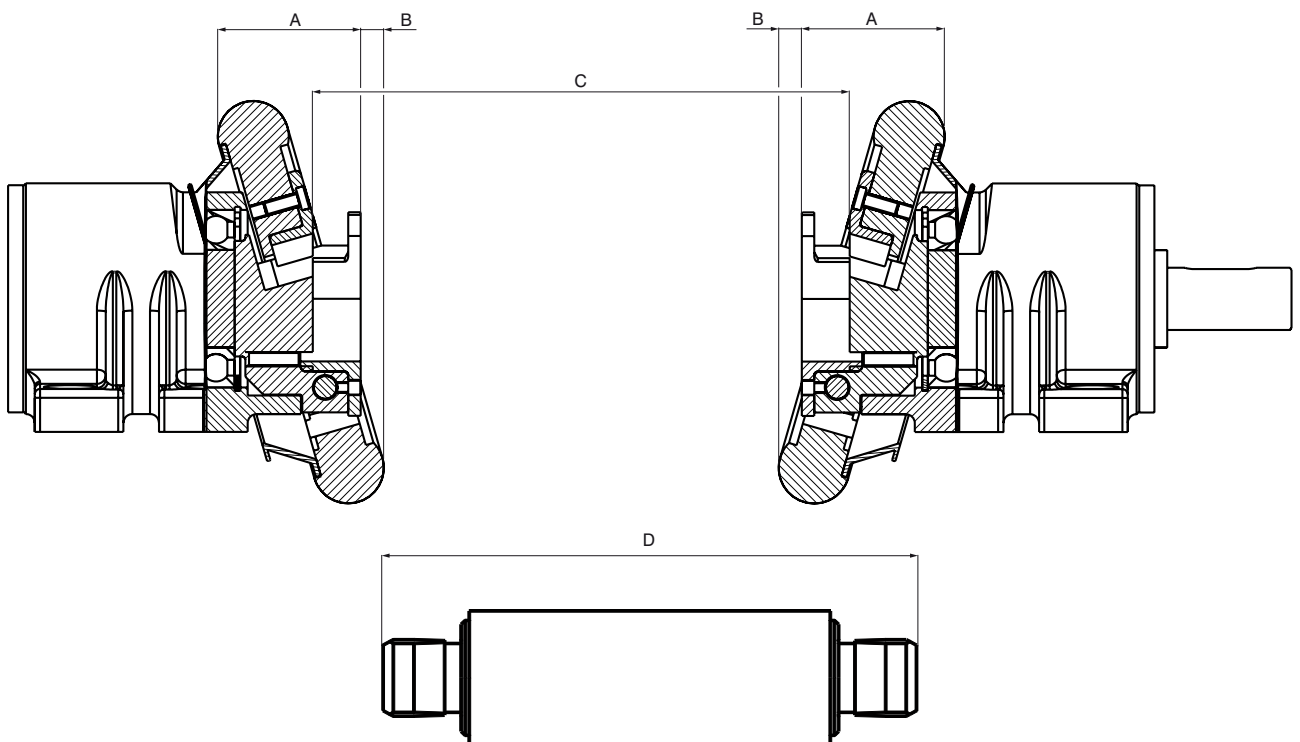
Boschert regulations:

Attention!

We emphasize that the close tolerances and exact manufacture of our new chucks make it necessary to **machine the winding shafts referring to the drawings and dimensions above.**

Before running the chucks for the first time, **please check if the handwheels close easily to ensure that the winding bar fits correctly.**

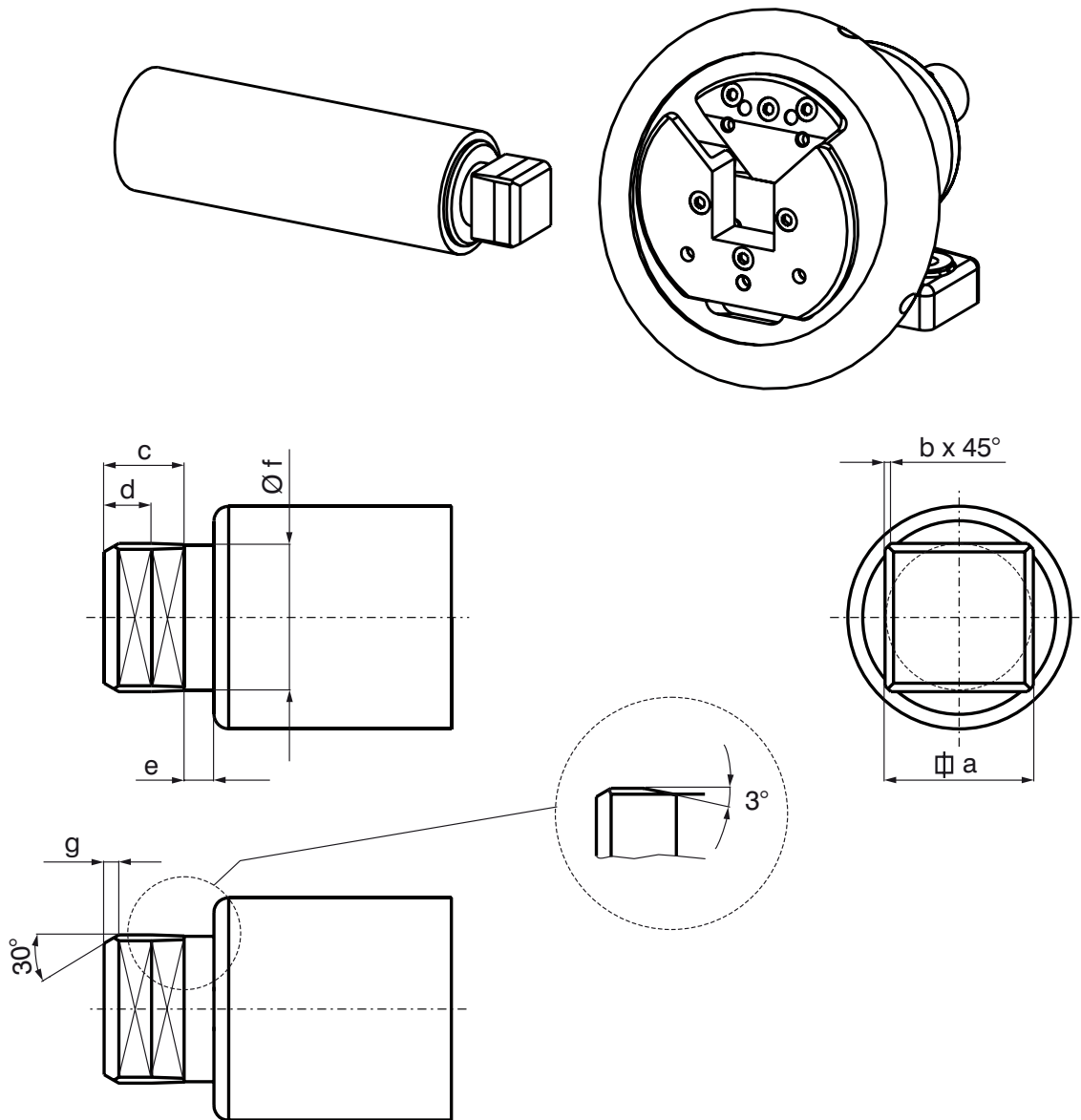
Only by following these regulations, the functions of the Safety Chucks is ensured.



	A	B	$x=(C-D)$	$y=(C-D)$
Mini	38	8	0.5	1
19-25	54	9	0.5	1
22-30	61	8	0.5	1
30-40	73	13	0.5	1
40-50	81	13	0.5	1
50-80	106	16	0.5	1
80-120	145	18	0.5	1
120-180	175	24	1	2
170-230	230	18	1	2

x = min. clearance
y = max. clearance

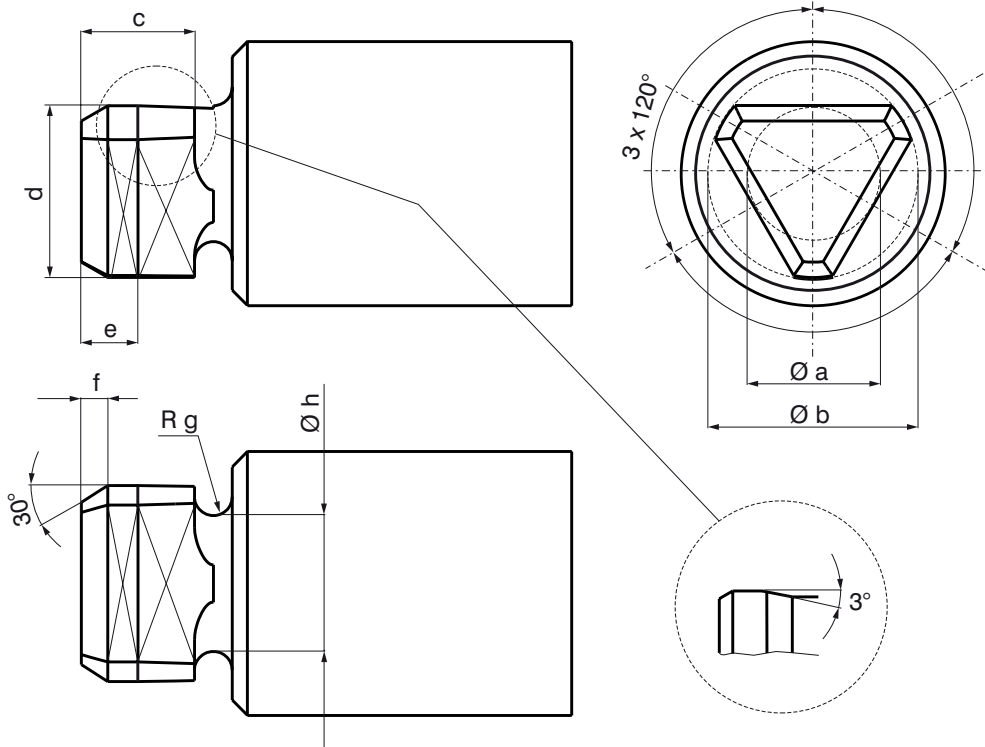
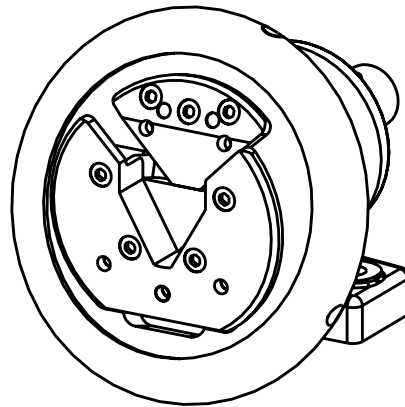
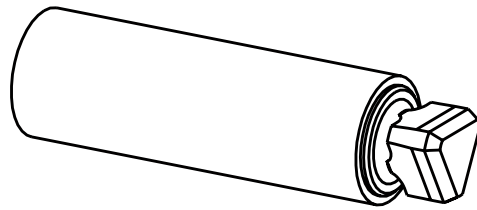
11.10 Winding Beam Dimensions Journal C / VT1 / VT2



	C / VT1/VT2						
	a f7	b	c	d	e	f	g ⁺¹ ₀
Mini	14 - 20	1	11.5 -0.2	8	8	a-1 -0.1/-0.2	3
19-25	19 - 25	1	18.5 -0.2	10	8	a-1 -0.1/-0.2	3
22-30	22 - 30	1	21 -0.2	11	8	a-1 -0.1/-0.2	4
30-40	30 - 40	1.5	24 -0.2	12.5	10	a-1 -0.1/-0.2	5
40-50	40 - 50	2	26 -0.2	13.5	10	a-1 -0.1/-0.2	5
50-80	50 - 80	3	34 -0.3	17.5	17	a-1 -0.1/-0.3	6
80-120	80 - 120	4	54 -0.5	27.5	22	a-1 -0.1/-0.3	16
120-180	120 - 180	5	64 -0.5	35	25	a-1 -0.1/-0.3	20
170-230	170 - 230	6	89 -0.5	48	25	a-1 -0.1/-0.3	32

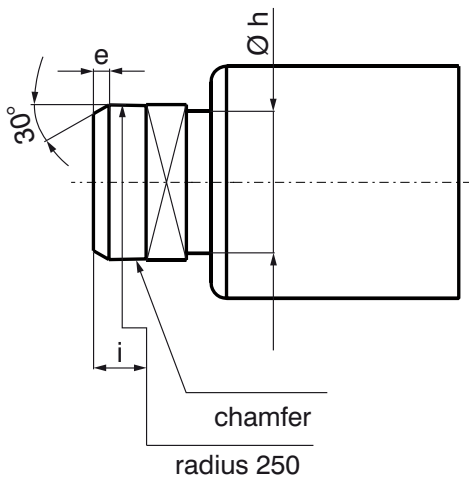
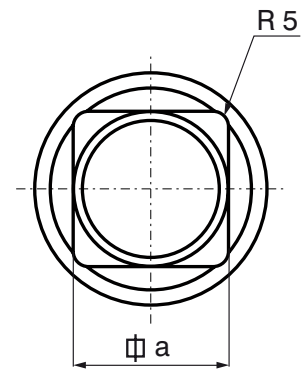
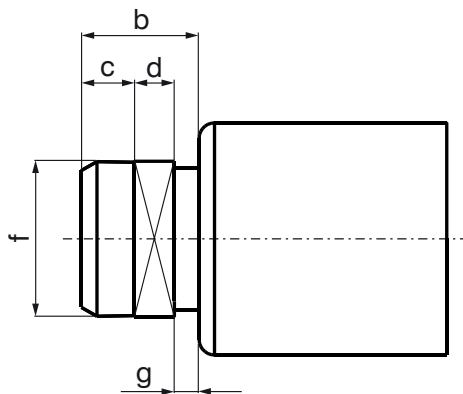
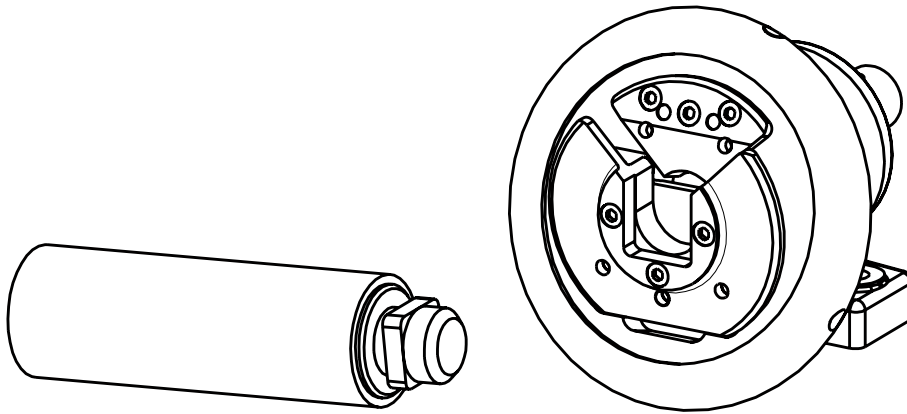
VT2: 50-80 a > 60 mm (2 1/2") = „b“ = 4

Winding Beam Dimensions Journal VT6



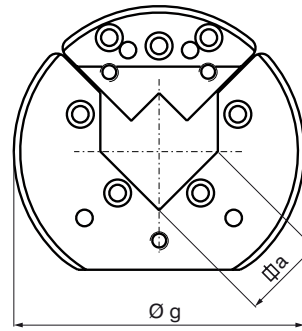
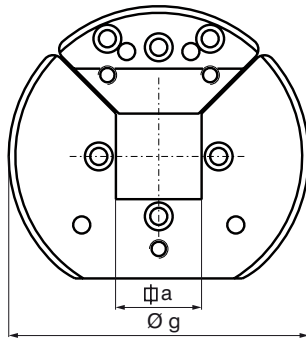
	VT6							
	a f7	b f7	c	d f7	e	f ⁺¹ ₀	g	h
Mini	20	27	11.5	23.5	7.5	3	4	20 -0.1/-0.2
19-25	20	27	18.5	23.5	12	3	4	20 -0.1/-0.2
22-30	30	44	21.5 -0.2	37	14	5	4	30 -0.1/-0.2
30-40	36	54	24 -0.2	45	15	7	5	36 -0.1/-0.2
40-50	46	69	26 -0.2	57.5	16	7	5	46 -0.1/-0.2
50-80	67	104	34 -0.3	85.5	20	7	8.5	67 -0.2/-0.4
80-120	96	148	54 -0.5	122	30	18	11	96 -0.2/-0.4

Winding Beam Dimensions Journal VT7



	VT7								
	a	b	c	d	e ⁺¹ ₀	Ø f h7	g	Ø h -0.2	i
22-30	30 +0.1/+0.3	32.8	14 +0.2/+0.3	10.5 -0.1	4	30	8 +0.1	26	6
30-40	40 +0.1/+0.3	37	18 +0.2/+0.3	11 -0.1	5	40	8 +0.1	36	6
40-50	50 +0.1/+0.3	38	17 +0.2/+0.3	13 -0.1	5	50	8 +0.1	46	6
50-80	50 +0.2/-0.2	55	23 +0.2/+0.3	17 -0.1	6	50	15 +0.1	45	9
	80 +0.1/+0.3	5	23 +0.2/+0.3	17 -0.1	6	80	15 +0.1	74	9

11.20 Dimension Sheet VT-inserts

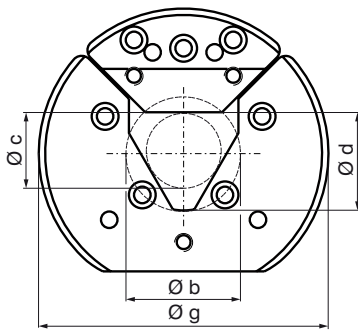


VT1/VT2

	dimension a (mm) H8											g
22-30	25	30										104
30-40		30	32	35	40							140
40-50					40	45	50					144
50-80							50	60	80			195
80-120									80	100	120	230

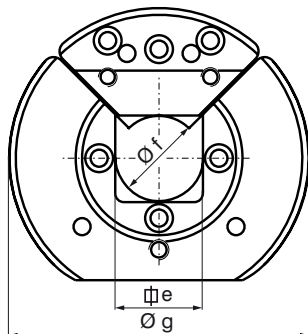
	dimension a (inch/mm) H8											g
22-30	1"	1 1/8"	1 1/4"									104
	25.4	28.57	31.75									
30-40			1 1/4"	1 1/2"								140
			31.75	38.1								
40-50			1 1/4"	1 1/2"		1 3/4"	2"					144
			31.75	38.1		44.45	50.8					
50-80							2"	2 1/2"	3"			195
							50.8	63.5	76.2			
80-120										4"		230
										101.6		

VT2: 50-80 a = max. 63.5



VT 6

	dimensions (mm)			
	b	c	d	g
22-30	45	30	37.5	104
30-40	55	36	45.5	140
40-50	70	46	58	144
50-80	105	67	86	195
80-120	150	96	123	230



VT 7

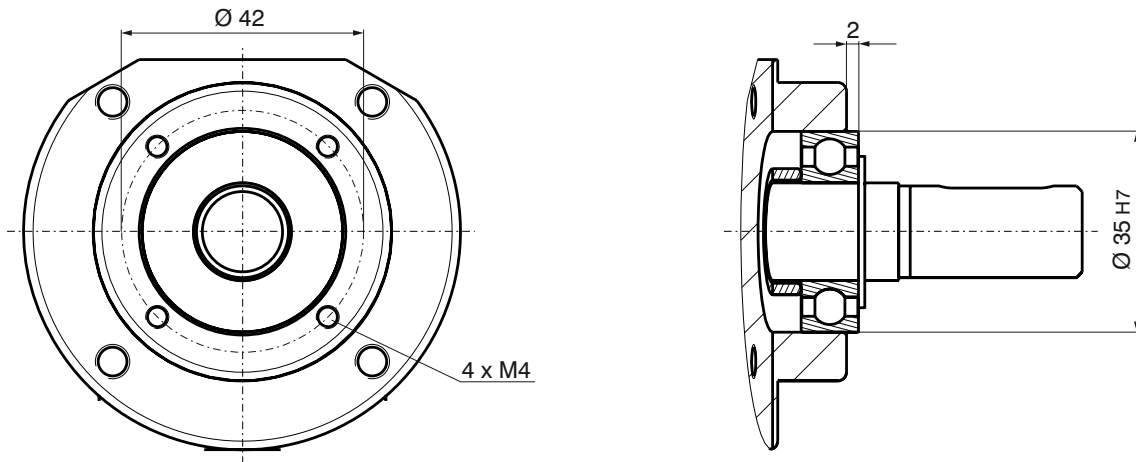
	dimensions (mm)		
	e	f F7	g
22-30	31	30	104
30-40	41	40	140
40-50	51	50	144
50-80	51	50	195.5
	81	80	195.5

Special version on customer request

Generally Safety Chucks have to be closed by hand always.

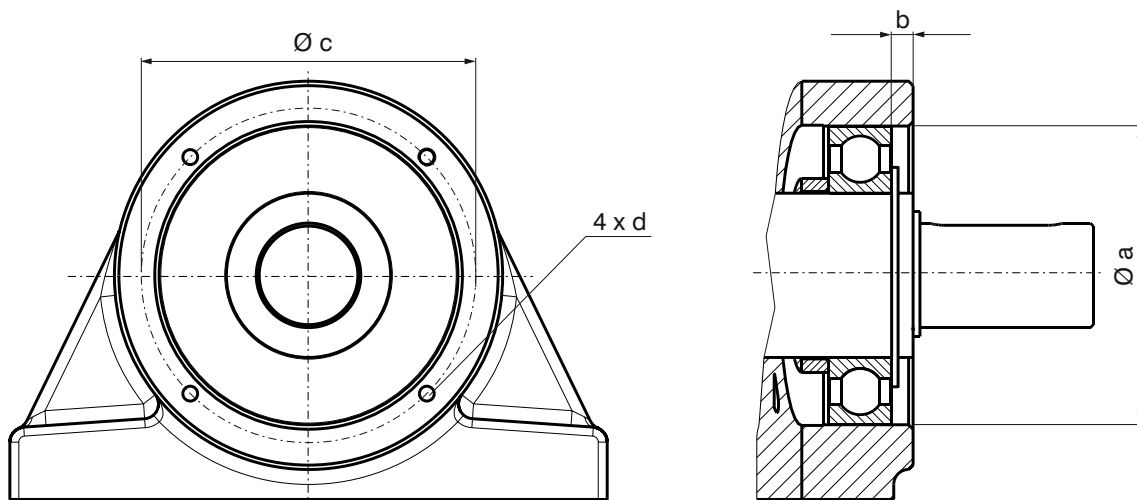
11.30 Connecting Dimensions Mini - 40-50

Connecting dimensions Mini



On using brakes and clutches bolt hole circle is Ø 42 x 4 x M5

Connecting dimensions 19-25 / 22-30 / 30-40 / 40-50



	Ø a	b	Ø c	d
19-25	47	3	56	M6
22-30	62	2	73.5	M6
30-40	80	5	93	M6
40-50	100	7.5	112	M6

On using brakes and clutches d = M8

Support

green menu
back to main menu

+ shows further
menu entries

blue menu
Please double-click
to get to index

red menu
special orders

The screenshot shows the Adobe Acrobat interface with a PDF catalog. The left sidebar contains a menu with various categories, and the right pane displays the 'Inhaltsverzeichnis' (Table of Contents) for 'Das Unternehmen' and 'Boschert-Lager'. The table of contents lists various products and their page numbers. At the bottom of the right pane, there is contact information for Boschert, including address, email, phone, and fax numbers, along with a page number '1.00'.

Section	Page
1.00 Inhaltsverzeichnis	
1.10 Das Unternehmen	1.10-1.12
2.00 Boschert-Lager	
2.00 Boschert-Lager Mini	2.00
2.10 Boschert-Lager 19-25	2.10
2.20 Boschert-Lager 22-30	2.20
2.30 Boschert-Lager 30-40	2.30
2.40 Boschert-Lager 40-50	2.40
2.50 Boschert-Lager 50-80	2.50
2.54 Aufbau Boschert C-Lager	2.54
2.55 Aufbau Boschert VT-Lager	2.55
3.00 Boschert Schiebelager	
4.20 Boschert Automatik-Lager	
4.60 Boschert Pneumatik-Lager	
5.00 Allgemeine Informationen	
6.00 Bremsen	
7.00 Rutschkupplungen	
8.00 Zubehör	
8.40 Sonderlösungen	
9.00 Formulare	
aktuelle Seite drucken	
Formular zurücksetzen	
Gehe zu vorheriger Ansicht	

To get to the catalog pages directly, please choose and click desired page in table of contents (page on right side).

Please click to blue framed text or Info-Box to get to desired page.

Version 03/2012



- neues Layout
- neu Axial- / Radialschieber
- neue Kapitel (Sicherheit & Montage, Masse & Toleranzen, Optionen, Zubehör)
- Schiebeklapplager für / mit Motorverstellung
- Bahnzugsteuerung Easy Wind



- new Layout
- new axial / radial slide
- new chapter (Safety & Assembly, Measure & Tolerance, Options, Accessoire)
- Sliding Chucks for / with motorized adjustment
- Tension control Easy Wind



- nouvel disposition
- nouvel semelle support à réglage axial / radial
- nouveau chapitre (Sécurité & Montage, Dimensions & Tolérances, Option, Accessoires)
- Palier Boschert à réglage pour / avec adaptation motorisation
- Régulateur de tension Easy Wind



- nuovo layout
- nuovo guida scorrimento assiale / radiale
- Capitolo nuovo (Sicurezza & Montaggio, Massa & Tolleranze, Opzioni, Accessori)
- Supporto scorrevole predisposto per / con regolazione assiale automatica
- Controllo tensione Easy Wind

Version 08/05



- neu Bremse „Multi“
- alle Kapitel als einzelne PDF-Dateien auf CD



- new Brake „Multi“
- all chapter as PDF file on CD



- nouveau frein „Multi“
- tous les classeurs en format PDF



- nuovo Freno „Multi“
- Tutti i capitoli in formato PDF

Version 06/06



- Schiebelager 22-30 100 mm Schiebeweg



- Sliding chuck 22-30 100 mm adjustment



- Palier Boschert à réglage 22-30 100 mm course



- Supporto scorrevole Boschert 22-30 100 mm corse