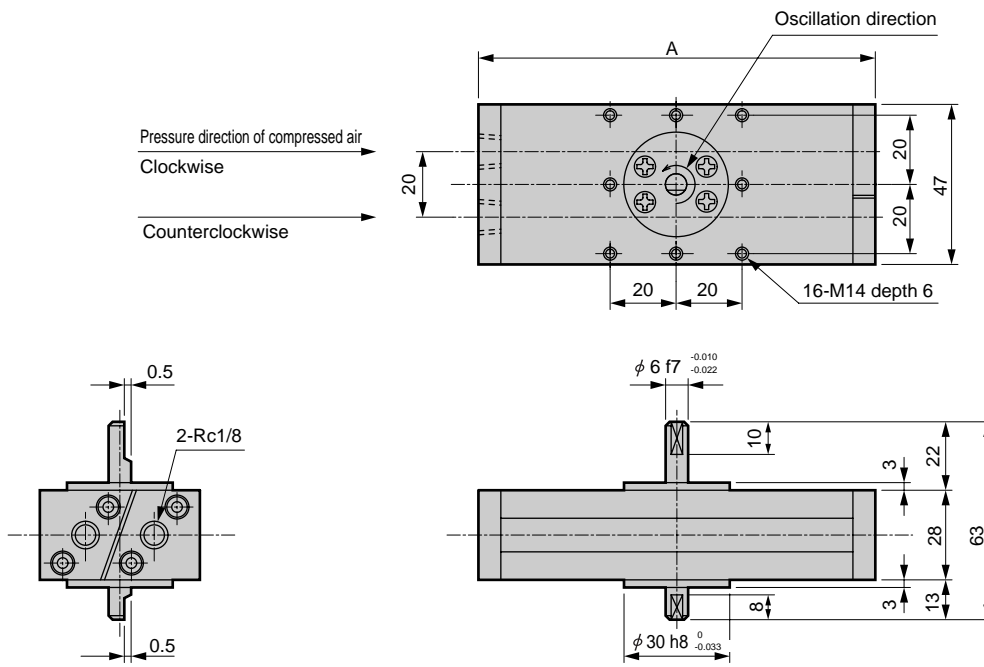


Dimensions

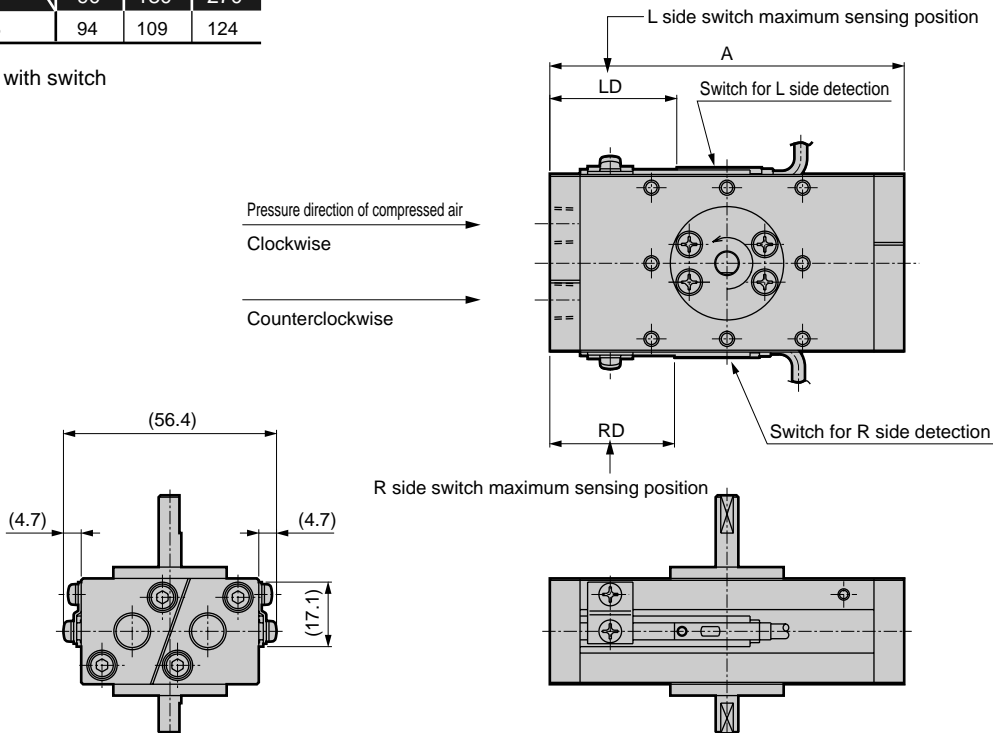


● RRC-8



Symbol	A		
	Oscillating angle		
Model no.	90°	180°	270°
RRC-8	94	109	124

● RRC-8 with switch



Symbol	A			RD														
	Oscillating angle			T1*			T2*/T3*			T0*/T5*			T8*			T2Y*/T3Y*		
	90°	180°	270°	90°	180°	270°	90°	180°	270°	90°	180°	270°	90°	180°	270°	90°	180°	270°
RRC-8	94	109	124	30.8	35.5	40.2	32.2	37	41.6	30	34.3	41	24	28.3	35	30.8	35.5	40.2

Symbol	LD														
	T1*			T2*/T3*			T0*/T5*			T8*			T2Y*/T3Y*		
	90°	180°	270°	90°	180°	270°	90°	180°	270°	90°	180°	270°	90°	180°	270°
RRC-8	30.8	35.5	40.2	32.2	37	41.6	30	34.3	41	24	28.3	35	30.8	35.5	40.2

Note: Dimensions other than above are same as the type without switch.

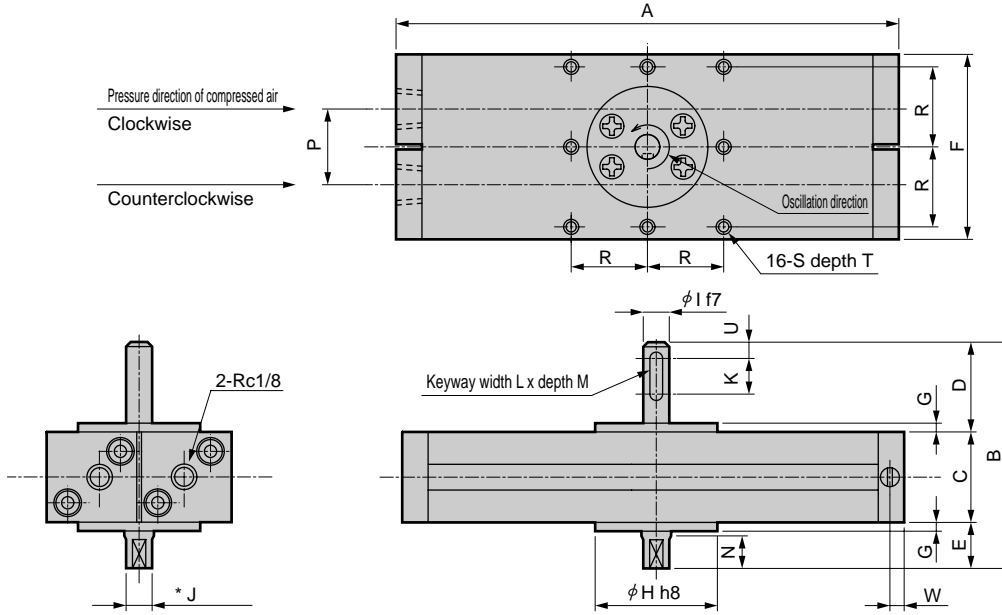
RRC
GRC
RV3*
NHS
HR
LN
FH100
HAP
BSA2
BHA/BHG
LHA
LHAG
HKP
HLA/HLB
HLAG/HLBG
HEP
HCP
HMF
HMFB
HFP
HLC
HGP
FH500
HLB
HDL
HMD
HJL
BHE
CKG
CK
CKA
CKS
CKF
CKJ
CKL2
CKL2*-HC
CKH2
CKLB2
NCK/SCK/FCK
FJ
FK
Ending

Rotary actuator
Oscillation, rotation drive type

Dimensions



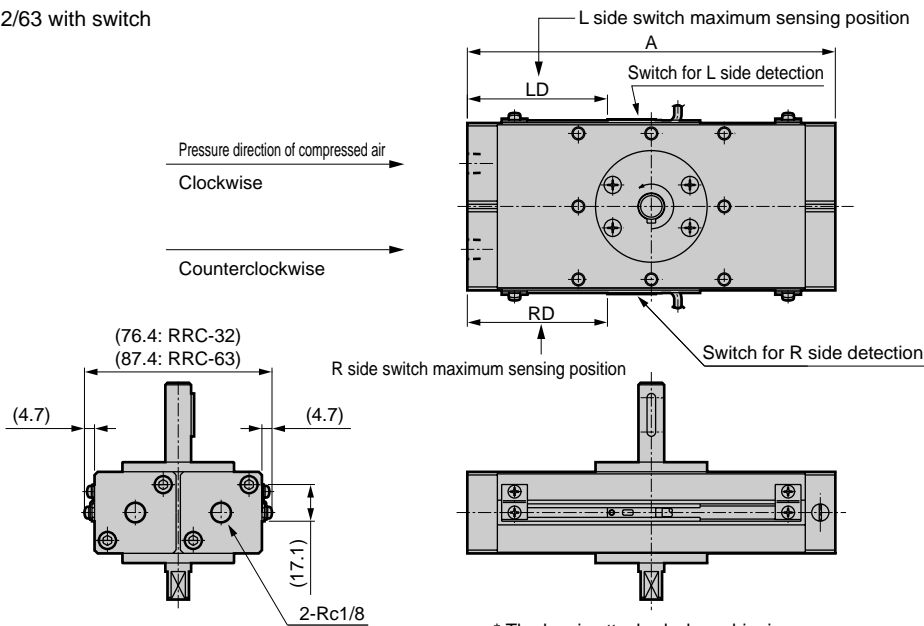
● RRC-32/63



* The key is attached when shipping.

Symbol	A			B	C	D	E	F	G	H	I	J	K	L	M	N	P	R	S	T	U	W
	Oscillating angle																					
Model no.	90°	180°	270°																			
RRC-32	153	191	229	84	33	31	20	67	3	44	10	8	13	3	1.8	10	34	29	M5	8	4.5	6
RRC-63	172	216	260	101	38	41.5	21.5	78	4.5	52	12	10	16	4	2.5	13	40	34	M6	9	7	7

● RRC-32/63 with switch



* The key is attached when shipping.

Symbol	A			RD														
	Oscillating angle			T1*			T2*/T3*			T0*/T5*			T8*			T2Y*/T3Y*		
	90°	180°	270°	90°	180°	270°	90°	180°	270°	90°	180°	270°	90°	180°	270°	90°	180°	270°
RRC-32	153	191	229	56.8	66.3	75.5	58.2	67.7	77.1	57.6	67.1	76.5	51.6	61.1	70.5	56.8	66.3	75.5
RRC-63	172	216	260	64.5	75.5	86.5	65.9	76.9	87.9	65.3	76.3	87.3	59.3	70.3	81.3	64.5	75.5	86.5

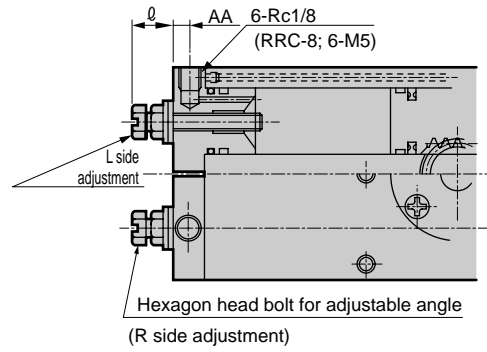
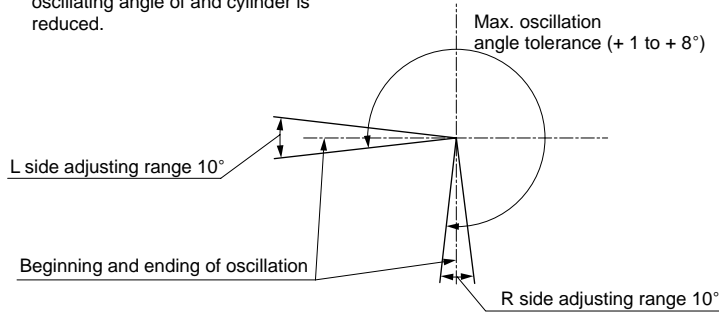
Symbol	LD														
	T1*			T2*/T3*			T0*/T5*			T8*			T2Y*/T3Y*		
	90°	180°	270°	90°	180°	270°	90°	180°	270°	90°	180°	270°	90°	180°	270°
RRC-32	56.8	66.3	75.5	58.2	67.7	77.1	57.6	67.1	76.5	51.6	61.1	70.5	56.8	66.3	75.5
RRC-63	64.5	75.5	86.5	65.9	76.9	87.9	65.3	76.3	87.3	59.3	70.3	81.3	64.5	75.5	86.5

Note: Dimensions other than above are same as the type without switch.

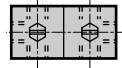
Dimensions: Option

● Adjustable angle

* When rotating hexagon head bolt for adjustable angle clockwise, oscillating angle of and cylinder is reduced.



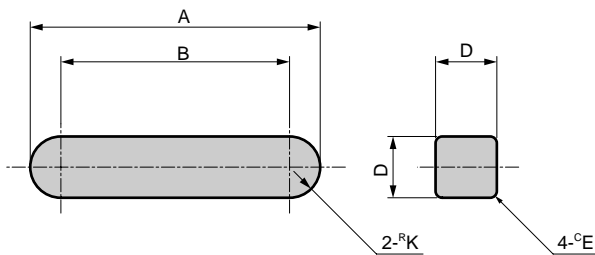
L side R side



3 port positions are provided as the figure above both on R side / L side.

Symbol Model no.	ℓ		AA	Allowable energy absorption J (For adjustable angle single 10°)	Hexagon head bolt dimension for adjustable angle (Common for R and L)
	MIN	MAX			
RRC-8	10.7	11.5	4	0.02	M5×0.5
RRC-32	13.4	15.5	6	0.06	M6×0.75
RRC-63	13.5	16.0	7	0.13	M6×0.75

● Key dimensional drawing



Model no.	Symbol	A	B	K	D	E
RRC-32		16 ^{-0.4} _{-0.5}	13	1.5	3 ⁰ _{-0.025}	0.2
RRC-63		20 ^{-0.5} _{-0.6}	16	2	4 ⁰ _{-0.030}	0.2

* The key is attached when shipping.

RRC
GRC
RV3*
NHS
HR
LN
FH100
HAP
BSA2
BHA/ BHG
LHA
LHAG
HKP
HLA/ HLB
HLAG/ HLBG
HEP
HCP
HMF
HMFB
HFP
HLC
HGP
FH500
HLB
HDL
HMD
HJL
BHE
CKG
CK
CKA
CKS
CKF
CKJ
CKL2
CKL2 *-HC
CKH2
CKLB2
NCK/ SCK/FCK
FJ
FK
Ending

Rotary actuator
Oscillation, rotation drive type