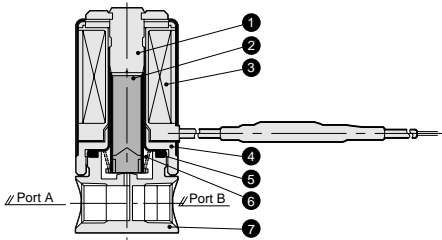


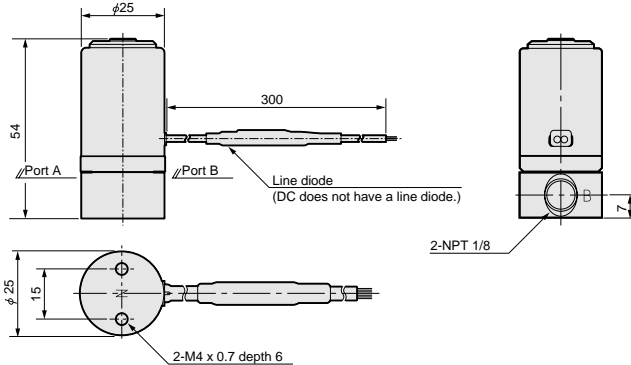
Internal structure and main parts materials



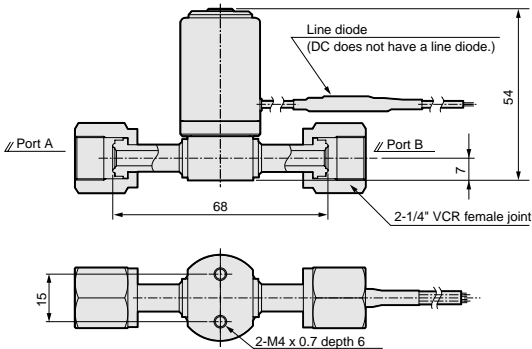
| No. | Parts name | Material |
|-----|------------------------------------|------------------|
| 1 | Core assembly tightening torque | SUS316 SUS405 |
| 2 | Plunger assembly | SUS405 FKM |
| 3 | Coil assembly | |
| 4 | Core B | SUM22 |
| 5 | O ring | FKM |
| 6 | Spring | SUS304 |
| 7 | Body | SUS303 |

Dimensions and optional dimensions

● HVB112



● VCR joint (custom order) HVB112-[8R]



Note: The DC specifications are not provided with a line diode.

HNB/G
USB/G
FAB/G
FGB/G
FVB
FWB/G
FHB
FLB
AB
AG
AP/AD
APK/
ADK
For
dry air
Explosion
proof
HVB/
HVL
SAB/
SVB
NP/NAP/
NVP
CHB/G
MXB/G
Other G.P.
systems
PD/FAD/
PJ
CVE/
CVSE
CPE/
CPD
Medical
analysis
Custom
order

Solenoid valve for high vacuum