



Manual valve for process gas OGD₂10V Series

- Metal diaphragm
- 90° rotation snap action type



Model No.	Cv flow factor	Model No.	Cv flow factor
OGD10V	Cv=0.26	OGD20V	Cv=0.6

Close the valve by turning the handle

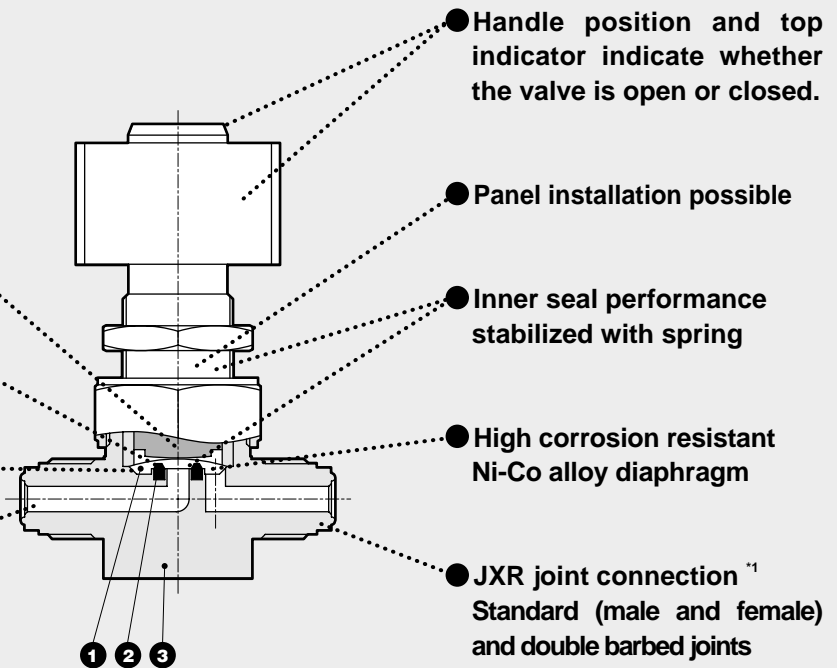
- Continuous use possible up to 80°C

- Stable inner seal performance achieved with nonrotating rod (Patent pending)

- Zero particle generation realized with optimum seal structure and improved surface roughness

- Valve dead space minimized

- Electropolished finish specifications



Materials for wetted areas

No.	Parts name	Material
1	Diaphragm	Ni-Co alloy
2	Valve seat	PCTFE
3	Body	SUS316L

*1: The JXR joint can be connected to the VCR joint.

Specifications

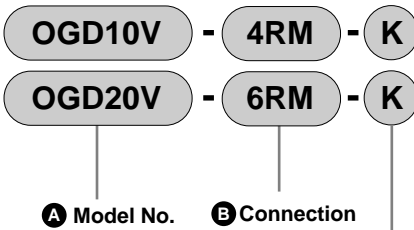
Descriptions	OGD10V	OGD20V
Working fluid	Inert gas/process gas	
Working pressure range Pa(abs)-MPa	1.3 × 10 ⁻⁶ to 1.0	
Fluid temperature °C	-10 to 80	
Ambient temperature °C	-10 to 80	
Valve seat leakage Pa·m ³ /s(He)	1.3 × 10 ⁻⁹ or less	
External leakage Pa·m ³ /s(He)	2.8 × 10 ⁻¹² or less	
Cv flow factor	0.26	0.6
Connection	1/4" JXR male joint 1/4" JXR female joint 1/4" double barbed joint	3/8" JXR male joint 3/8" JXR female joint 3/8" double barbed joint
Weight kg	0.34 *1	0.69 *1

*1: Value for OGD10V-4RM (1/4-inch JXR male joint) and OGD20V-6RM (3/8-inch JXR male joint).

⚠ Precautions

Always read page 9 in the introduction and pages 2 to 3 to ensure correct and safe use of this product.

How to order



		A Model No.	
		OGD10V	OGD20V
B Connection			
4RM	1/4" JXR male joint	●	
4R	1/4" JXR female joint	●	
4S	1/4" double barbed joint	●	
6RM	3/8" JXR male joint		●
6R	3/8" JXR female joint		●
6S	3/8" double barbed joint		●
C Handle color			
K	Black	●	●
R	Red	●	●
B	Blue	●	●
Y	Yellow	●	●

Handle color

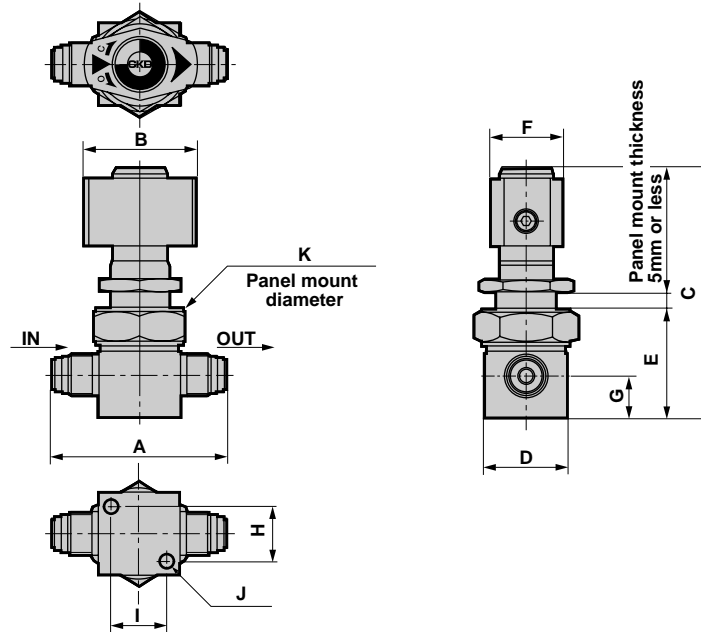


Dimensions

OGD10V-4RM-□

OGD20V-6RM-□

● JXR male joint

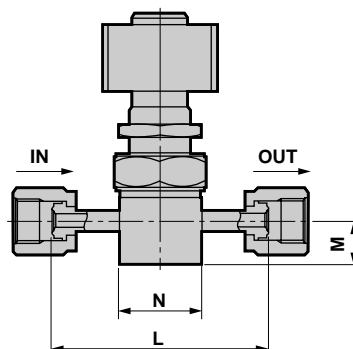


Model No. / Symbol	A	B	C	D	E	F	G	H	I	J	K
OGD10V-4RM-□	57	37	82	□27	36	24	14.3	18	18	2-M5 depth 6	ø20.5
OGD20V-6RM-□	76	47	104	□35	48	27	16	20.2	20.2	2-M5 depth 8	ø26.5

OGD10V-4R-□

OGD20V-6R-□

● JXR female joint

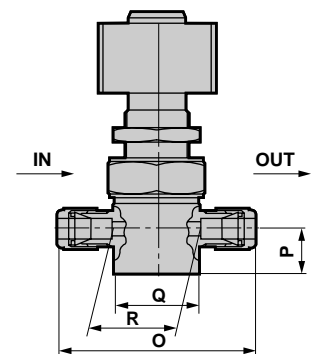


Model No. / Symbol	L	M	N
OGD10V-4R-□	70.6	14.3	□27
OGD20V-6R-□	83	16	□35

OGD10V-4S-□

OGD20V-6S-□

● Double barbed joint



Model No. / Symbol	O	P	Q	R
OGD10V-4S-□	62	14.3	□27	27.8
OGD20V-6S-□	80	16	□35	44.3